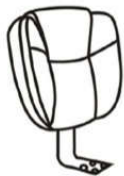


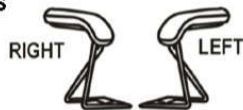
### PARTS LIST

**ATTENTION:** Before you begin to assemble the product, please make sure that all the parts are included in the package, and inspect them for damages or defects.

**(A)** X1  
Backrest



**(G)** 1 Right, 1 Left  
Arms



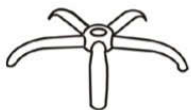
**(B)** X1  
Seat



**(H)** X10  
Screw  $\varnothing 6 \times 20 \text{mm}$



**(C)** X1  
Base



**(I)** X4  
Screw  $\varnothing 6 \times 30 \text{mm}$



**(D)** X1  
Mechanism



**(J)** X14  
Washer



**(E)** X1  
Gas Lift



**(K)** X1  
Allen Wrench



**(F)** X5  
Casters

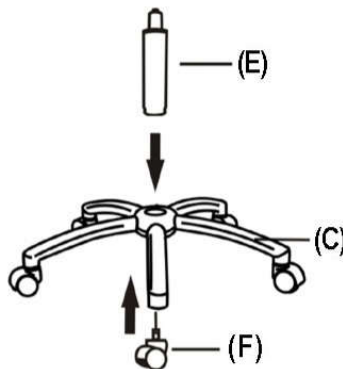


### ATTENTION:

- ⚠ To avoid misalignments, leave the screws loose and do not tighten them until all are in their respective places.
- ⚠ Do not overtighten or force the screws as they could break, strip or cause damage to the parts where they are being used.
- ⚠ Using the wrong size of screws might cause damage to parts where they are being used.

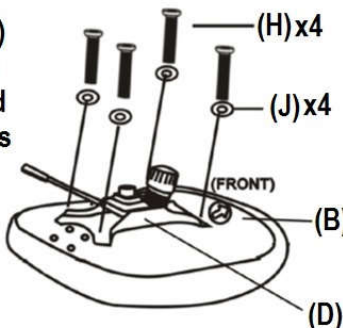
### STEP 1

Insert all the casters (F) into the base (C) using pressure, then place the gas lift (E) in the middle of the base.



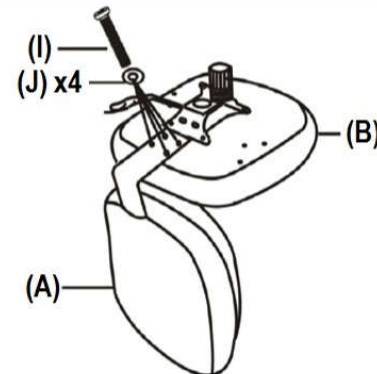
### STEP 2

Place the mechanism (D) over the seat (B) making sure the holes align, and assemble it using screws (H) and washers (J) as shown.  
NOTE: The knob on the mechanism faces towards the front.



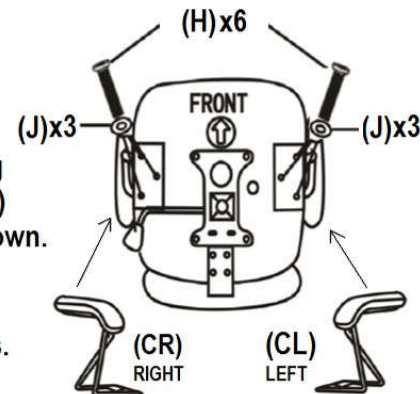
### STEP 3

Assemble the backrest (A) to the seat (B) using screws (I) and washers (J) as shown.



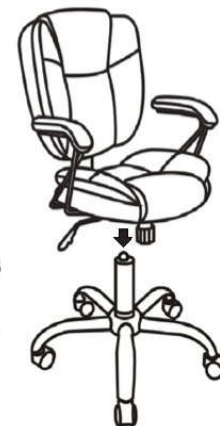
### STEP 4

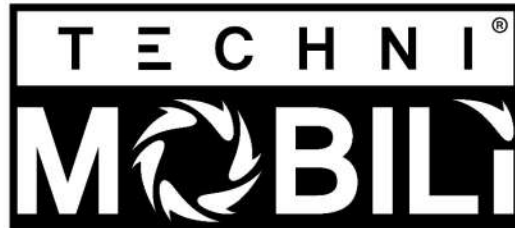
Assemble the arms (CL, CR) to the seat on their corresponding sides, using screws (H) and washers (J) as shown. Please pay attention to the correct orientation of the parts.



### STEP 5

Place the top parts over the base parts making sure the tip of the gas lift enters into the hole of the mechanism.  
Before using the chair for the first time, make sure that all screws, bolts and knobs are tightened.  
The top parts will lock onto the base by pressure after you sit on the chair.





### **LIFT AND TILT FUNCTIONS:**

- To raise or lower the chair's height: Pull the lever UP with force. The chair will go down while sitting on it, or up if you lift your body.
- Tilting function: Pull the lever OUT (horizontally) to unlock and IN to lock.
- Tilt tension control: Turn the mechanism's knob either direction to apply more or less tension to the tilting function.

### **WARNINGS:**

- Do not stand up on the chair.
- Do not use the chair as a ladder.
- Use for seating only one person at a time.
- At least every 4 months, check all bolts, screws and knobs to be sure they are tight. Do not use if parts are loose, damaged or missing.
- Failure to follow the above warnings could result in serious injury.
- Do not apply solvents or polishers directly to the chair parts to clean them. Instead, use a soft damp towel with a solution of mild soap and water.