

**WORLD  
OF POOLS**

**hydro-pro®**

# **SWIMMING POOL HEAT PUMP UNIT**

## **Installation & Instruction Manual**

<u>Part no.</u>	<u>Type</u>
7024524	P6/32
7024525	P8/32
7024526	P12/32
7024527	P14/32
7024528	P20/32
7024529	P23/32
7024530	P23T/32
7024531	P26T/32

**World Of Pools.com  
Bexley Garden Centre  
57 North Cray Road  
Sidcup  
Kent  
DA14 5EU**

**Tel: 01322 1554 1870 Email: [contact@worldofpools.com](mailto:contact@worldofpools.com)**

# CONTENTS

1. Preface .....	1
2. Specifications .....	4
2.1 Performance Data of Swimming Pool Heat Pump Unit.....	4
2.2 Dimensions for Swimming Pool Heat Pump Unit .....	8
3. Installation and Connection .....	9
3.1 Installation illustration .....	9
3.2 Swimming Pool Heat Pumps Location .....	11
3.3 How Close to Your Pool? .....	11
3.4 Swimming Pool Heat Pumps Plumbing .....	12
3.5 Swimming Pool Heat Pumps Electrical Wiring .....	13
3.6 Initial Start-up of the Unit .....	13
4. Use and Operation Instruction of Wire Controller .....	14
4.1 Function of controller .....	14
4.2 The controller usage .....	16
4.3 Parameter table .....	23
4.4 Connection of PCB illustration.....	24
5. Maintenance and Inspectio .....	25
6. Appendix .....	31
6.1 Circuit diagram .....	31
6.2 Cable specification .....	34
6.3 Comparison table of refrigerant saturation temperature.....	35

# 1. PREFACE

---

In order to provide our customers with quality, reliability and versatility, this product has been made to strict production standards. This manual includes all the necessary information about installation, debugging, discharging and maintenance. Please read this manual carefully before you open or maintain the unit. The manufacture of this product will not be held responsible if someone is injured or the unit is damaged, as a result of improper installation, debugging, or unnecessary maintenance. It is vital that the instructions within this manual are adhered to at all times. The unit must be installed by qualified personnel.

The unit can only be repaired by qualified installer centre , personnel or an authorised dealer.

Maintenance and operation must be carried out according to the recommended time and frequency, as stated in this manual.

Use genuine standard spare parts only.

Failure to comply with these recommendations will invalidate the warranty.

Swimming Pool Heat Pump Unit heats the swimming pool water and keeps the temperature constant. For split type unit, The indoor unit can be Discretely hidden or semi-hidden to suit a luxury house.

Our heat pump has following characteristics:

## 1 Durable

The heat exchanger is made of PVC & Titanium tube which can withstand prolonged exposure to swimming pool water.

## 2 Installation flexibility

The unit can be installed outdoors or indoors.

## 3 Quiet operation

The unit comprises an efficient rotary/ scroll compressor and a low-noise fan motor, which guarantees its quiet operation.

## 4 Advanced controlling

The unit includes micro-computer controlling, allowing all operation parameters to be set. Operation status can be displayed on the LCD wire controller. Remote controller can be chosen as future option.

## WARNING

It is recommended that your pool filtration pump and your heat pump are wired independently. Wiring your pool pump into the heat pump will result in your filtration being switched off once the pool water has reached temperature. Only wire the pool pump through the heat pump if you have a pool pump for heating only that is independent to your pool filtration system.

Do not use means to accelerate the defrosting process or to clean, Other than those recommended by the manufacturer.

The appliance shall be stored in a room without continuously operating ignition sources (for example: open flames, an operating gas appliance or an operating electric heater.)

Do not pierce or burn.

Be aware that refrigerants may not contain an odour,

Appliance shall be installed, operated and stored in a room with a floor area larger than 30m<sup>2</sup>.

NOTE The manufacturer may provide other suitable examples or may provide additional information about the refrigerant odour.



# 1. PREFACE

---

This appliance can be used by children aged from 8 years and above and persons with reduced physical, sensory or mental capabilities or lack of experience and knowledge if they have been given supervision or instruction concerning use of the appliance in a safe way and understand the hazards involved. Children shall not play with the appliance. Cleaning and user maintenance shall not be made by children without supervision.

If the supply cord is damaged, it must be replaced by the manufacturer, its service agent or similarly qualified persons in order to avoid a hazard.

The appliance shall be installed in accordance with national wiring regulations.

Do not operate your air conditioner in a wet room such as a bathroom or laundry room.

Before obtaining access to terminals, all supply circuits must be disconnected.

An all-pole disconnection device which has at least 3mm clearances in all poleV , DQG have a leakage current that may exceed 10mA, WKH residual current device (RCD) having a rated residual operating current not exceeding 30mA, DQG disconnection must be incorporated in the fixed wiring in accordance with the wiring rules.

Do not use means to accelerate the defrosting process or to clean, other than those recommended by the manufacturer

The appliance shall be stored in a room without continuously operating ignition sources (for example: open flames, an operating gas appliance or an operating electric heater.)

Do not pierce or burn

Appliance shall be installed, operated and stored in a room with a floor area larger than 30 m<sup>2</sup>  
Be aware that refrigerants may not contain an odour.

The installation of pipe-work shall be kept to a minimum 30 m<sup>2</sup>

Spaces where refrigerant pipes shall be compliance with national gas regulations.

Serviceing shall be performed only as recommended by the manufacturer.

The appliance shall be stored in a well-ventilated area where the room size corresponds to the room area as specified for operation.

All working procedure that affets safety means shall only be carried by competent persons.

Transport of equipment containing flammable refrigerants

Compliance with the transport regulations

Marking of equipment using signs

Compliance with local regulations

Disposal of equipment using flammable refrigerants

Compliance with national regulations

Storage of equipment/appliances

The storage of equipment should be in accordance with the manufacturer's instructions.

Storage of packed (unsold) equipment

Storage package protection should be constructed such that mechanical damage to the equipment inside the package will not cause a leak of the refrigerant charge.

The maximum number of pieces of equipment permitted to be stored together will be determined by local regulations.

# 1. PREFACE

---

## Caution & Warning

1. The unit can only be repaired by qualified installer centre personnel or an authorised dealer. ( for Europe market )
2. This appliance is not intended for use by persons (including children) with reduced physical sensory or mental capabilities, or lack of experience and knowledge, unless they have been given supervision or instruction concerning use of the appliance by a person responsible for their safety. ( for Europe market )  
Children should be supervised to ensure that they do not play with the appliance.
3. Please make sure that the unit and power connection have good earthing, otherwise may cause electrical shock.
4. If the supply cord is damaged, it must be replaced by the manufacturer or our service agent or similarly qualified person in order to avoid a hazard.
5. Directive 2002/96/EC (WEEE):  
The symbol depicting a crossed-out waste bin that is underneath the appliance indicates that this product, at the end of its useful life, must be handled separately from domestic waste, must be taken to a recycling centre for electric and electronic devices or handed back to the dealer when purchasing an equivalent appliance.
6. Directive 2002/95/EC (RoHs): This product is compliant with directive 2002/95/EC (RoHs) concerning restrictions for the use of harmful substances in electric and electronic devices.
7. The unit CANNOT be installed near the flammable gas. Once there is any leakage of the gas , fire can be occur.
8. Make sure that there is circuit breaker for the unit, lack of circuit breaker can lead to electrical shock or fire.
9. The heat pump located inside the unit is equipped with an over-load protection system. It does not allow for the unit to start for at least 3 minutes from a previous stoppage.
10. The unit can only be repaired by the qualified personnel of an installer center or an authorized dealer. ( for North America market )
11. Installation must be performed in accordance with the NEC/CEC by authorized person only. ( for North America market )
12. USE SUPPLY WIRES SUITABLE FOR 75°C.
13. Caution: Single wall heat exchanger, not suitable for potable water connection.

## 2.SPECIFICATION

### 2.1 Performance data of Swimming Pool Heat Pump Unit

\*\*\* REFRIGERANT : R32

UNIT		P6/32	P8/32
Part nr.		7024524	7024525
Heating capacity (A27/W26 )	kW	5.81	8.31
	Btu/h	19754	28254
Heating Power Input	kW	0.99	1.31
COP		5.87	6.34
Heating capacity (A15/W26 )	kW	4.12	5.71
	Btu/h	14008	19414
Heating Power Input	kW	0.97	1.32
COP		4.25	4.33
Power Supply		220-240V ~ /50Hz	220-240V ~ /50Hz
Compressor Quantity		1	1
Compressor		rotary	rotary
Fan Number		1	1
Fan Power Input	W	90	90
Fan Rotate Speed	RPM	840	850
Fan Direction		horizontal	horizontal
Noise	dB(A)	50	52
Water Connection	mm	50	50
Water Flow Volume	m <sup>3</sup> /h	2.3	3.0
Water Pressure Drop(max)	kPa	2.4	3.2
Unit Net Dimensions(L/W/H)	mm	See the drawing of the units	
Unit Ship Dimensions(L/W/H)	mm	See package lable	
Net Weight	kg	see nameplate	
Shipping Weight	kg	see package label	

Heating: Outdoor air temp: 27°C/24.3°C, Inlet water temp:26°C

Outdoor air temp: 15°C/12°C, Inlet water temp:26°C

Operating range:

Ambient temperature:-7—43°C

Water temperature:9-40°C

## 2.SPECIFICATION

### 2.1 Performance data of Swimming Pool Heat Pump Unit

\*\*\* REFRIGERANT : R32

UNIT		P12/32	P14/32
Part nr.		7024526	7024527
Heating capacity (A27/W26 )	kW	11.5	13.5
	Btu/h	39000	45900
Heating Power Input	kW	1.95	2.35
COP		5.90	5.74
Heating capacity (A15/W26 )	kW	7.8	9.8
	Btu/h	27200	33320
Heating Power Input	kW	1.7	2.17
COP		4.59	4.52
Power Supply		220-240V ~ /50Hz	220-240V ~ /50Hz
Compressor Quantity		1	1
Compressor		rotary	rotary
Fan Number		1	1
Fan Power Input	W	90	120
Fan Rotate Speed	RPM	850	850
Fan Direction		horizontal	horizontal
Noise	dB(A)	54	54
Water Connection	mm	50	50
Water Flow Volume	m <sup>3</sup> /h	4.5	5.3
Water Pressure Drop(max)	kPa	3.5	10
Unit Net Dimensions(L/W/H)	mm	See the drawing of the units	
Unit Ship Dimensions(L/W/H)	mm	See package lable	
Net Weight	kg	see nameplate	
Shipping Weight	kg	see package label	

Heating: Outdoor air temp: 27°C/24.3°C, Inlet water temp:26°C  
 Outdoor air temp: 15°C/12°C, Inlet water temp:26°C

Operating range:

Ambient temperature:-7—43°C  
 Water temperature:9-40°C

## 2.SPECIFICATION

### 2.1 Performance data of Swimming Pool Heat Pump Unit

\*\*\* REFRIGERANT : R32

UNIT		P20/32	P23/32
Part nr.		7024528	7024529
Heating capacity (A27/W26 )	kW	19.5	23.1
	Btu/h	66300	78540
Heating Power Input	kW	3.10	3.6
COP		6.30	6.42
Heating capacity (A15/W26 )	kW	13.8	16.2
	Btu/h	46920	55080
Heating Power Input	kW	2.87	3.2
COP		4.81	5.06
Power Supply		220-240V ~ /50Hz	220-240V ~ /50Hz
Compressor Quantity		1	1
Compressor		rotary	rotary
Fan Number		1	2
Fan Power Input	W	150	120x2
Fan Rotate Speed	RPM	850	850
Fan Direction		horizontal	horizontal
Noise	dB(A)	54	58
Water Connection	mm	50	50
Water Flow Volume	m <sup>3</sup> /h	6.8	7.5
Water Pressure Drop(max)	kPa	20	28
Unit Net Dimensions(L/W/H)	mm	See the drawing of the units	
Unit Ship Dimensions(L/W/H)	mm	See package lable	
Net Weight	kg	see nameplate	
Shipping Weight	kg	see package label	

Heating: Outdoor air temp: 27°C/24.3°C, Inlet water temp:26°C

Outdoor air temp: 15°C/12°C, Inlet water temp:26°C

Operating range:

Ambient temperature:-7—43°C

Water temperature:9-40°C



## 2.SPECIFICATION

### 2.1 Performance data of Swimming Pool Heat Pump Unit

\*\*\* REFRIGERANT : R32

UNIT		P23T/32	P26T/32
Part nr.		7024530	7024531
Heating capacity (A27/W26 )	kW	23.1	25.80
	Btu/h	78540	87720
Heating Power Input	kW	3.6	4.10
COP		6.42	6.29
Heating capacity (A15/W26 )	kW	16.2	19.10
	Btu/h	55080	64940
Heating Power Input	kW	3.2	3.75
COP		5.06	5.09
Power Supply		380-400V/3N ~ /50Hz	380-400V/3N ~ /50Hz
Compressor Quantity		1	1
Compressor		rotary	rotary
Fan Number		2	2
Fan Power Input	W	120x2	180x2
Fan Rotate Speed	RPM	850	850
Fan Direction		horizontal	horizontal
Noise	dB(A)	58	58
Water Connection	mm	50	50
Water Flow Volume	m <sup>3</sup> /h	7.5	9.0
Water Pressure Drop(max)	kPa	28	28
Unit Net Dimensions(L/W/H)	mm	See the drawing of the units	
Unit Ship Dimensions(L/W/H)	mm	See package lable	
Net Weight	kg	see nameplate	
Shipping Weight	kg	see package label	

Heating: Outdoor air temp: 27°C/24.3°C, Inlet water temp:26°C

Outdoor air temp: 15°C/12°C, Inlet water temp:26°C

Operating range:

Ambient temperature:-7—43°C

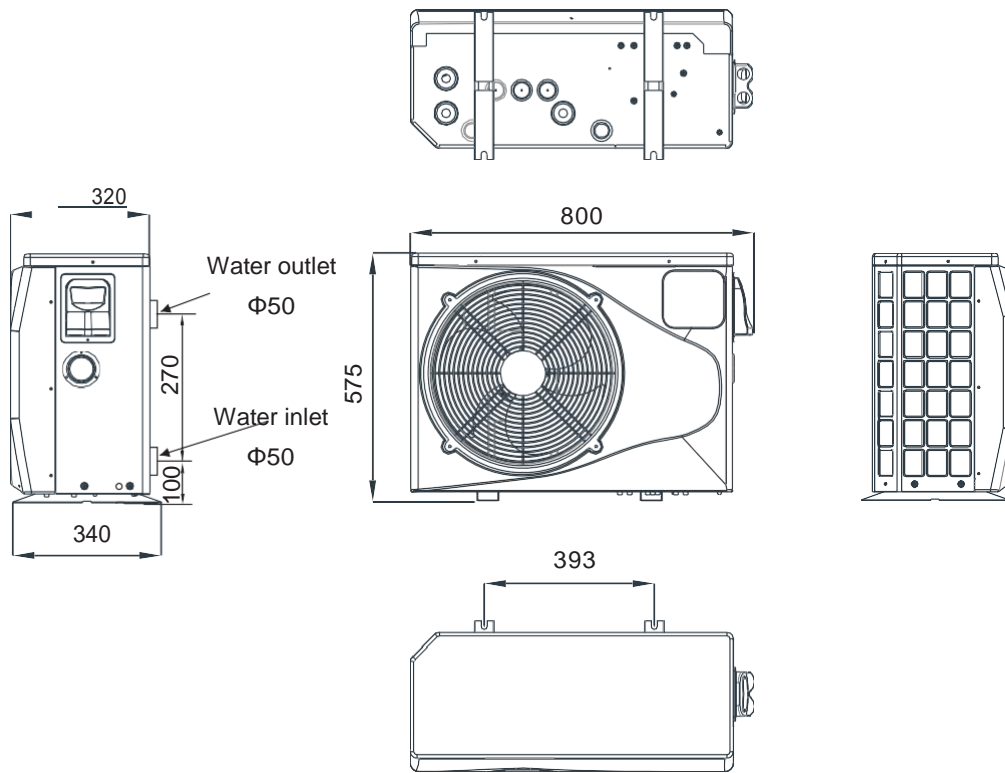
Water temperature:9-40°C

## 2.SPECIFICATION

### 2.2 The dimensions for Swimming Pool Heat Pump Unit

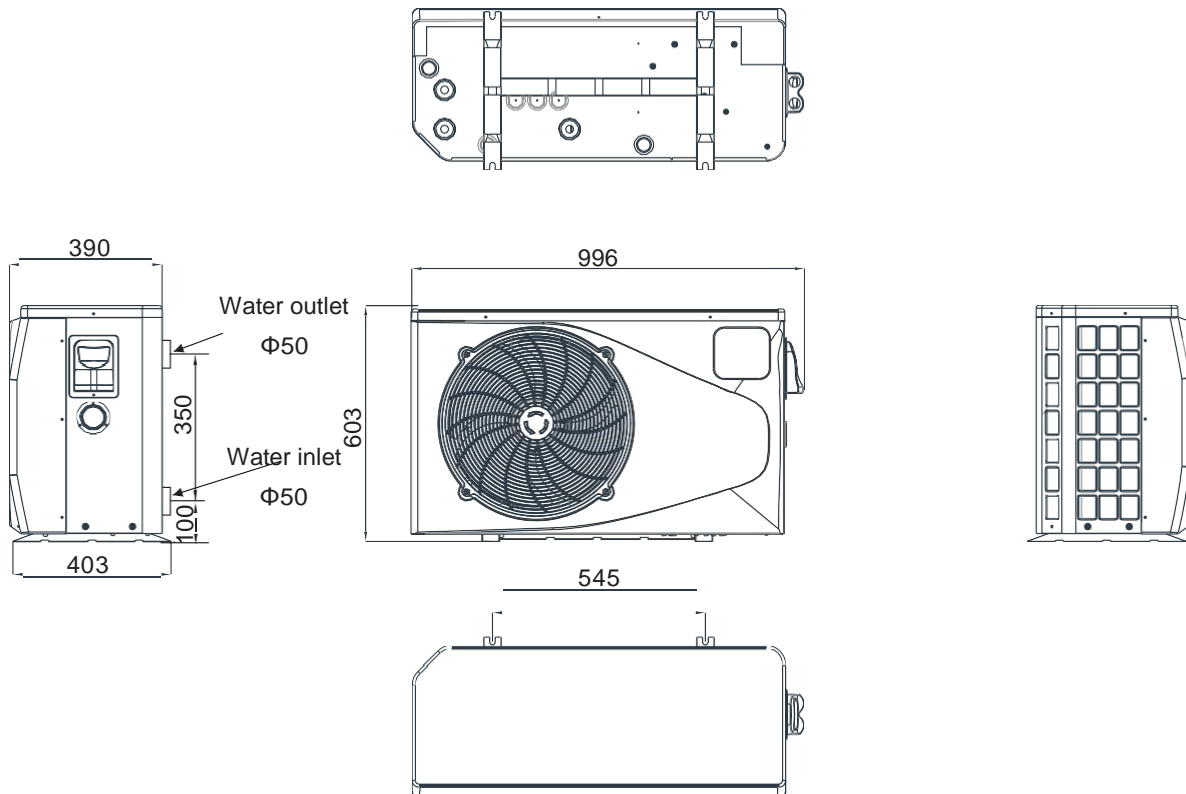
UNIT: P6/32

unit : mm



UNIT: P8/32/P12/32

unit : mm

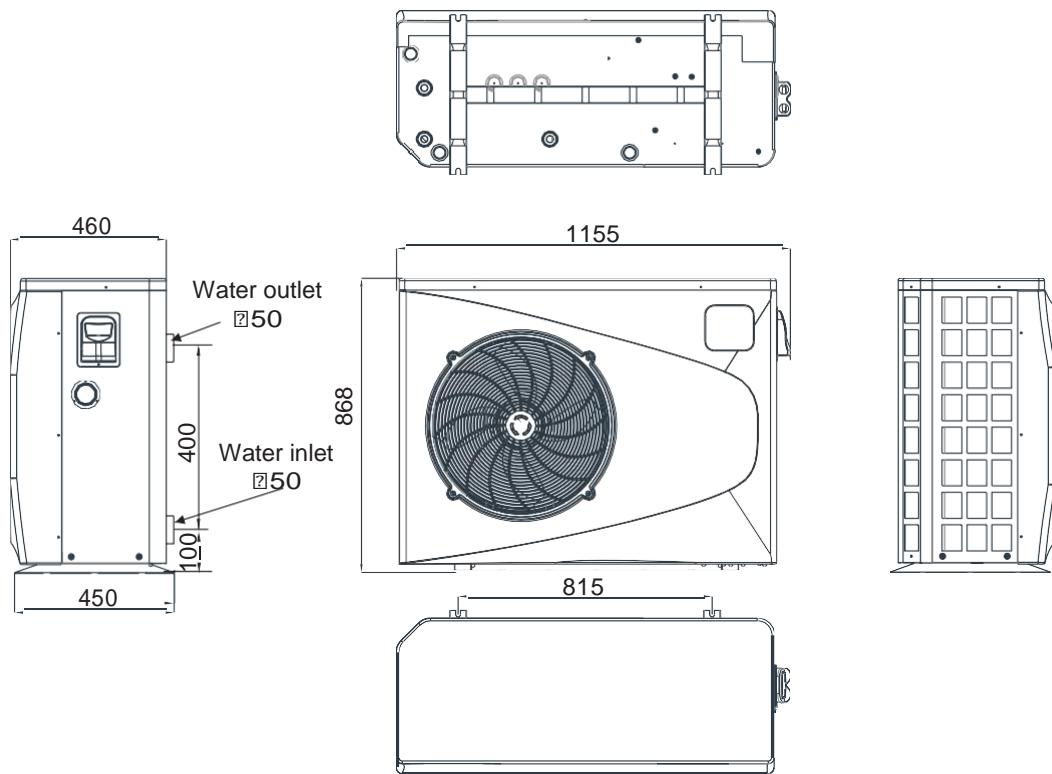


## 2.SPECIFICATION

### 2.2 The dimensions for Swimming Pool Heat Pump Unit

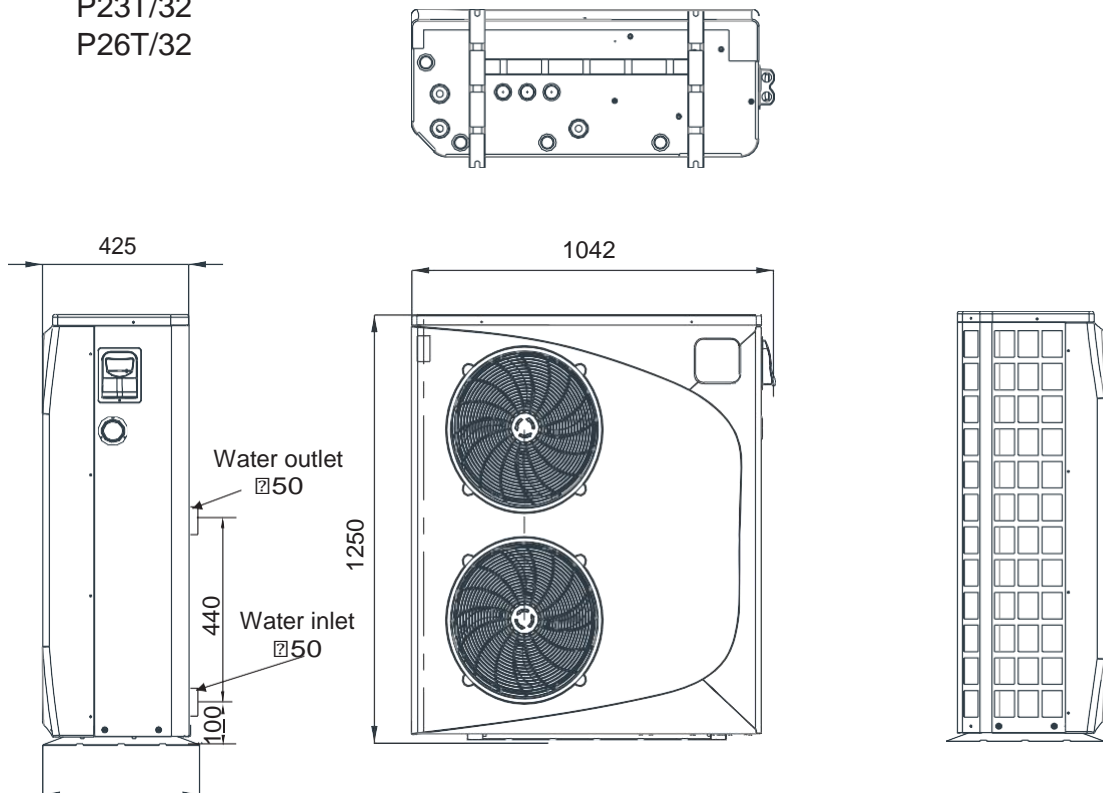
UNIT: P14/32  
P20/32

unit+mm



UNIT: P23/32  
P23T/32  
P26T/32

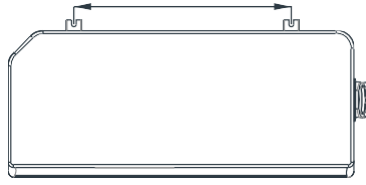
unit+mm



## 2.SPECIFICATION

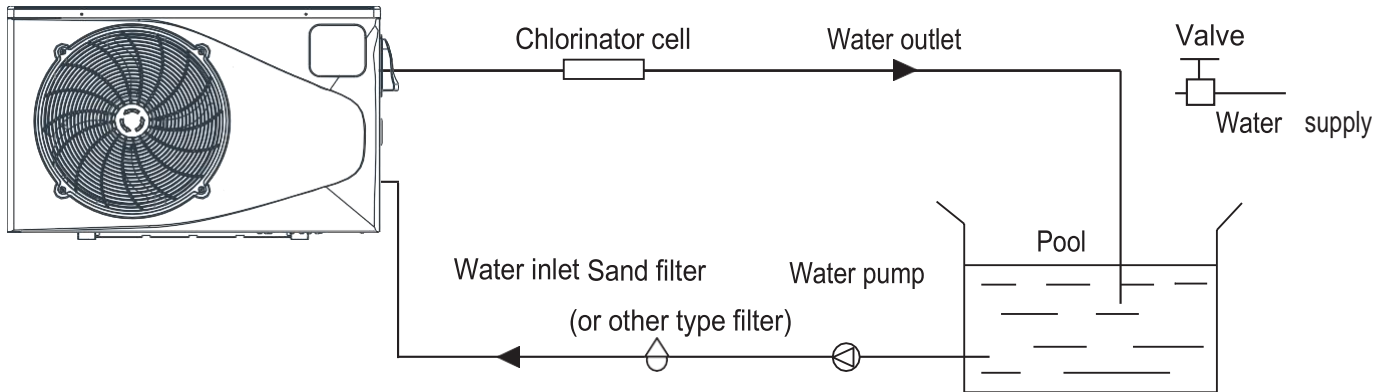
---

455



# 3.INSTALLATION AND CONNECTION

## 3.1 Installation illustration



### Installation items:

The factory only provides the main unit and the water unit; the other items in the illustration are necessary spare parts for the water system, that provided by users or the installer.

### Attention:

Please follow these steps when using for the first time

- 1.Open valve and charge water.
- 2.Make sure that the pump and the water-in pipe have been filled with water.
- 3.Close the valve and start the unit.

ATTN: It is necessary that the water-in pipe is higher than the pool surface.

The schematic diagram is for reference only. Please check the water inlet/outlet label on the heat pump while plumbing installation.

The schematic diagram is for reference only. Please check the water inlet/outlet label on the heat pump while plumbing installation.

The controller is mounted on the wall

## 3.INSTALLATION AND CONNECTION

### 3.2 Swimming Pool Heat Pumps Location

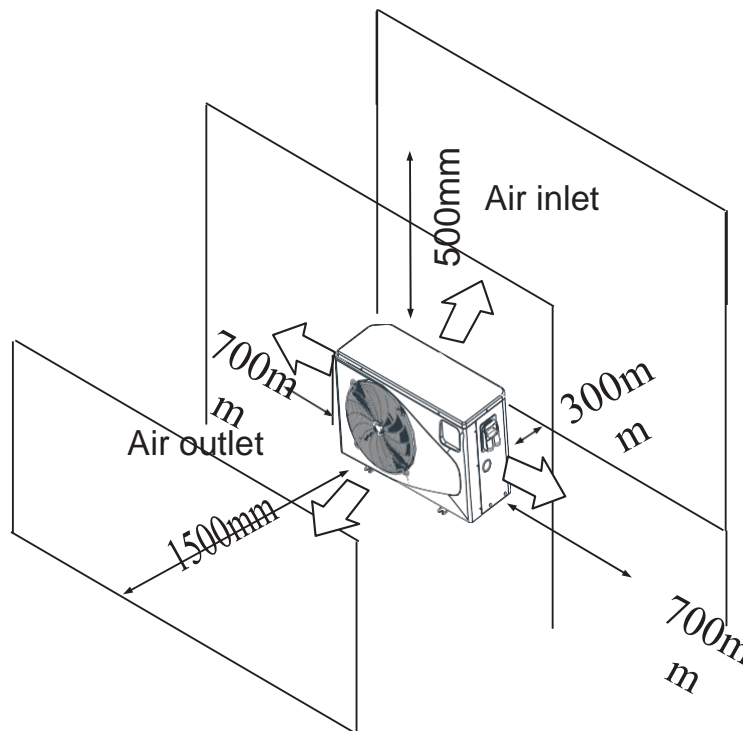
The unit will perform well in any outdoor location provided that the following three factors are presented:

1. Fresh Air - 2. Electricity - 3. Pool filter piping

The unit may be installed virtually anywhere outdoors. For indoor pools please consult the supplier. Unlike a gas heater, it has no draft or pilot light problem in a windy area.

DO NOT place the unit in an enclosed area with a limited air volume, where the units discharge air will be re-circulated.

DO NOT place the unit to shrubs which can block air inlet. These locations deny the unit of a continuous source of fresh air which reduces its efficiency and may prevent adequate heat delivery.



### 3.3 How Close To Your Pool?

Normally, the pool heat pump is installed within 7.5 metres of the pool. The longer the distance from the pool, the greater the heat loss from the piping. For the most part, the piping is buried. Therefore, the heat loss is minimal for runs of up to 15 metres (15 metres to and from the pump = 30 metres total), unless the ground is wet or the water table is high. A very rough estimate of heat loss per 30 metres is 0.6 kW-hour, (2000 BTU) for every 5 °C difference in temperature between the pool water and the ground surrounding the pipe, which translates to about 3% to 5% increase in run time.

# 3.INSTALLATION AND CONNECTION

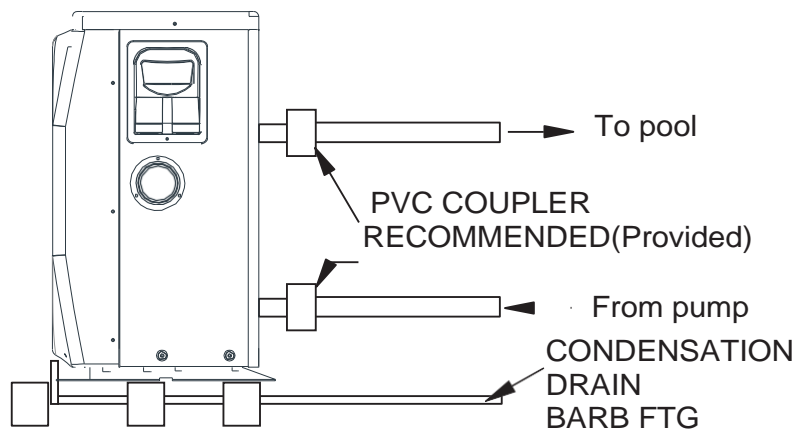
## 3.4 Swimming Pool Heat Pumps Plumbing

The Swimming Pool Heat Pumps exclusive rated flow titanium heat exchanger requires no special plumbing arrangements except bypass(please set the flow rate according to the nameplate). The water pressure drop is less than 10kPa at max. Flow rate. Since there is no residual heat or flame Temperatures, The unit does not need copper heat sink piping. PVC pipe can be run straight into the unit.

Location: Connect the unit in the pool pump discharge (return) line downstream of all filter and pool pumps, and upstream of any chlorinators, ozonators or chemical pumps.

Standard model have slip glue fittings which accept 32mm or 50 mm PVC pipe for connection to the pool or spa filtration piping. By using a 50 NB to 40NB you can plumb 40NB

Give serious consideration to adding a quick coupler fitting at the unit inlet and outlet to allow easy draining of unit for winterizing and to provide easier access should servicing be required.



Condensation: Since the Heat pump cools down the air about 4 -5°C, water may condense on the fins of the horseshoe shaped evaporator. If the relative humidity is very high, this could be as much as several litres an hour. The water will run down the fins into the basepan and drain out through the barbed plastic condensation drain fitting on the side of the basepan. This fitting is designed to accept 20mm clear vinyl tubing which can be pushed on by hand and run to a suitable drain. It is easy to mistake the condensation for a water leak inside the unit.

NB: A quick way to verify that the water is condensation is to shut off the unit and keep the pool pump running. If the water stops running out of the basepan, it is condensation. AN EVEN QUICKER WAY IS to TEST THE DRAIN WATER FOR CHLORINE - if there is no chlorine present, then it's condensation.

## 3.INSTALLATION AND CONNECTION

---

### 3.5 Swimming Pool Heat Pumps Electrical Wiring

NOTE: Although the unit heat exchanger is electrically isolated from the rest of the unit, it simply prevents the flow of electricity to or from the pool water. Grounding the unit is still required to protect you against short circuits inside the unit. Bonding is also required.

The unit has a separate molded-in junction box with a standard electrical conduit nipple already in place. Just remove the screws and the front panel, feed your supply lines in through the conduit nipple and wire-nut the electric supply wires to the three connections already in the junction box (four connections if three phase). To complete electrical hookup, connect Heat Pump by electrical conduit, UF cable or other suitable means as specified (as permitted by local electrical authorities) to a dedicated AC power supply branch circuit equipped with the proper circuit breaker, disconnect or time delay fuse protection.

Disconnect - A disconnect means (circuit breaker , fused or un-fused switch) should be located within sight of and readily accessible from the unit, This is common practice on commercial and residential air conditioners and heat pumps. It prevents remotely-energizing unattended equipment and permits turning off power at the unit while the unit is being serviced.

### 3.6 Initial startup of the Unit

NOTE- In order for the unit to heat the pool or spa, the filter pump must be running to circulate water through the heat exchanger.

Start up Procedure - After installation is completed, you should follow these steps:

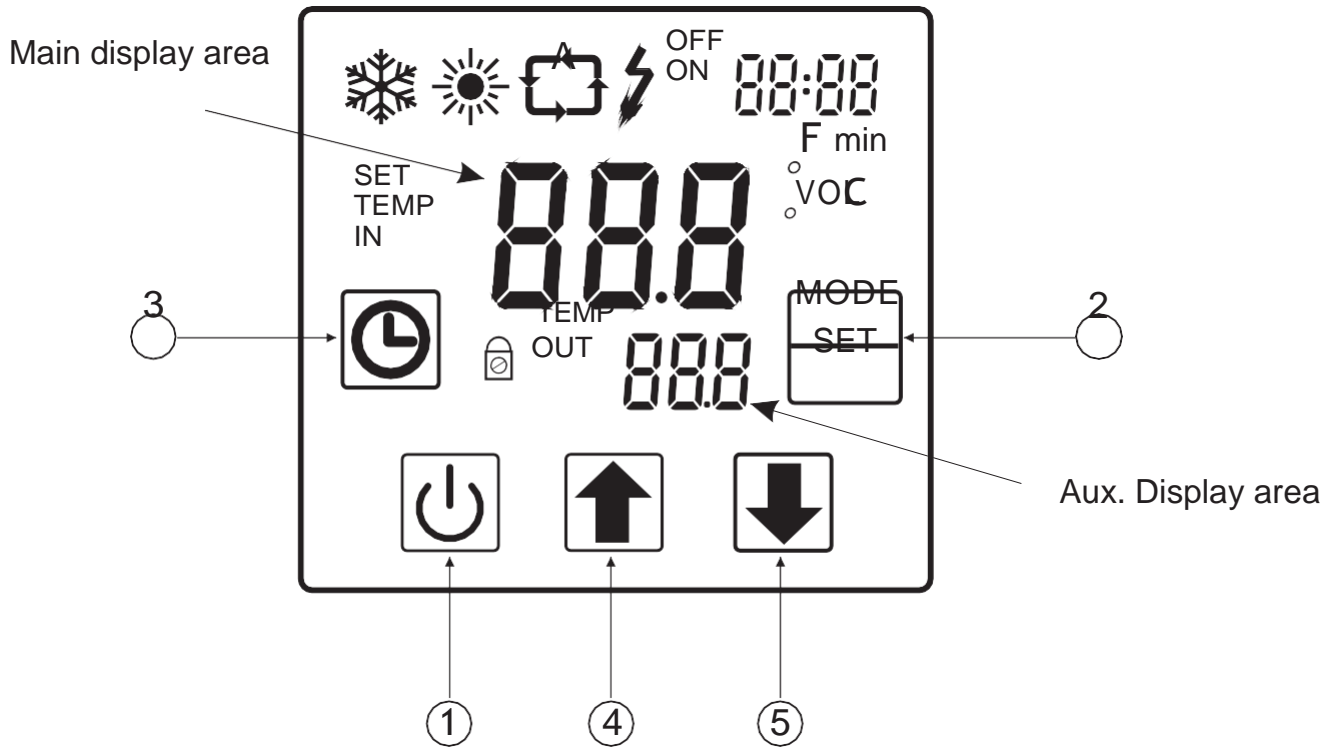
1. Turn on your filter pump. Check for water leaks and verify flow to and from the pool.
2. Turn on the electrical power supply to the unit, then press the key ON/OFF of wire controller, It should start in several seconds.
3. After running a few minutes make sure the air leaving the top(side) of the unit is cooler(Between 5-10 °C)
4. With the unit operating turn the filter pump off. The unit should also turn off automatically,
5. Allow the unit and pool pump to run 24 hours per day until desired pool water temperature is reached. When the water-in temperature reaches this setting, the unit will slow down for a period of time, if the temperature is maintained for 45 minutes the unit will turn off. The unit will now automatically restart (as long as your pool pump is running)when the pool temperature drops more than 0.2 below set temperature.

Time Delay- The unit is equipped with a 3 minute built-in solid state restart delay included to protect control circuit components and to eliminate restart cycling and contactor chatter. This time delay will automatically restart the unit approximately 3 minutes after each control circuit interruption. Even a brief power interruption will activate the solid state 3 minute restart delay and prevent the unit from starting until the 5 minute countdown is completed.



# 4. Use and Operation Instruction of Wire Controller






## 4.1. Function of controller



### 1 ) Button function

NO	Symbol	Name	Function
①		On/off	Press this button can start up or shut down the unit, cancel the current operation or back to the upper interface
②		Mode	Press this button can switch modes or save parameter setting.
③		Clock	Press this button can set the clock and timer
④		Up	Press this button can move up or increase parameter value.
⑤		Down	Press this button can move down or decrease the parameter value.

## 4. Use and Operation Instruction of Wire Controller

Symbol	Meaning	Function
	Cooling	It is showed when the unit in cooling mode.
	Heating	It is showed when the unit in heating mode and flashed in defrosting.
	Automatic	It is showed when the unit in automatic mode.
	Electric-heating	It is showed when the unit in electric-heating mode. (Swimming pool unit without this display )
ON	Timer on	It is showed when the unit sets the timer on
OFF	Timer off	It is showed when the unit sets the timer off
IN	Inlet water	It is showed when the main display area gives the inlet water temperature.(measured value)
OUT	Outlet water	It is showed when the AUX display area gives the outlet water temperature.(measured value)
TEMP	Temperature	It is showed when the main/ AUX display area gives temperature
VOL	Flow	It is showed when the main display area gives the water flow value
min	Minute	It is showed when the main display area gives minute value
°F	Fahrenheit	It is showed when the main/AUX display area gives Fahrenheit value
°C	Centigrade	It is showed when the main/AUX display area gives centigrade value
SET	Parameter setting	It is showed when the parameter can be setted.
	Lock	It is showed when the keyboard is locked.

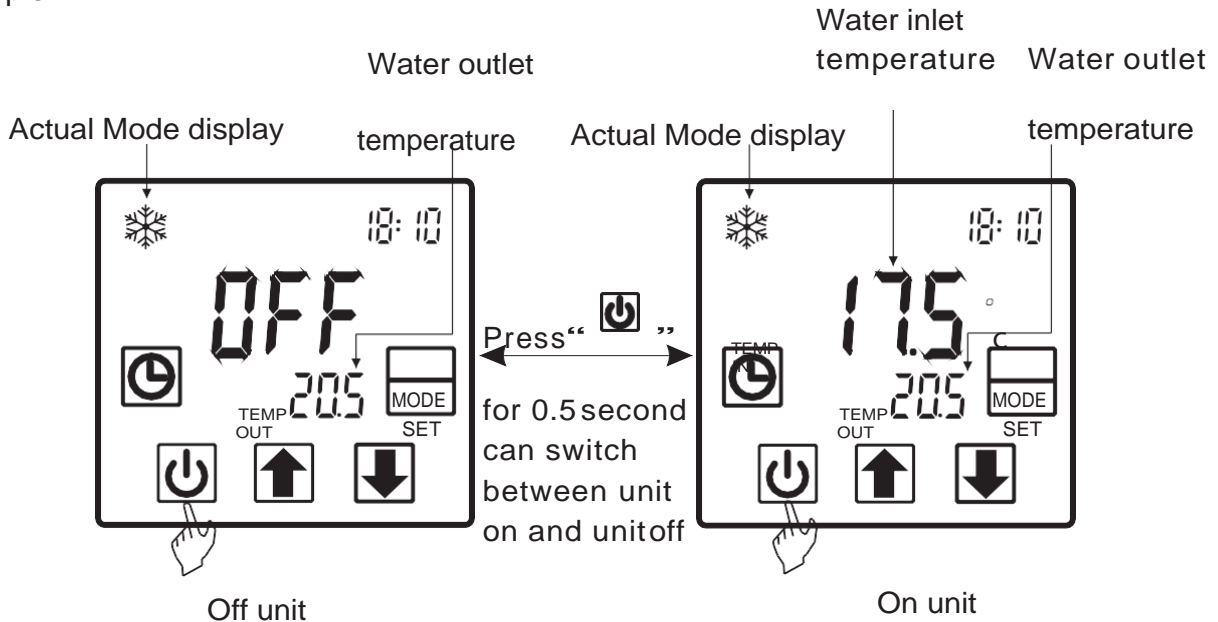
# 4. Use and Operation Instruction of Wire Controller

## 4.2. The controller usage

### 2.1 Starting up and shutting down

In the off interface, press "⏻" for 0.5s can start up the unit, and aux. display-area shows water outlet temperature; In the running interface, press "⏻" for 0.5s can shut down the unit and aux. display-area shows "OFF".

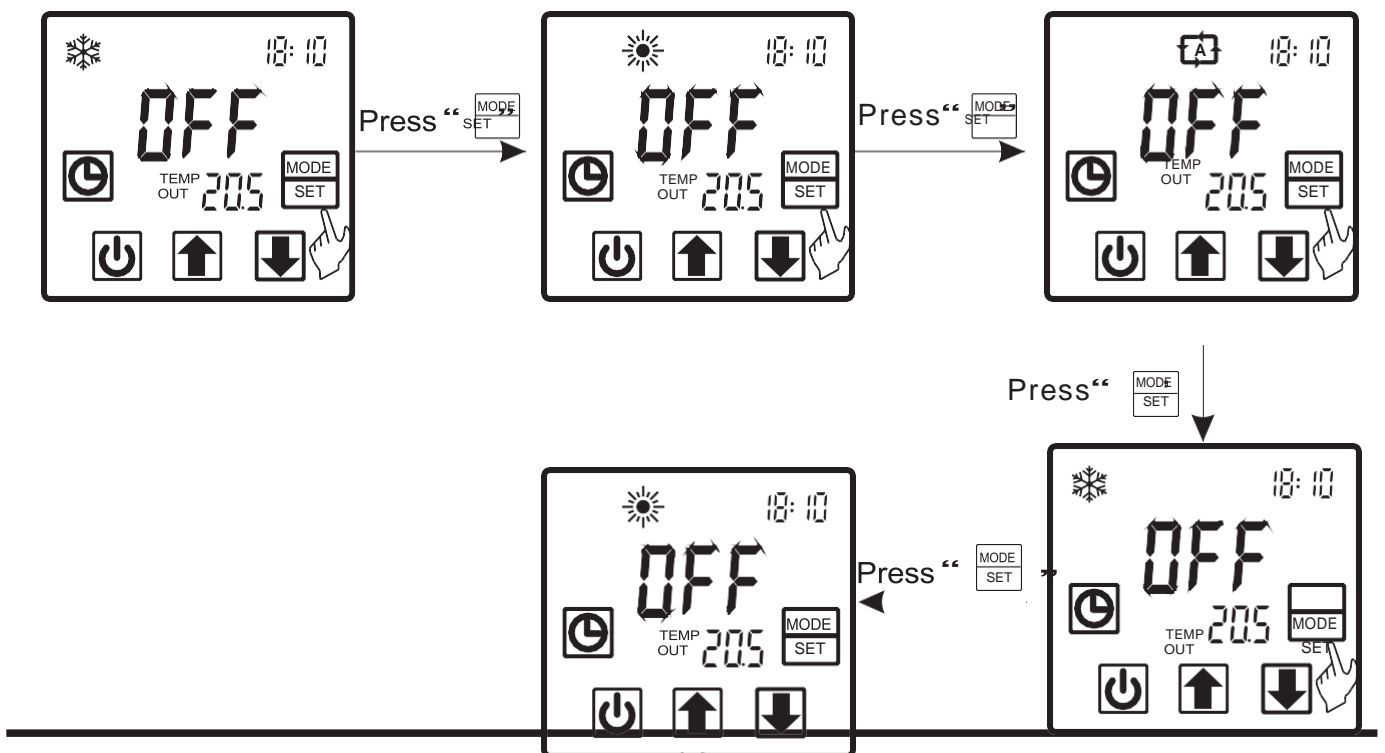
Attention: the operation of Starting up and shutting down can only be done in the main interface. For example:



### 2.2 Modes switching





If it is cold/ heat unit, in the main interface, you can switch different modes of cooling, heating, auto mode by pressing "MODE SET".


Attention : The modes switching is useless if the unit you buy is single-cold/ single-heat unit. For example:



# 4. Use and Operation Instruction of Wire Controller

## 2.3 Temperature setting

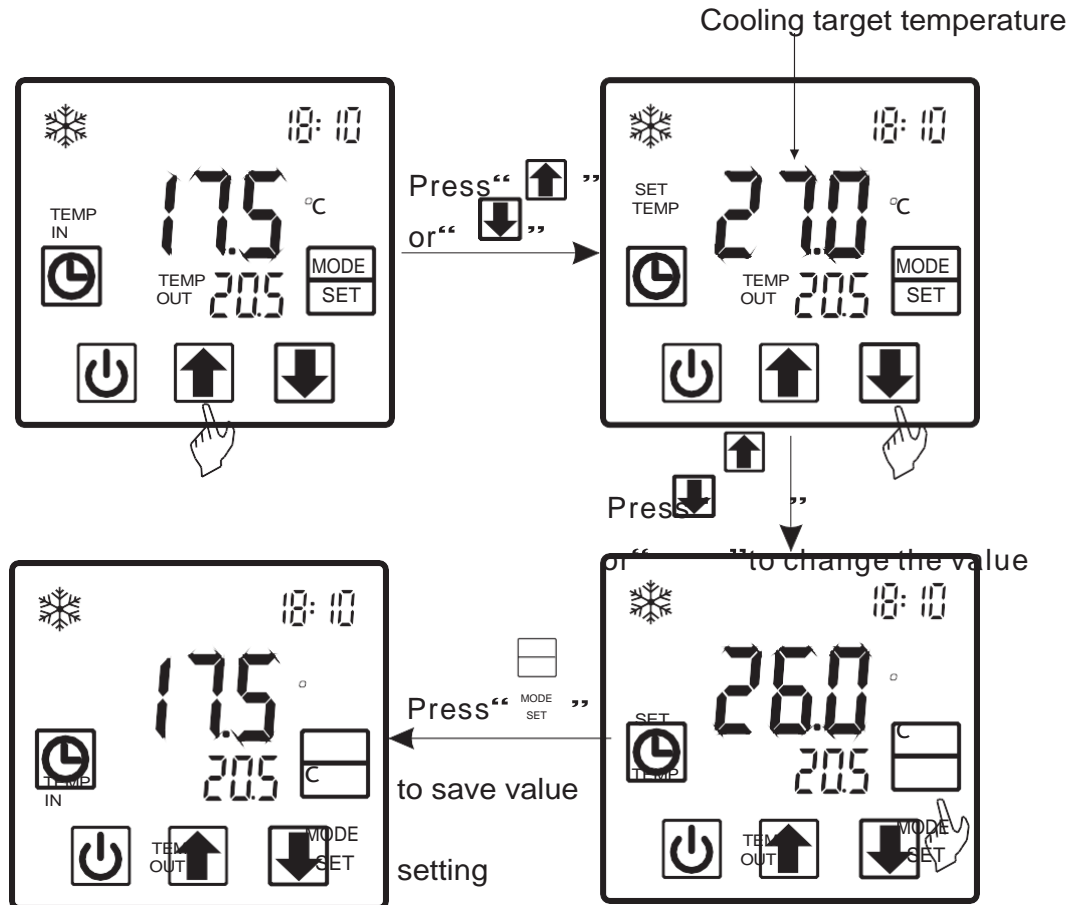
In the main interface , press “” or “” and the current mode target-temperature flashes, then press “” to increase the temp.value, or press “” to decrease it.

Press “” can save setting parameter and back to the main interface ;





Press “” can not save setting parameter but back to the main interface ;




Attention : If there is no operation for 5s , system would remember parameter setting and back to the main interface.


For example:



## 2.4 Clock setting

In the main interface , press “” twice , Hours start to flashing , and press “” to increase value or press “” to decrease value , and press “” to save setting ;

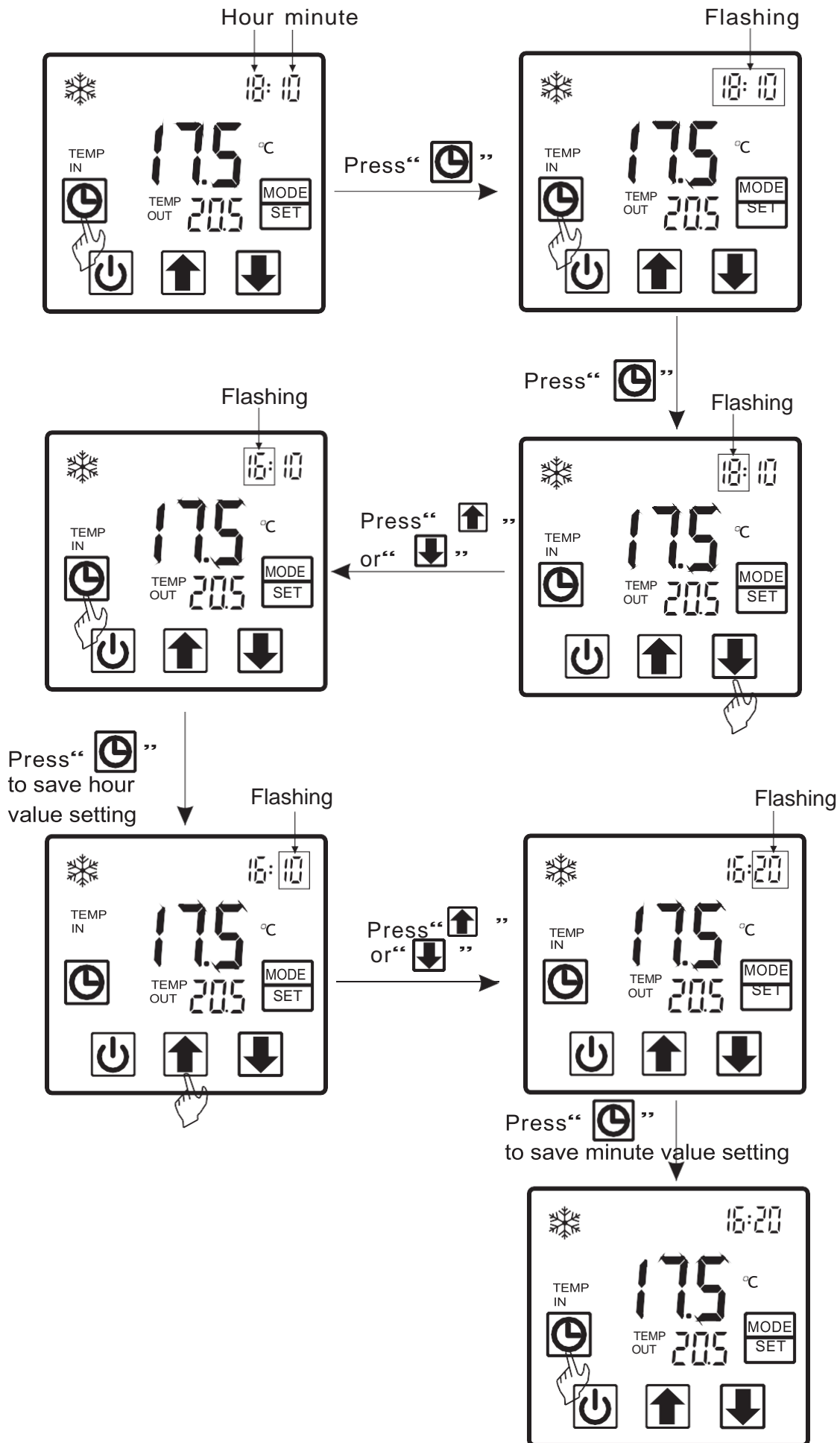
At the same time, minute start to flashing , press “” to increase value or press “” to decrease value , and press “” to save setting.

Press “” can not save setting parameter and back to main interface.

Attention : If there is no operation for 5s system will remember parameter setting and back to the main interface.



For example :


# 4. Use and Operation Instruction of Wire Controller




# 4. Use and Operation Instruction of Wire Controller

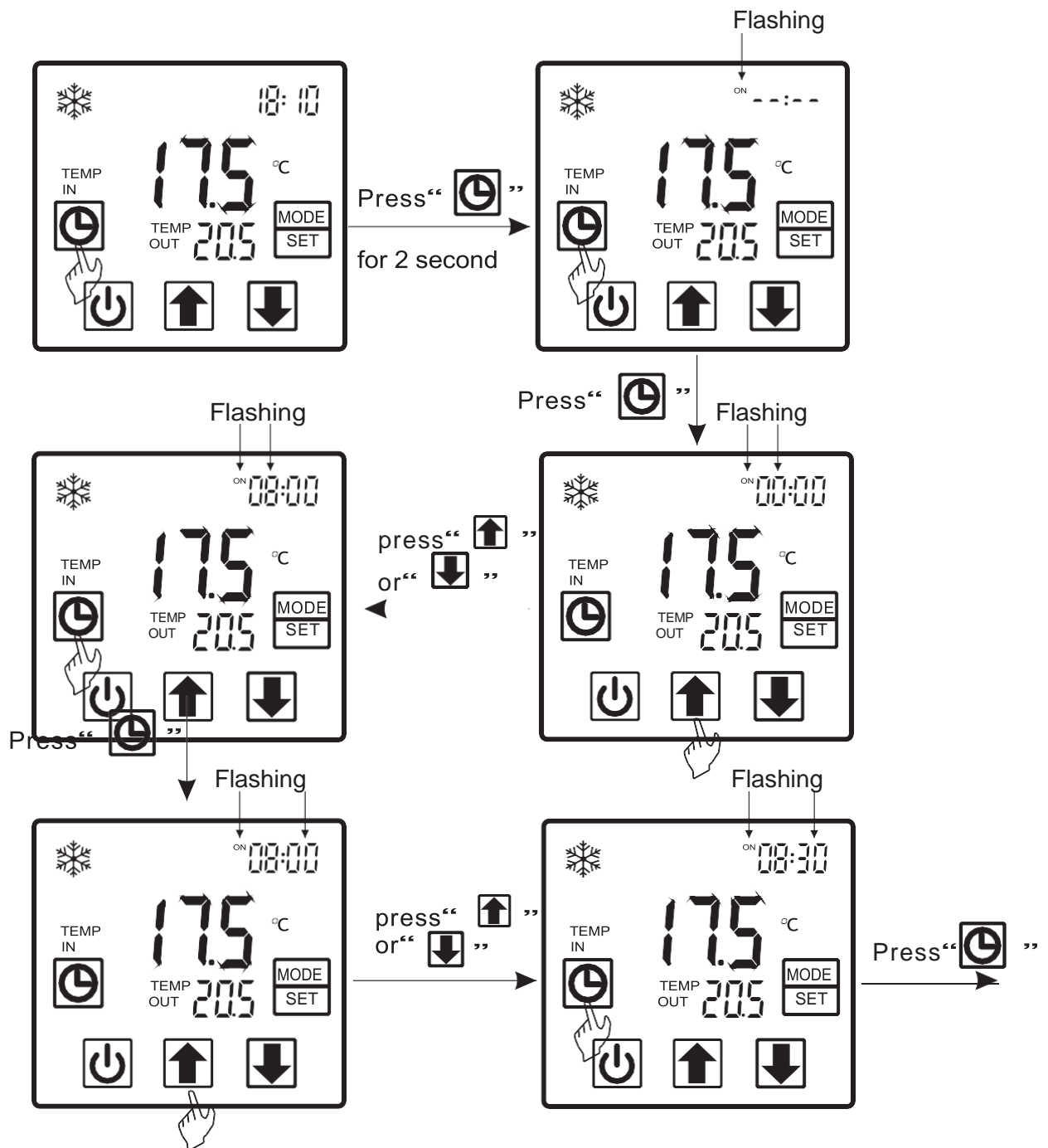
## 2.5 Timer setting

In the main interface , press “” hold on 2 seconds and "on" is flashing, at this time, you can set the timer on ( means the unit timer is on ) , then press “” again and hold on 2 seconds and "off" is flashes you can set the timer off ( means the unit timer is off ) .

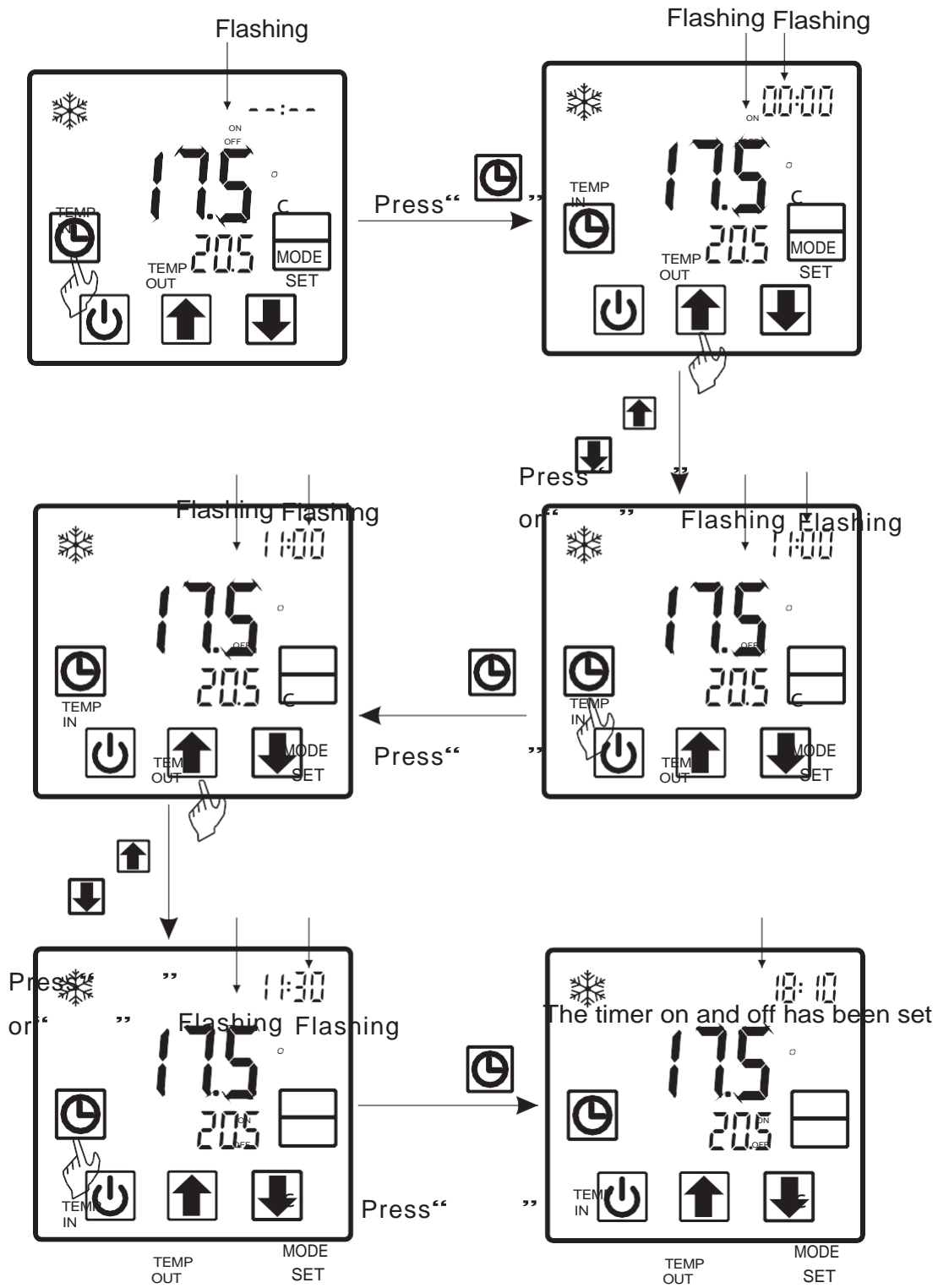
If you want cancel the timer off, In the "off" flashing ”to cancel

Attention : 1) If there is no operation for 5s , system will remember clock setting and back to the main interface.

2) By pressing  " till the "off" flashing, you can set the timer off without timer on.





# 4. Use and Operation Instruction of Wire Controller

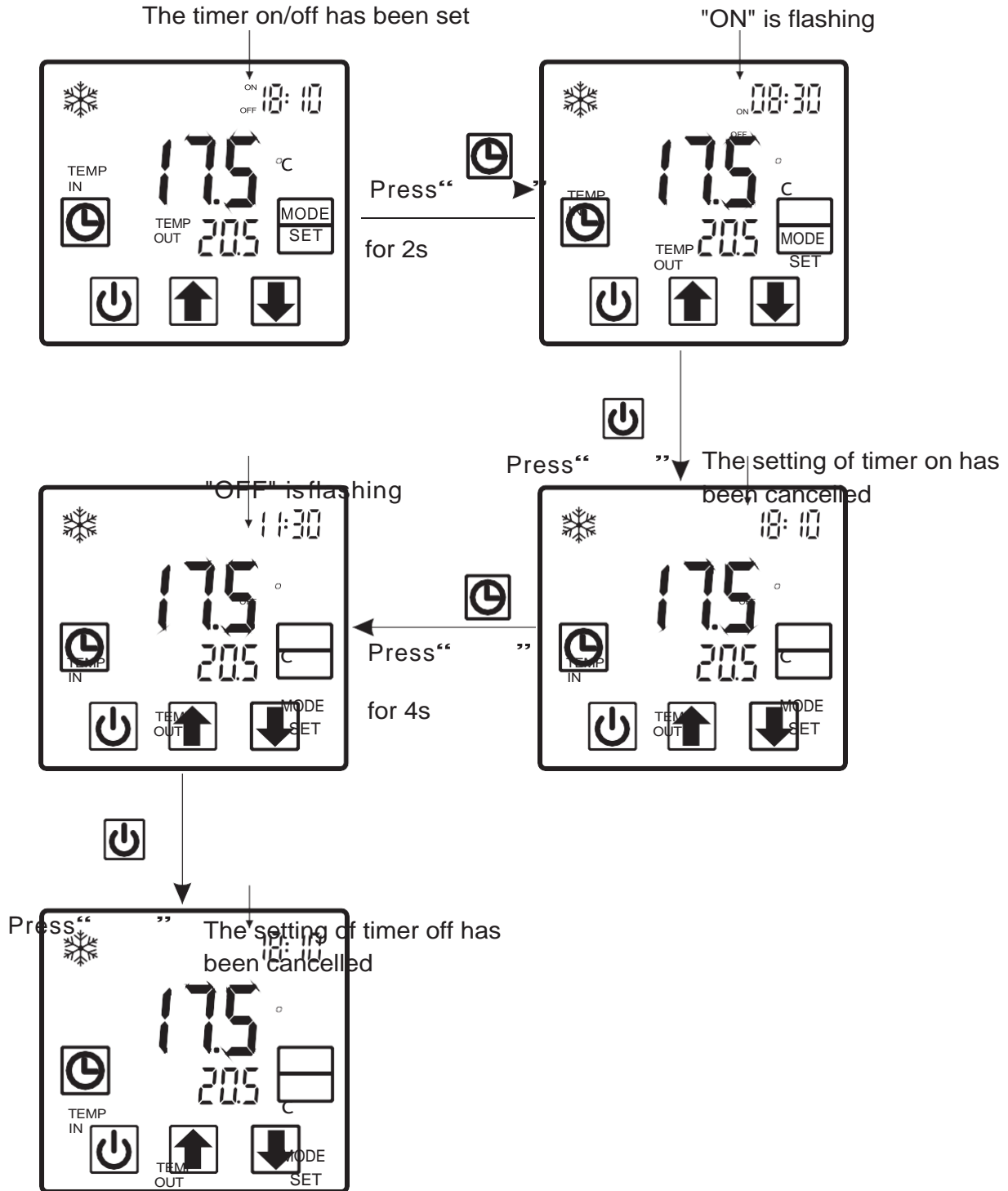


# 4. Use and Operation Instruction of Wire Controller

## 2.6 Cancel the timer setting

Press “” for 2s and "ON" is flashing , at this time, press “” to cancel the setting of timer on; It is the same way to cancel the setting of timer off .

For example :







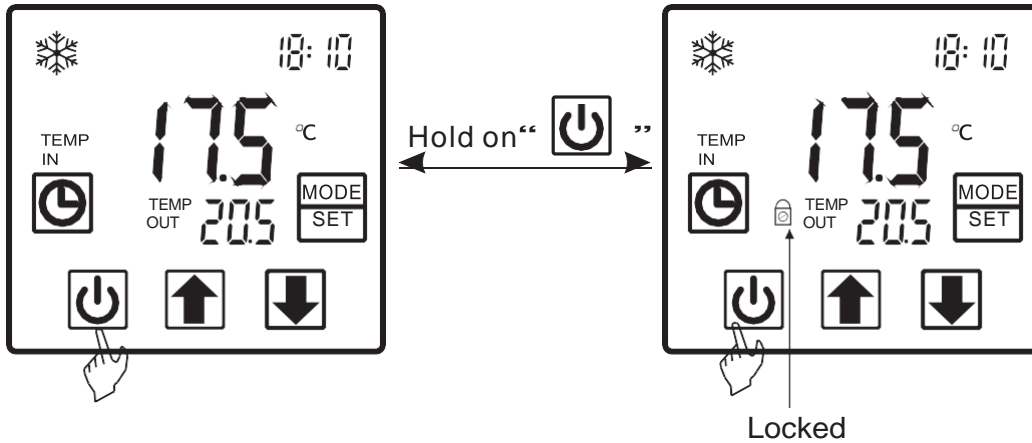
# 4. Use and Operation Instruction of Wire Controller

## 2.4 Keyboard lock

To avoid mis-operation, please lock the controller after parameter setting.

At the main interface, press “” for 5 seconds, the keyboard will be locked. When the keyboard is locked, press “” for 5 seconds, the keyboard will be unlocked.

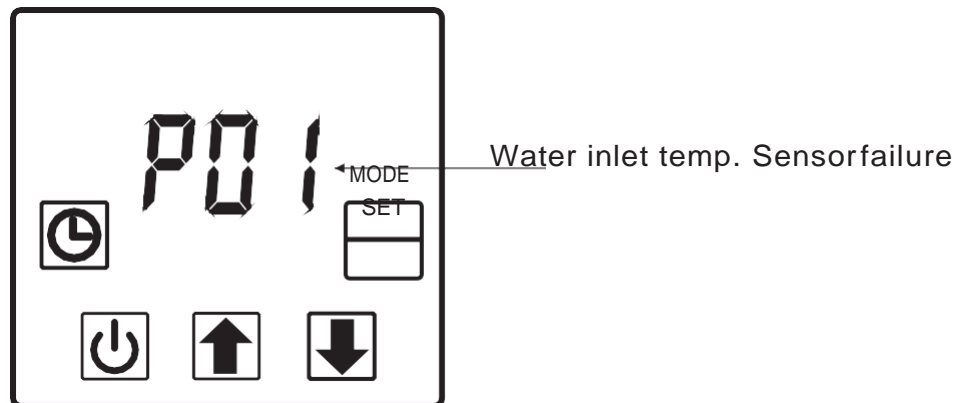
NOTES: When the unit is in alarming state, the key lock can be removed automatically.



## 2.5 Malfunction display

There will be malfunction code showing on the controller screen when relative malfunction occurs.

You can refer to the malfunction table to find out the failure cause and solution. For example :



## 4. Use and Operation Instruction of Wire Controller

---

### 4.3. Parameter table

Meaning	Default	Remark
Heating inlet target temp.	27°C	Adjustable
Cooling inlet target temp.	27°C	Adjustable
Auto inlet target temp.	27°C	Adjustable

**Remark:**

The wire controller can display the temperature unit as "°F" or "°C" according to the unit Model you bought.

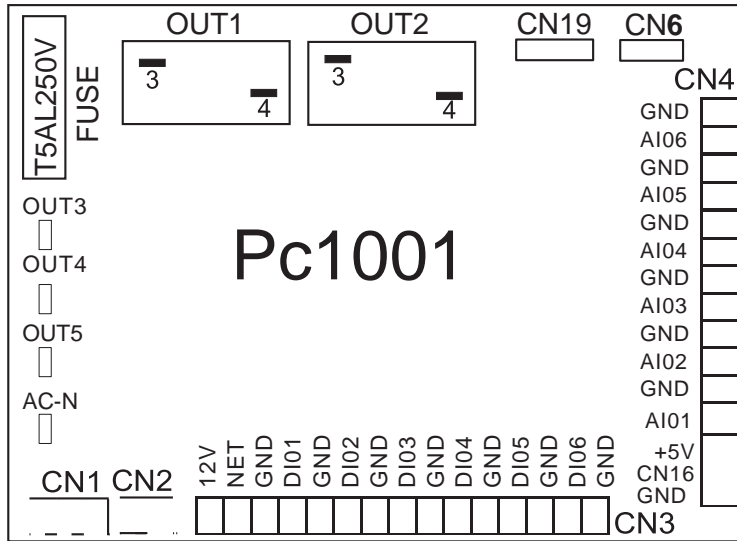
## 4. Use and Operation Instruction of Wire Controller

### Trouble Shooting Guide

Malfunction	Display	Canse	Solution
Water inlet temp. Sensor failure	P01	The water inlet temp. Sensor is open or short circuit	Check or change the water inlet temp. Sensor
Water outlet temp. Sensor failure	P02	The water outlet temp. sensor is open or short circuit	Check or change the water outlet temp. Sensor
Ambient temp. Sensor failure	P04	The ambient temp. sensor is open or short circuit	Check or change the ambient temp. Sensor
Pipe temp. Sensor failure	P05	The pipe temp. sensor is open or short circuit	Check or change the pipe temp. Sensor
Evaporator temp. Sensor failure	P07	The evaporator temp. Sensor is open or short circuit	Check or change the evaporator temp. Sensor
High pressure protect	E01	The exhaust pressure is high , high pressure switch action	Check high pressure switch and cooling return circuit
Low pressure protect	E02	The suction pressure is low, Low pressure switch action	Check low pressure switch and cooling return circuit
Flow switch failure	E03	No water or litter water in water system	Check the flow volume ,water pump is failure or not
Temp. is too much different between water-inlet and outlet	E06	Water flow volume not enough, Water system pressure difference is small	Check the flow volume, water system is jammed or not
Antifreezing under cooling mode	E07	Water flow volume not enough	Check the flow volume, water system is jammed or not
The primary anti-freezing protection start.	E19	Ambient temperature is too low	
The second anti-freezing protection start	E29	Ambient temperature is too low	
Communication failure	E08	Communication failure between remote wire controller and main board	Check the wire connection between remote wire controller and main board

# 4. Use and Operation Instruction of Wire Controller

## 4.4. Connection of PCB illustration



Connections explanation :

No.	Symbol	Meaning
1	OUT1	Compressor of system1 ( 220-230VAC )
2	OUT2	Water pump ( 220-230VAC )
3	OUT3	4way valve ( 220-230VAC )
4	OUT4	High speed of fan motor ( 220-230VAC )
5	OUT5	Low speed of fan motor ( 220-230VAC )
6	AC-N	Neutral wire
7	NET GND 12V	Wire controller
8	DI01 GND	On/Off Switch(input)(no use)
9	DI02 GND	Flow switch (input)( normal close)
10	DI03 GND	Low pressure protect
11	DI04 GND	High pressure protect
12	DI05 GND	No use
13	DI06 GND	No use
14	AI01 GND	Suction temp.(input)
15	AI02 GND	Water in temp.(input)
16	AI03 GND	Water out temp.(input)
17	AI04 GND	Temp. Of coil ( input)
18	AI05 GND	Ambient temp.(input)
19	AI06 GND	Adjustable fan speed/Exhaust temperature
20	CN1	Primary transformer
21	CN2	Secondary transformer
22	CN6	Without use
23	CN19	Electronic expansion valve
24	5V CN16 GND	Flow meter

## 5. MAINTENANCE AND INSPECTION

---

Check the water supply device and the release often. You should avoid the condition of no water or air entering into system, as this will influence unit's performance and reliability. You should clear the pool/spa filter regularly to avoid damage to the unit as a result of the dirty of clogged filter.

The area around the unit should be dry, clean and well ventilated. Clean the side heating exchanger regularly to maintain good heat exchange as conserve energy .

The operation pressure of the refrigerant system should only be serviced by a certified technician .

Check the power supply and cable connection often,.Should the unit begin to operate abnormally, switch it off and contact the qualified technician.

Discharge all water in the water pump and water system ,so that freezing of the water in the pump or water system does not occur. You should discharge the water at the bottom of water pump if the unit will not be used for an extended period of time. You should check the unit thoroughly and fill the system with water fully before using it for the first time after a

### Checks to the area

Prior to beginning work on systems containing flammable refrigerants, safety checks are necessary to ensure that the risk of ignition is minimised. For repair to the refrigerating system, the following precautions shall be complied with prior to conducting work on the system. prolonged period of no usage.

### Work procedure

Work shall be undertaken under a controlled procedure so as to minimise the risk of a flammable gas or vapour being present while the work is being performed.

### Work procedure

Work shall be undertaken under a controlled procedure so as to minimise the risk of a flammable gas or vapour being present while the work is being performed.

### General work area

All maintenance staff and others working in the local area shall be instructed on the nature of work being carried out. Work in confined spaces shall be avoided. The area around the workspace shall be sectioned off. Ensure that the conditions within the area have been made safe by control of flammable material.

### General work area

All maintenance staff and others working in the local area shall be instructed on the nature of work being carried out. Work in confined spaces shall be avoided. The area around the workspace shall be sectioned off. Ensure that the conditions within the area have been made safe by control of flammable material.

### Checking for presence of refrigerant

The area shall be checked with an appropriate refrigerant detector prior to and during work, to ensure the technician is aware of potentially flammable atmospheres. Ensure that the leak detection equipment being used is suitable for use with flammable refrigerants, i.e. non-sparking, adequately sealed or intrinsically safe.

### Presence of fire extinguisher

If any hot work is to be conducted on the refrigeration equipment or any associated parts, appropriate fire extinguishing equipment shall be available to hand. Have a dry powder or CO2 fire extinguisher adjacent to the charging area.

## 5. MAINTENANCE AND INSPECTION

---

### No ignition sources

No person carrying out work in relation to a refrigeration system which involves exposing any pipe work that contains or has contained flammable refrigerant shall use any sources of ignition in such a manner that it may lead to the risk of fire or explosion. All possible ignition sources, including cigarette smoking, should be kept sufficiently far away from the site of installation, repairing, removing and disposal, during which flammable refrigerant can possibly be released to the surrounding space. Prior to work taking place, the area around the equipment is to be surveyed to make sure that there are no flammable hazards or ignition risks. “No Smoking” signs shall be displayed.

### Ventilated area

Ensure that the area is in the open or that it is adequately ventilated before breaking into the system or conducting any hot work. A degree of ventilation shall continue during the period that the work is carried out. The ventilation should safely disperse any released refrigerant and preferably expel it externally into the atmosphere. prolonged period of no usage.

### Checks to the area

Prior to beginning work on systems containing flammable refrigerants, safety checks are necessary to ensure that the risk of ignition is minimised. For repair to the refrigerating system, the following precautions shall be complied with prior to conducting work on the system. prolonged period of no usage.

### Checks to the refrigeration equipment

Where electrical components are being changed, they shall be fit for the purpose and to the correct specification. At all times the manufacturer's maintenance and service guidelines shall be followed. If in doubt consult the manufacturer's technical department for assistance.

The following checks shall be applied to installations using flammable refrigerants:

The charge size is in accordance with the room size within which the refrigerant containing parts are installed;

The ventilation machinery and outlets are operating adequately and are not obstructed; If an indirect refrigerating circuit is being used, the secondary circuit shall be checked for the presence of refrigerant;

Marking to the equipment continues to be visible and legible. Markings and signs that are illegible shall be corrected;

Refrigeration pipe or components are installed in a position where they are unlikely to be exposed to any substance which may corrode refrigerant containing components, unless the components are constructed of materials which are inherently resistant to being corroded or are suitably protected against being so corroded.

### Checks to electrical devices

Repair and maintenance to electrical components shall include initial safety checks and component inspection procedures. If a fault exists that could compromise safety, then no electrical supply shall be connected to the circuit until it is satisfactorily dealt with. If the fault cannot be corrected immediately but it is necessary to continue operation, an adequate temporary solution shall be used. This shall be reported to the owner of the equipment so all parties are advised.

Initial safety checks shall include:

- . That capacitors are discharged: this shall be done in a safe manner to avoid possibility of sparking;
- . That there no live electrical components and wiring are exposed while charging, recovering or purging the system;
- . That there is continuity of earth bonding.

## 5. MAINTENANCE AND INSPECTION

---

### Repairs to sealed components

1) During repairs to sealed components, all electrical supplies shall be disconnected from the equipment being worked upon prior to any removal of sealed covers, etc. If it is absolutely necessary to have an electrical supply to equipment during servicing, then a permanently operating form of leak detection shall be located at the most critical point to warn of a potentially hazardous situation.

2) Particular attention shall be paid to the following to ensure that by working on electrical components, the casing is not altered in such a way that the level of protection is affected. This shall include damage to cables, excessive number of connections, terminals not made to original specification, damage to seals, incorrect fitting of glands, etc.

Ensure that apparatus is mounted securely.

Ensure that seals or sealing materials have not degraded such that they no longer serve the purpose of preventing the ingress of flammable atmospheres. Replacement parts shall be in accordance with the manufacturer's specifications.

NOTE: The use of silicon sealant may inhibit the effectiveness of some types of leak detection equipment. Intrinsically safe components do not have to be isolated prior to

### Repair to intrinsically safe components

**Do not apply any permanent inductive or capacitance loads to the circuit without ensuring that this will not exceed the permissible voltage and current permitted for the equipment in use.**

Intrinsically safe components are the only types that can be worked on while live in the presence of a flammable atmosphere. The test apparatus shall be at the correct rating.

Replace components only with parts specified by the manufacturer. Other parts may result in the ignition of refrigerant in the atmosphere from a leak.

### Cabling

Check that cabling will not be subject to wear, corrosion, excessive pressure, vibration, sharp edges or any other adverse environmental effects. The check shall also take into account the effects of aging or continual vibration from sources such as compressors or fans.

### Detection of flammable refrigerants

Under no circumstances shall potential sources of ignition be used in the searching for or detection of refrigerant leaks. A halide torch (or any other detector using a naked flame) shall not be used.

### Leak detection methods

The following leak detection methods are deemed acceptable for systems containing flammable refrigerants.

Electronic leak detectors shall be used to detect flammable refrigerants, but the sensitivity may not be adequate, or may need re-calibration. (Detection equipment shall be calibrated in a refrigerant-free area.) Ensure that the detector is not a potential source of ignition and is suitable for the refrigerant used. Leak detection equipment shall be set at a percentage of the LFL of the refrigerant and shall be calibrated to the refrigerant employed and the appropriate percentage of gas (25 % maximum) is confirmed.

Leak detection fluids are suitable for use with most refrigerants but the use of detergents containing chlorine shall be avoided as the chlorine may react with the refrigerant and corrode the copper pipe-work.

If a leak is suspected, all naked flames shall be removed/ extinguished.

If a leakage of refrigerant is found which requires brazing, all of the refrigerant shall be recovered from the system, or isolated (by means of shut off valves) in a part of the system remote from the leak. Oxygen free nitrogen (OFN) shall then be purged through the system both before and during the brazing process.

## 5. MAINTENANCE AND INSPECTION

---

### Removal and evacuation

When breaking into the refrigerant circuit to make repairs or for any other purpose conventional procedures shall be used. However, it is important that best practice is followed since flammability is a consideration. The following procedure shall be adhered to:

- . Remove refrigerant;
- . Purge the circuit with inert gas;
- . Evacuate;
- . Purge again with inert gas;
- . Open the circuit by cutting or brazing.

The refrigerant charge shall be recovered into the correct recovery cylinders. The system shall be "flushed" with OFN to render the unit safe. This process may need to be repeated several times. Compressed air or oxygen shall not be used for this task.

Flushing shall be achieved by breaking the vacuum in the system with OFN and continuing to fill until the working pressure is achieved, then venting to atmosphere, and finally pulling down to a vacuum. This process shall be repeated until no refrigerant is within the system.

When the final OFN charge is used, the system shall be vented down to atmospheric pressure to enable work to take place. This operation is absolutely vital if brazing operations on the pipe-work are to take place.

Ensure that the outlet for the vacuum pump is not close to any ignition sources and there is ventilation available. working on them.

### Labelling

Equipment shall be labelled stating that it has been de-commissioned and emptied of refrigerant. The label shall be dated and signed. Ensure that there are labels on the equipment stating the equipment contains flammable refrigerant.

### Recovery

When removing refrigerant from a system, either for servicing or decommissioning, it is recommended good practice that all refrigerants are removed safely.

When transferring refrigerant into cylinders, ensure that only appropriate refrigerant recovery cylinders are employed. Ensure that the correct number of cylinders for holding the total system charge is available. All cylinders to be used are designated for the recovered refrigerant and labelled for that refrigerant (i.e. special cylinders for the recovery of refrigerant). Cylinders shall be complete with pressure relief valve and associated shut-off valves in good working order. Empty recovery cylinders are evacuated and, if possible, cooled before recovery occurs.

The recovery equipment shall be in good working order with a set of instructions concerning the equipment that is at hand and shall be suitable for the recovery of flammable refrigerants. In addition, a set of calibrated weighing scales shall be available and in good working order. Hoses shall be complete with leak-free disconnect couplings and in good condition. Before using the recovery machine, check that it is in satisfactory working order, has been properly maintained and that any associated electrical components are sealed to prevent ignition in the event of a refrigerant release. Consult manufacturer if in doubt.

The recovered refrigerant shall be returned to the refrigerant supplier in the correct recovery cylinder, and the relevant Waste Transfer Note arranged. Do not mix refrigerants in recovery units and especially not in cylinders.

If compressors or compressor oils are to be removed, ensure that they have been evacuated to an acceptable level to make certain that flammable refrigerant does not remain within the lubricant. The evacuation process shall be carried out prior to returning the compressor to the suppliers. Only electric heating to the compressor body shall be employed to accelerate this process. When oil is drained from a system, it shall be carried out safely.



## 5. MAINTENANCE AND INSPECTION

---

### Decommissioning

Before carrying out this procedure, it is essential that the technician is completely familiar with the equipment and all its detail. It is recommended good practice that all refrigerants are recovered safely. Prior to the task being carried out, an oil and refrigerant sample shall be taken in case analysis is required prior to re-use of reclaimed refrigerant. It is essential that electrical power is available before the task is commenced.

- a) Become familiar with the equipment and its operation.
- b) Isolate system electrically.
- c) Before attempting the procedure ensure that:
  - . Mechanical handling equipment is available, if required, for handling refrigerant cylinders;
  - . All personal protective equipment is available and being used correctly;
  - . The recovery process is supervised at all times by a competent person;
  - . Recovery equipment and cylinders conform to the appropriate standards.
- d) Pump down refrigerant system, if possible.
- e) If a vacuum is not possible, make a manifold so that refrigerant can be removed from various parts of the system.
- f) Make sure that cylinder is situated on the scales before recovery takes place.
- g) Start the recovery machine and operate in accordance with manufacturer's instructions.
- h) Do not overfill cylinders. (No more than 80 % volume liquid charge).
- i) Do not exceed the maximum working pressure of the cylinder, even temporarily.
- j) When the cylinders have been filled correctly and the process completed, make sure that the cylinders and the equipment are removed from site promptly and all isolation valves on the equipment are closed off.
- k) Recovered refrigerant shall not be charged into another refrigeration system unless it has been cleaned and checked.

### Charging procedures

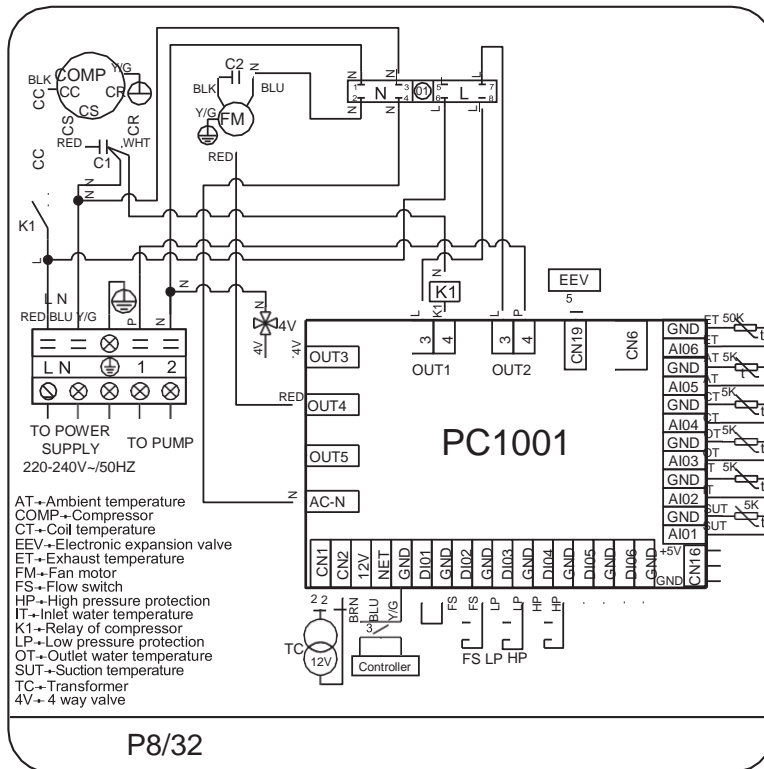
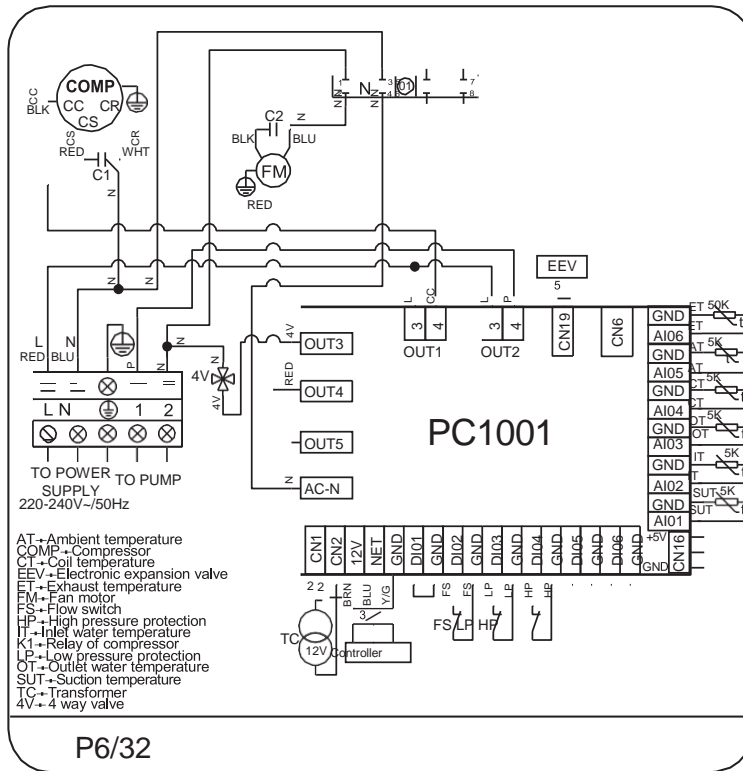
In addition to conventional charging procedures, the following requirements shall be followed.

- Ensure that contamination of different refrigerants does not occur when using charging equipment. Hoses or lines shall be as short as possible to minimise the amount of refrigerant contained in them.
  - Cylinders shall be kept upright.
  - Ensure that the refrigeration system is earthed prior to charging the system with refrigerant.
  - Label the system when charging is complete (if not already).
  - Extreme care shall be taken not to overfill the refrigeration system.
- Prior to recharging the system it shall be pressure tested with OFN. The system shall be leak tested on completion of charging but prior to commissioning. A follow up leak test shall be carried out prior to leaving the site.

The safety wire model is 5\*20\_5A/250VAC, And must meet the explosion-proof requirements

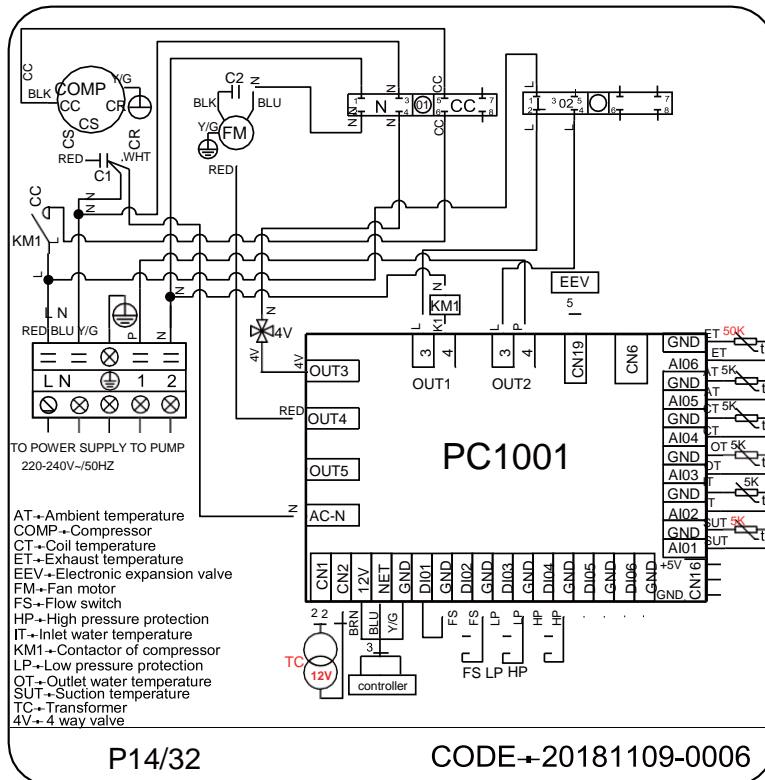
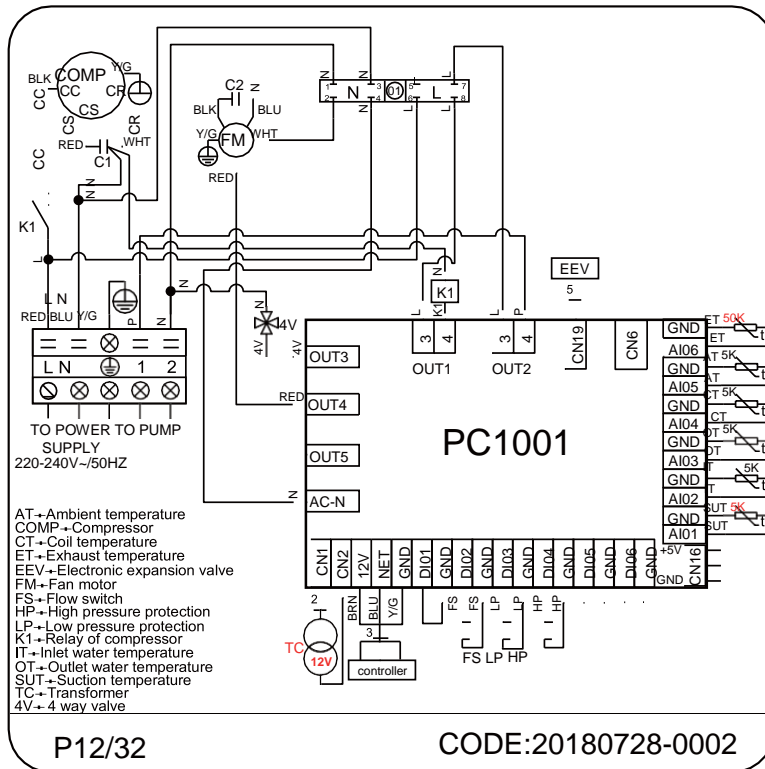
# 6.APPENDIX

## 6.1 Circuit diagram



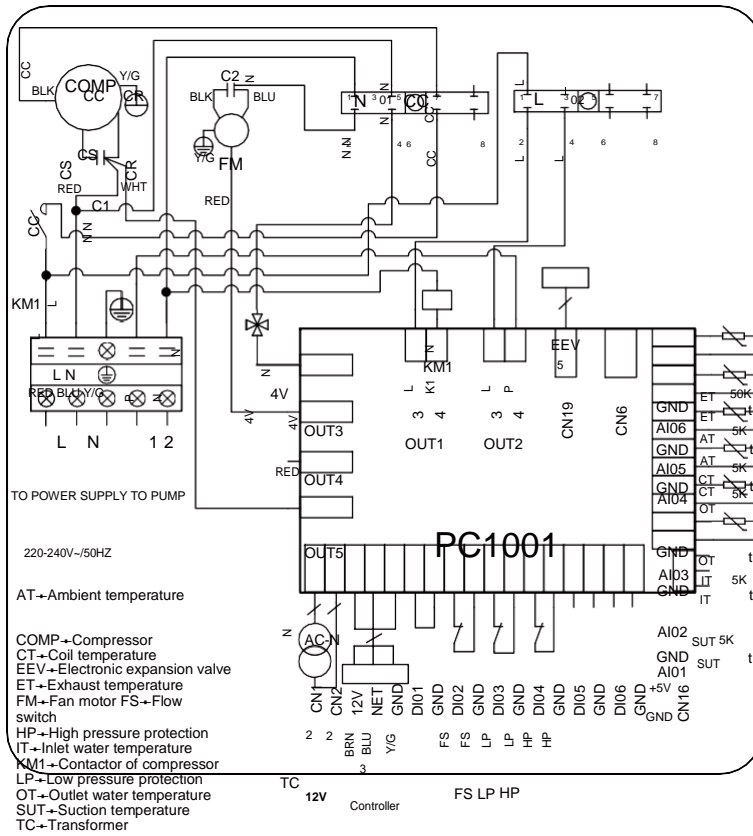
# 6.APPENDIX

## 6.1 Circuit diagram



# 6.APPENDIX

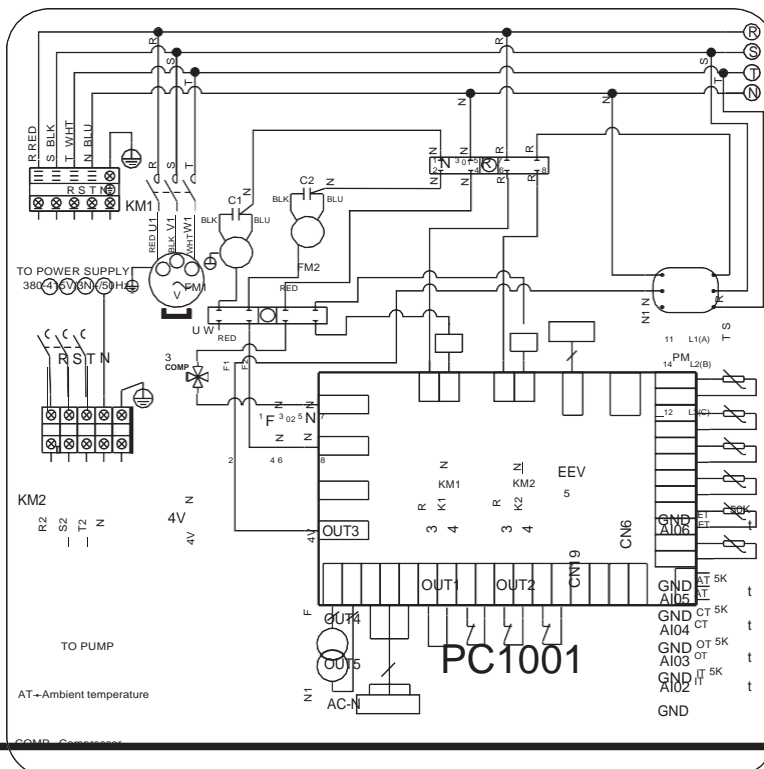
## 6.1 Circuit diagram



4V→4 way valve

P20/32

CODE→20190220-0004



# 6.APPENDIX

CH→Compressor heater  
 CT→Coil temperature  
 ET→Exhaust temperature  
 FM→Fan motor  
 FS→Flow switch  
 HP→High pressure protection  
 IT→Inlet water temperature  
 KM1→Contactor coil of compressor  
 KM2→Contactor coil of pump  
 LP→Low pressure protection  
 OT→Outlet water temperature  
 PM→Phase monitor  
 SUT→Suction temperature



TC→ Transforme  
 4V→ 4 way valve  
 Controller

## P23T/32&P26T/32

## 6.APPENDIX

### 6.2 Cable specification

#### (1) Single phase unit

Nameplate maximum current	Phase line	Earth line	MCB	Creepage protector	Signal line
No more than 10A	2h1.5mm <sup>2</sup>	1.5mm <sup>2</sup>	20A	30mA less than 0.1 sec	nh0.5mm <sup>2</sup>
10~16A	2h2.5mm <sup>2</sup>	2.5mm <sup>2</sup>	32A	30mA less than 0.1 sec	
16~25A	2h4mm <sup>2</sup>	4mm <sup>2</sup>	40A	30mA less than 0.1 sec	
25~32A	2h6mm <sup>2</sup>	6mm <sup>2</sup>	40A	30mA less than 0.1 sec	
32~40A	2h10mm <sup>2</sup>	10mm <sup>2</sup>	63A	30mA less than 0.1 sec	
40 ~63A	2h16mm <sup>2</sup>	16mm <sup>2</sup>	80A	30mA less than 0.1 sec	
63~75A	2h25mm <sup>2</sup>	25mm <sup>2</sup>	100A	30mA less than 0.1 sec	
75~101A	2h25mm <sup>2</sup>	25mm <sup>2</sup>	125A	30mA less than 0.1 sec	
101~123A	2h35mm <sup>2</sup>	35mm <sup>2</sup>	160A	30mA less than 0.1 sec	
123~148A	2h50mm <sup>2</sup>	50mm <sup>2</sup>	225A	30mA less than 0.1 sec	
148~186A	2h70mm <sup>2</sup>	70mm <sup>2</sup>	250A	30mA less than 0.1 sec	
186~224A	2h95mm <sup>2</sup>	95mm <sup>2</sup>	280A	30mA less than 0.1 sec	

#### (2) Three phase unit

Nameplate maximum current	Phase line	Earth line	MCB	Creepage protector	Signal line
No more than 10A	3h1.5mm <sup>2</sup>	1.5mm <sup>2</sup>	20A	30mA less than 0.1 sec	nh0.5mm <sup>2</sup>
10~16A	3h2.5mm <sup>2</sup>	2.5mm <sup>2</sup>	32A	30mA less than 0.1 sec	
16~25A	3h4mm <sup>2</sup>	4mm <sup>2</sup>	40A	30mA less than 0.1 sec	
25~32A	3h6mm <sup>2</sup>	6mm <sup>2</sup>	40A	30mA less than 0.1 sec	
32~40A	3h10mm <sup>2</sup>	10mm <sup>2</sup>	63A	30mA less than 0.1 sec	
40 ~63A	3h16mm <sup>2</sup>	16mm <sup>2</sup>	80A	30mA less than 0.1 sec	
63~75A	3h25mm <sup>2</sup>	25mm <sup>2</sup>	100A	30mA less than 0.1 sec	
75~101A	3h25mm <sup>2</sup>	25mm <sup>2</sup>	125A	30mA less than 0.1 sec	
101~123A	3h35mm <sup>2</sup>	35mm <sup>2</sup>	160A	30mA less than 0.1 sec	
123~148A	3h50mm <sup>2</sup>	50mm <sup>2</sup>	225A	30mA less than 0.1 sec	
148~186A	3h70mm <sup>2</sup>	70mm <sup>2</sup>	250A	30mA less than 0.1 sec	
186~224A	3h95mm <sup>2</sup>	95mm <sup>2</sup>	280A	30mA less than 0.1 sec	

When the unit will be installed at outdoor, please use the cable which can against UV.

## 6.APPENDIX

---

### 6.3 Comparison table of refrigerant saturation temperature

Pressure (MPa)	0	0.3	0.5	0.8	1	1.3	1.5	1.8	2	2.3
Temperature (R410A)(°C)	-51.3	-20	-9	4	11	19	24	31	35	39
Temperature (R32)(°C)	-52.5	-20	-9	3.5	10	18	23	29.5	33.3	38.7
Pressure (MPa)	2.5	2.8	3	3.3	3.5	3.8	4	4.5	5	5.5
Temperature (R410A)(°C)	43	47	51	55	57	61	64	70	74	80
Temperature (R32)(°C)	42	46.5	49.5	53.5	56	60	62	67.5	72.5	77.4

**WORLD**  
**OF POOLS**