



FRONT RUNNER

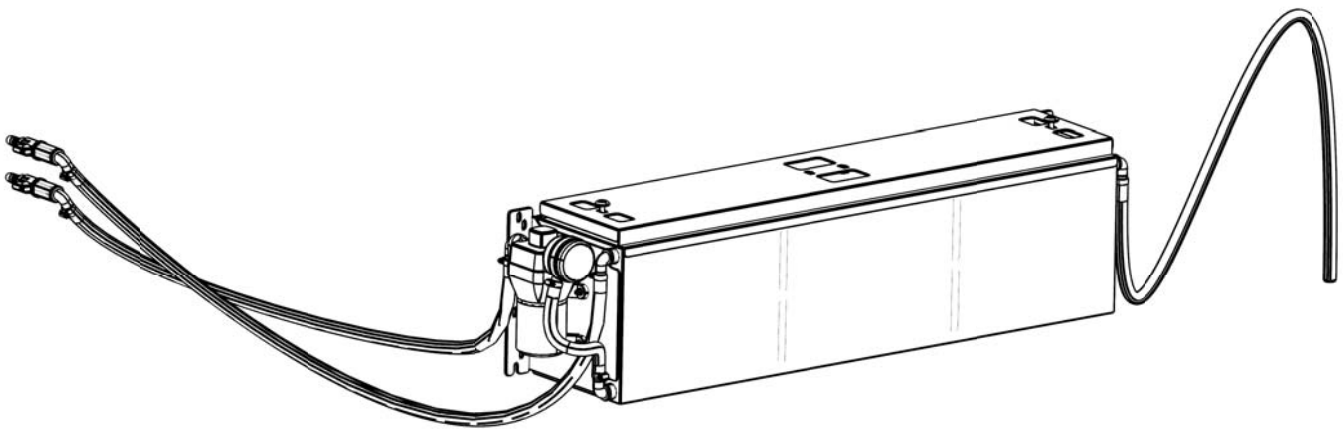
**STAINLESS WATER TANK
FOR DRAWER SYSTEM**

ENG

WTAN037



INSTALL TIME: 1 Hour



IMPORTANT WARNING!

IT IS CRITICAL THAT ALL FRONT RUNNER PRODUCTS BE PROPERLY AND SECURELY ASSEMBLED AND ATTACHED TO YOUR VEHICLE. IMPROPER ATTACHMENT COULD RESULT IN AN AUTOMOBILE ACCIDENT, AND COULD CAUSE SERIOUS BODILY INJURY OR DEATH TO YOU OR TO OTHERS. YOU ARE RESPONSIBLE FOR ASSEMBLING AND SECURING ALL FRONT RUNNER PRODUCTS TO YOUR VEHICLE, CHECKING THE ATTACHMENTS PRIOR TO USE, AND PERIODICALLY INSPECTING THE PRODUCTS FOR ADJUSTMENT, WEAR, AND DAMAGE. THEREFORE, YOU MUST READ AND UNDERSTAND ALL OF THE INSTRUCTIONS AND CAUTIONS SUPPLIED WITH YOUR FRONT RUNNER PRODUCT PRIOR TO INSTALLATION OR USE. IF YOU DO NOT UNDERSTAND ALL OF THE INSTRUCTIONS AND CAUTIONS, OR IF YOU HAVE NO MECHANICAL EXPERIENCE AND ARE NOT THOROUGHLY FAMILIAR WITH THE INSTALLATION PROCEDURES, YOU SHOULD HAVE THE PRODUCT INSTALLED BY A PROFESSIONAL INSTALLER OR OTHER QUALIFIED PERSONNEL.

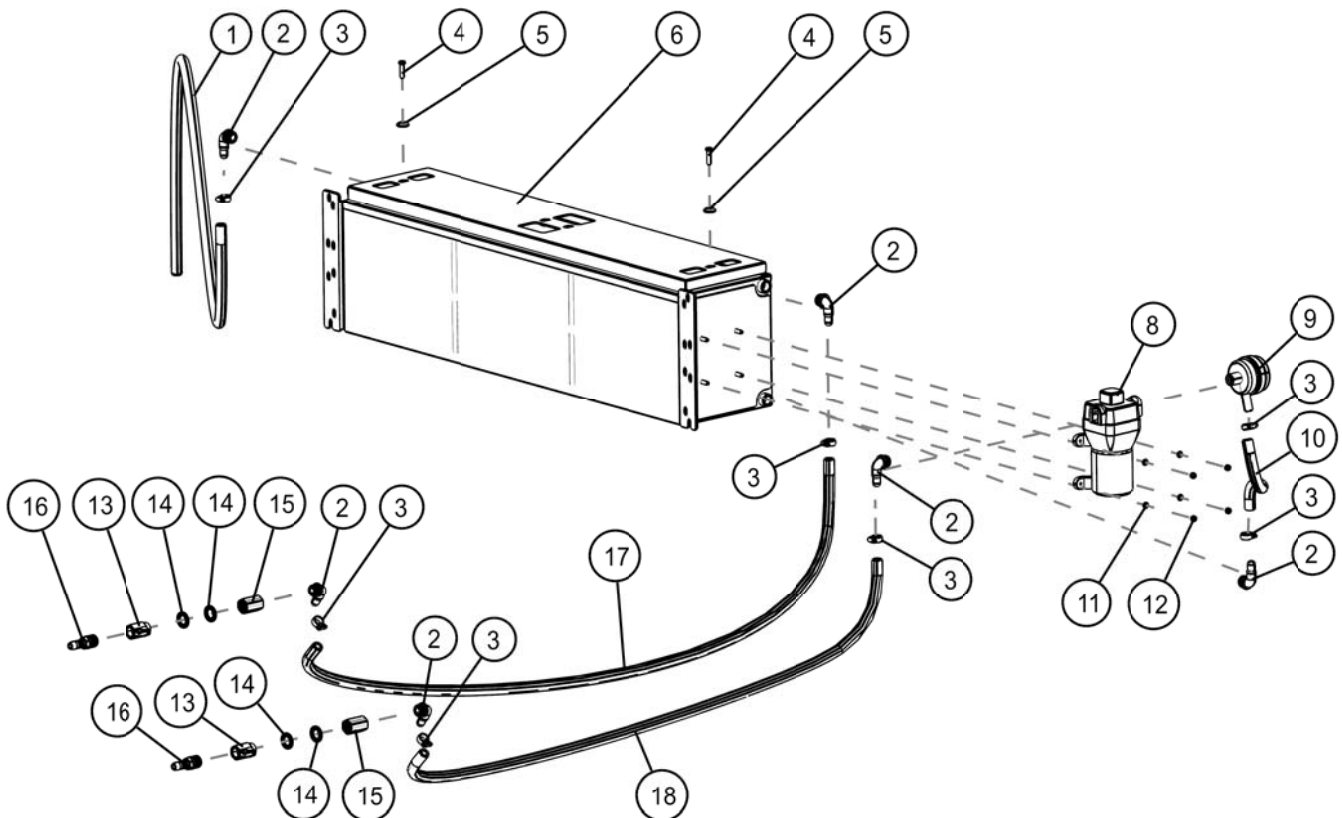
1 GET ORGANIZED

Here is what you looking at:

Item #	Quantity	Description
1	1	BREATHER / OVERFLOW HOSE - 1170 mm LONG
2	5	THREADED PLASTIC ELBOW
3	7	16 - 25 mm HOSE CLAMP
4	2	M6 x 30 COUNTERSUNK BOLT
5	2	FINISHING WASHER
6	1	WATER TANK
7	1	PUMP ELBOW
8	1	PUMP
9	1	PUMP FILTER
10	1	FILTER to TANK HOSE - 220 mm LONG
11	4	M5 FLAT WASHER
12	4	M5 NYLOC NUT
13	2	BALL VALVE
14	4	BONDED WASHER
15	2	ADAPTOR
16	2	MALE BARBED FITTING
17	1	INLET HOSE - 1440 mm LONG
18	1	OUTLET HOSE - 1240 mm LONG
19	1	OUTLET EXTENSION HOSE - 500 mm LONG (Not Pictured)

You will need:

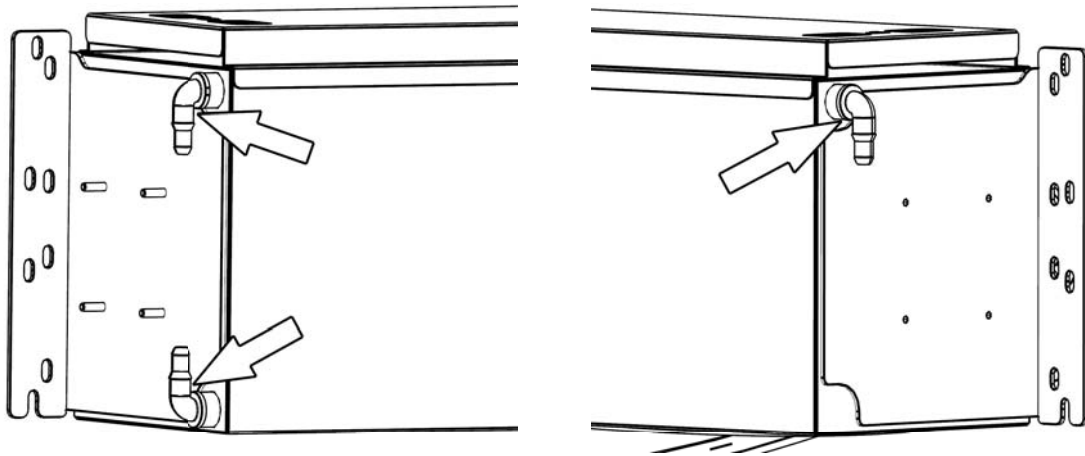
- Thread Tape
- 7 mm Socket Wrench
- 8 mm Flat or Socket Wrench
- 10 mm Flat or Socket Wrench
- Two 24 mm Flat Wrench
- Flat Screwdriver
- Utility Knife
- Tools & Materials Required to Connect Pump to 12V Power Supply - Refer to Page 7 Step 3H



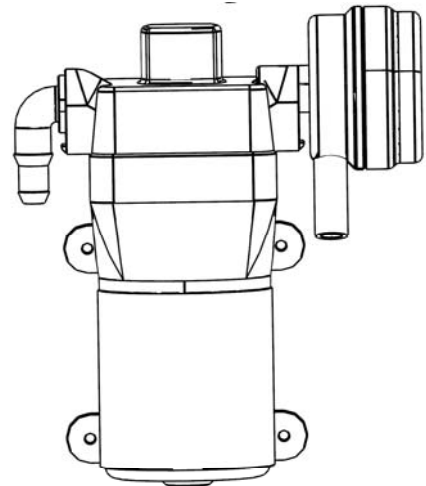
(A) Familiarize yourself with the parts and then step away from the work area and read through these instructions from beginning to end. Grab a cup of coffee and take a moment. A little prep now may save you a lot of time later.

2 PREPARE FOR INSTALL

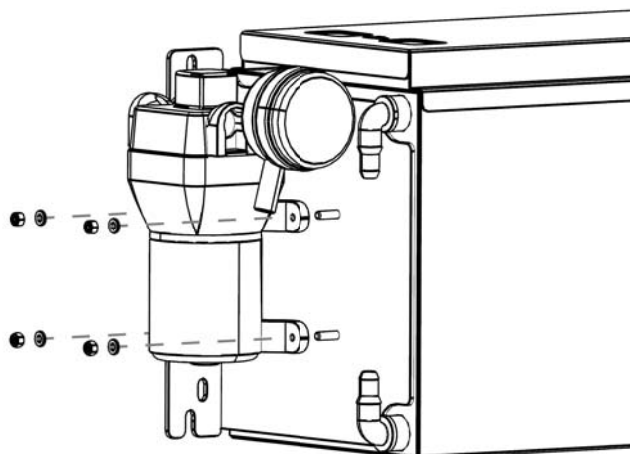
- (A) Wrap a small amount of thread tape around the thread of the three Plastic Elbows (Item 2) and secure them to the sides of the Water Tank (Item 6) as shown.



- (B) Clip the Pump Elbow and Pump Filter (Items 7 & 9) into the Pump (Item 8) as shown.

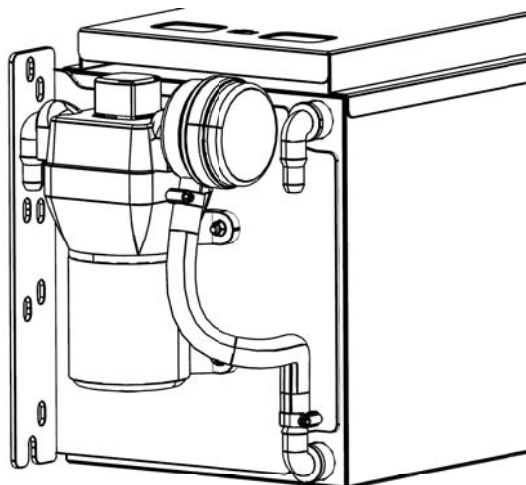


- (C) Secure the Pump assembly from Step 2B to the Tank (Item 6) using the four M5 Flat Washers and four M5 Nyloc Nuts (Items 11 & 12).



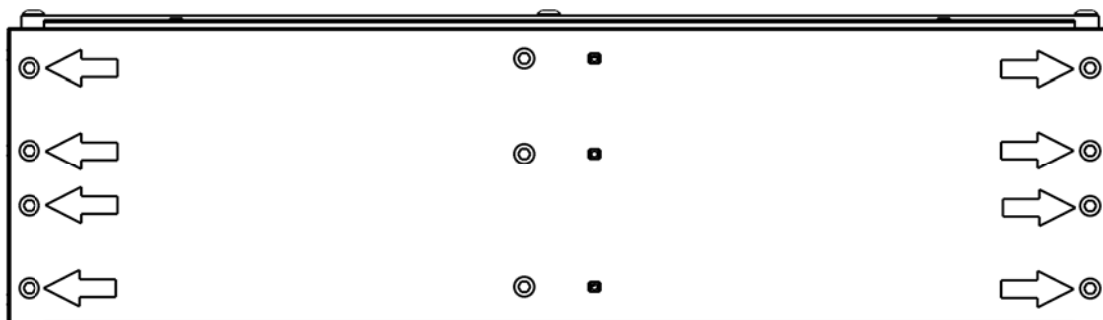
2 PREPARE FOR INSTALL

- (D) Connect the Filter to Tank Hose (Item 10) between the Tank and Filter. Secure the Hose on either end using two 16-25 mm Hose Clamps (Item 3) as shown.

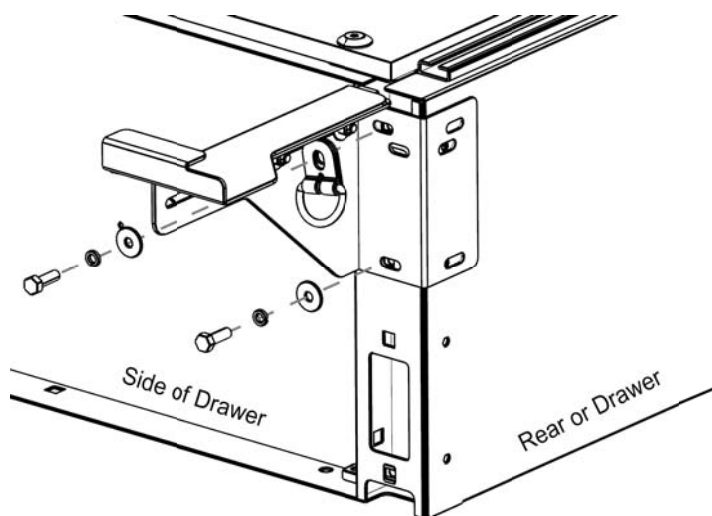


- (E) Loosen and remove the eight bolts at the rear of the Drawer System as indicated by the arrows.

If the Drawer System has the Corner Wings fitted from a previous installation, you will need to loosen and remove the Wings.

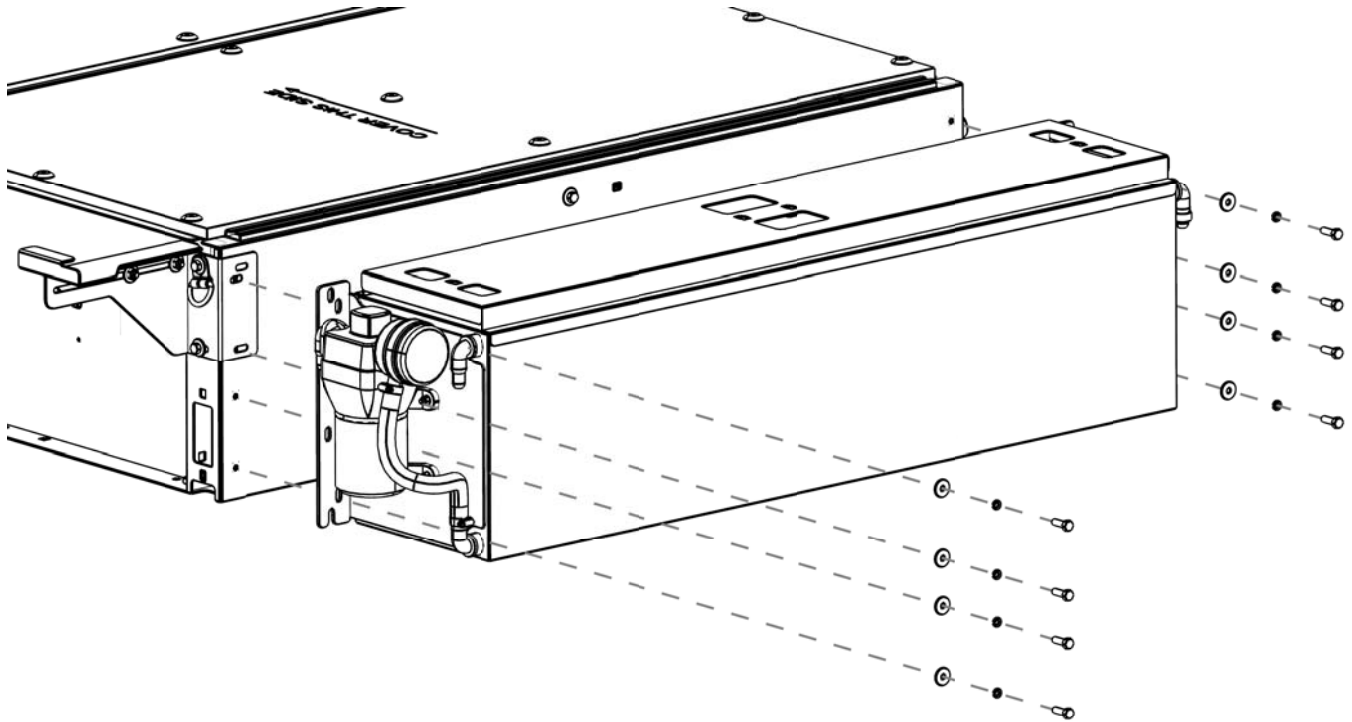


- (F) If you are fitting Wings and a Deck Set to your Drawer System, secure the "side" Corner Wing Assemblies and a D-ring (if required - refer to the vehicle specific Fitment Guide received with your Deck Set) to the Drawer System using four M6 x 20 Hex Bolts, four M6 x 19 Flat Washers and four Spring Washers supplied with your vehicle specific Deck and Wing Set as shown.



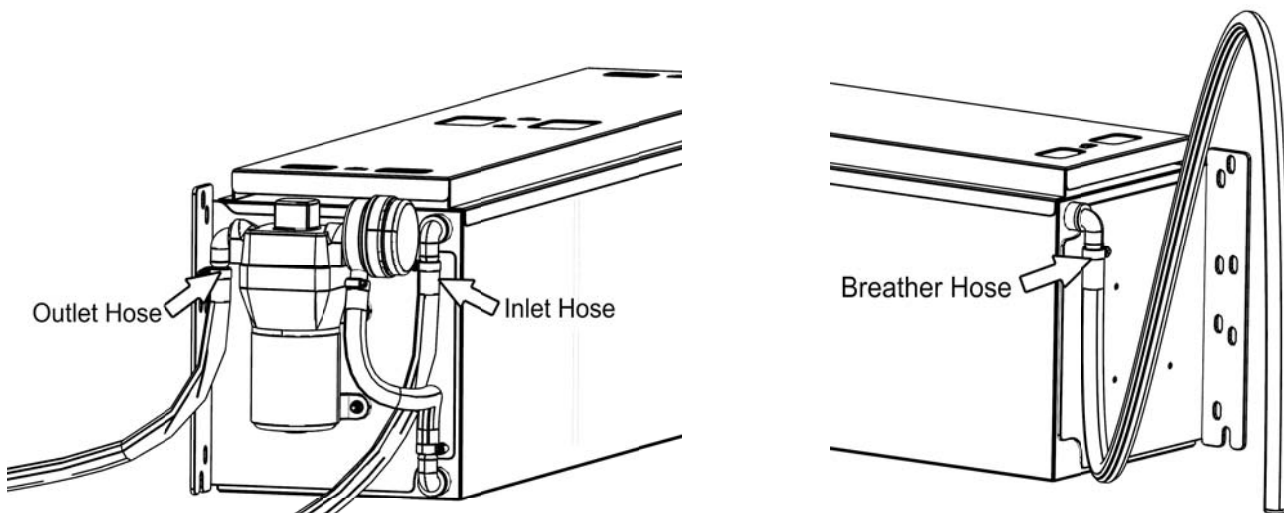
3 INSTALL WATER TANK

- (A) With the Drawer System placed loosely inside the vehicles load bay, secure the Tank to the rear of the Drawer System using the fasteners removed in Step 2E as shown below. Note the left hand side shows the Drawer System with the "side" Corner Wing Assembly fitted and the right hand side shows the Drawer System without the "side" Corner Wing Assembly fitted.



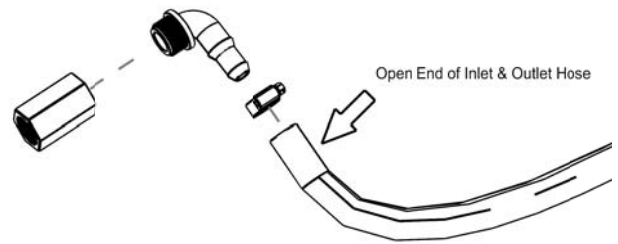
- (B) Referring to the appropriate Fitment Guide, secure the Drawer System in position.

- (C) Secure the Inlet, Outlet and Breather/Overflow Hoses (Items 1, 17, 18) to the Tank and Pump using three 16-25mm Hose Clamps (Items 3) as shown.



3 INSTALL WATER TANK CONT...

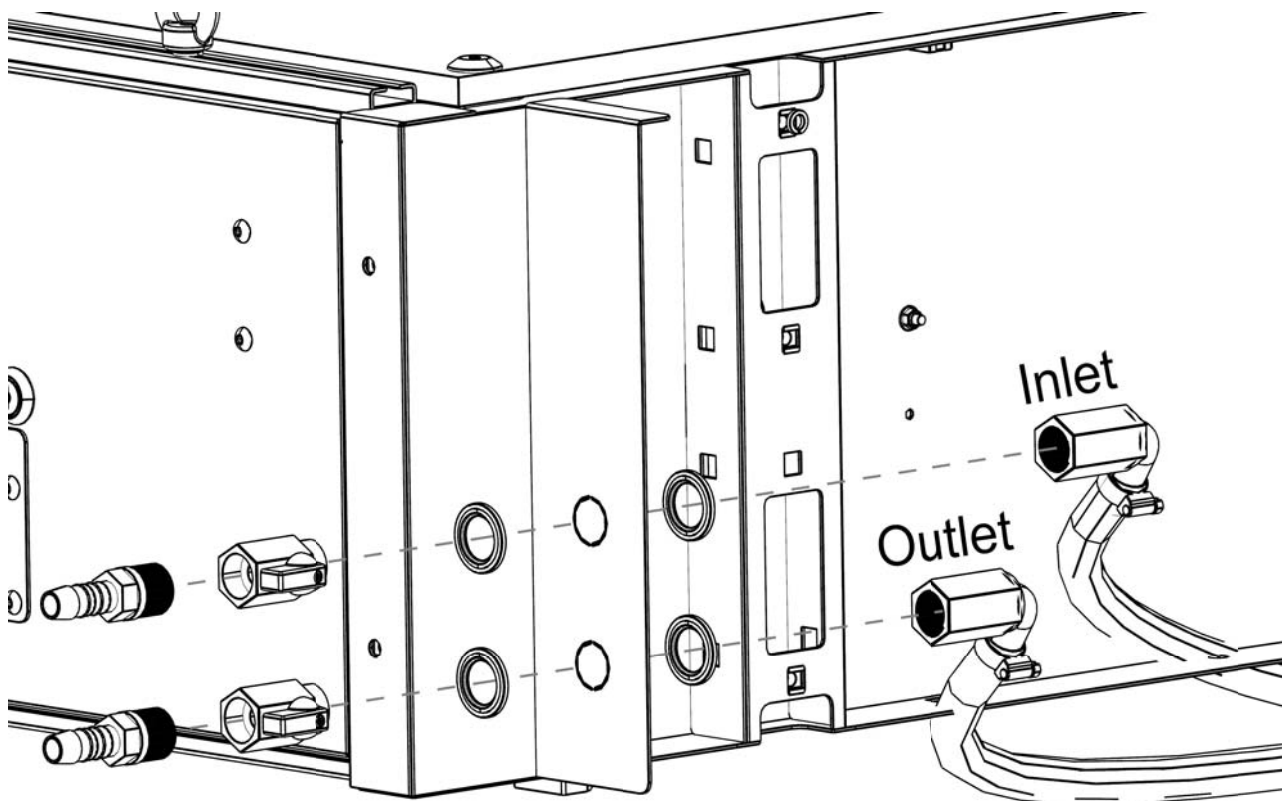
- (D) Wrap a small amount of thread tape around the thread of the remaining Plastic Elbows (Item 2) and fasten them to one end of each Adaptor (Item 15). Secure the barbed ends of the Elbows to the open ends of the Inlet and Outlet Hoses using a 16-25mm Hose Clamp (Item 3).



- (E) If you are fitting a vehicle specific Deck Set, refer to the last page of your Installation Guide received with your Decks and fit the RIGHT Front Face to the Drawer System.

- (F) Assemble the Inlet and Outlet Hoses, two Adaptors, four Bonded Washers, two Ball Valves and two Male Barbed Fittings (Items , 13, 14, 15, 16) to the Front Face as shown below. Remember to wrap a small amount of thread tape around the thread of each Male Barbed Fitting and Ball Valve.

If you do not have the Front face fitted the Ball Valve can be assembled to the Adaptor without the use of the Bonded Washers.



3 INSTALL WATER TANK CONT...

(G) Route the Breather/Overflow Hose to a suitable location.

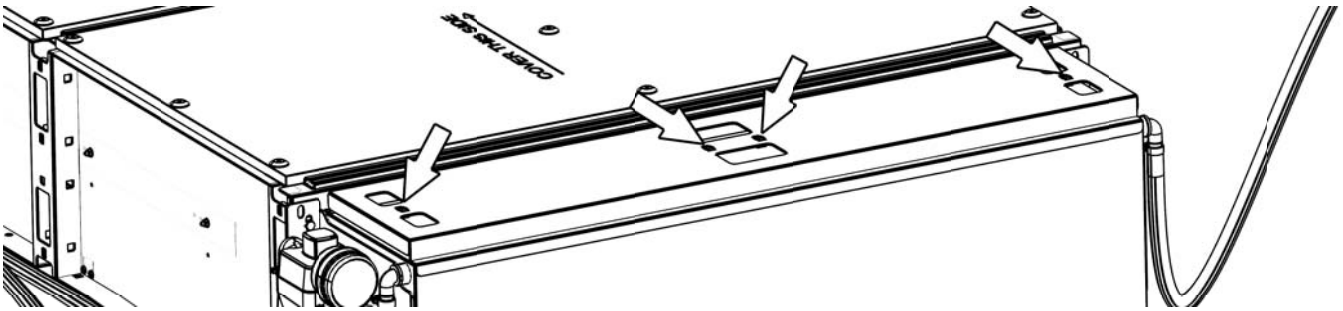
(H) Connect the Pump via a fuse to a suitable 12V power source. It is advised that you consult with an auto electrician, suitably qualified person or fitment center should you not know how to connect the Pump in a safe and correct manner.

The Pump works on a pressure switch system when powered. During periods of non use, it is advised that power be removed from the Pump and pressure released from the system by opening the Outlet Valve briefly. This will prolong the life of your Pump and O-ring Seals.

(I) To fill the Tank, connect a hose pipe to the Inlet Barbed Male Fitting, open the Ball Valve and fill the Tank. Watch the Breather/Overflow Pipe to tell when the Tank is full.

The Outlet Extension Hose (Item 19) can be connected to the Outlet Barbed Male Fitting if desired or may be discarded.

(J) If fitting a vehicle specific Deck Set, the rear Decks are secured to the Tank (Refer to Arrows) using the two M6 x 30 Countersunk Bolts and M6 Finishing Washers (Items 4 & 5) supplied with the Tank and a further two Countersunk Bolts and Finishing Washers supplied with your Deck Kit.



(K) Congratulations, you have completed your installation. Take a step back and admire your work. Good Job!

4 INSTALL OTHER VEHICLE AND RACK ACCESSORIES

(A) Now's the time to visit your favorite Front Runner dealer in person or online.