

**READ ME !** ⚠

Thank you for purchasing Front Runner Rotopax Side Mount Brackets.  
Before you start, take a moment to familiarize yourself with this Fitting Instruction and the components received.  
Refer to Page 2 for a list of all the components, quantities and tools required.

**IMPORTANT WARNING!** ⚠

IT IS CRITICAL THAT ALL FRONT RUNNER PRODUCTS BE PROPERLY AND SECURELY ASSEMBLED AND ATTACHED TO YOUR VEHICLE.  
IMPROPER ATTACHMENT COULD RESULT IN AN AUTOMOBILE ACCIDENT, AND COULD CAUSE SERIOUS BODILY INJURY OR DEATH.  
YOU ARE RESPONSIBLE FOR ASSEMBLING AND SECURING ALL FRONT RUNNER PRODUCTS TO YOUR VEHICLE. CHECKING THE ATTACHMENTS PRIOR TO USE, AND PERIODICALLY INSPECTING THE PRODUCTS FOR ADJUSTMENT, WEAR AND DAMAGE.  
THEREFORE YOU MUST READ AND UNDERSTAND ALL OF THE INSTRUCTIONS AND PRECAUTIONS SUPPLIED WITH YOUR FRONT RUNNER PRODUCT PRIOR TO INSTALLATION OR USE.  
IF YOU DO NOT UNDERSTAND ALL OF THE INSTRUCTIONS AND CAUTIONS, OR IF YOU HAVE NO MECHANICAL EXPERIENCE AND ARE NOT THOROUGHLY FAMILIAR WITH THE INSTALLATION PROCEDURES,  
YOU SHOULD HAVE THE PRODUCT INSTALLED BY A PROFESSIONAL INSTALLER OR OTHER QUALIFIED PERSONNEL.

# 1

## GET ORGANIZED

Here is what you are looking at for RRAC106

### IN THE BOX

1	2 X	RotoPax Side Mount Brackets
2	4 X	M8x20 Button Head
3	4 X	M8x16x1.6ss Flat Washer
4	4 X	M8 Nyloc Nut

### TOOLS NEEDED

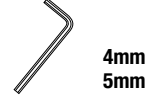
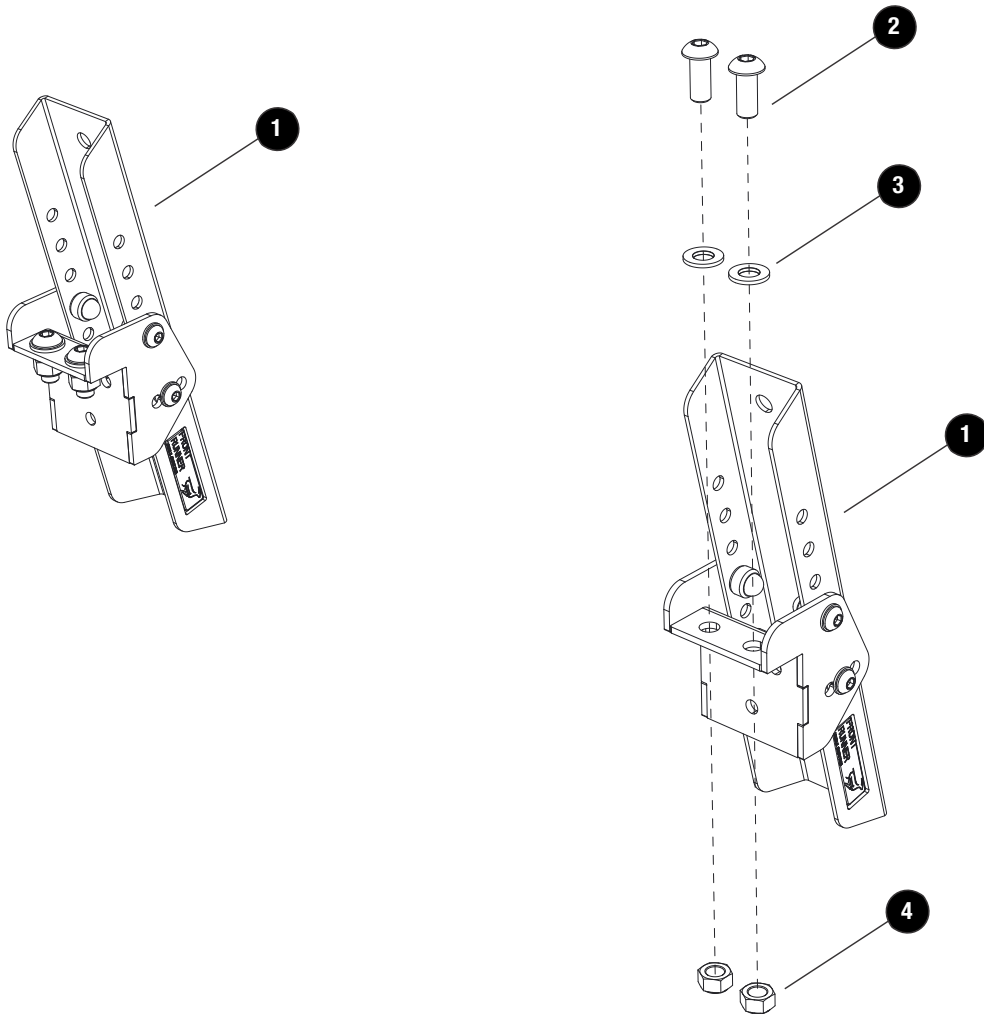
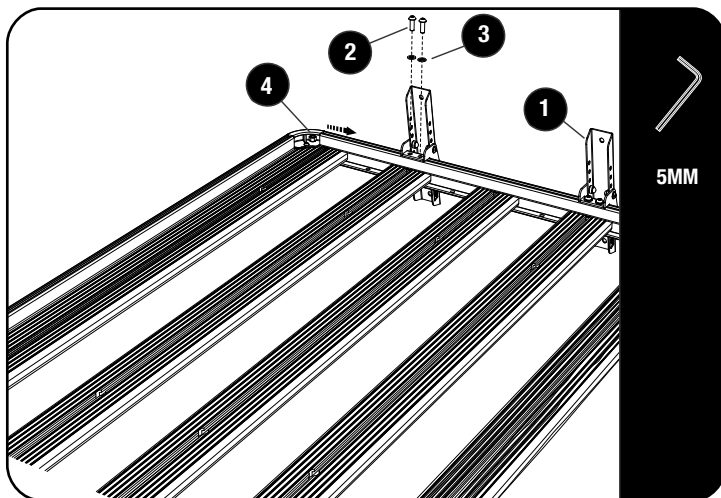


FIGURE 1.1



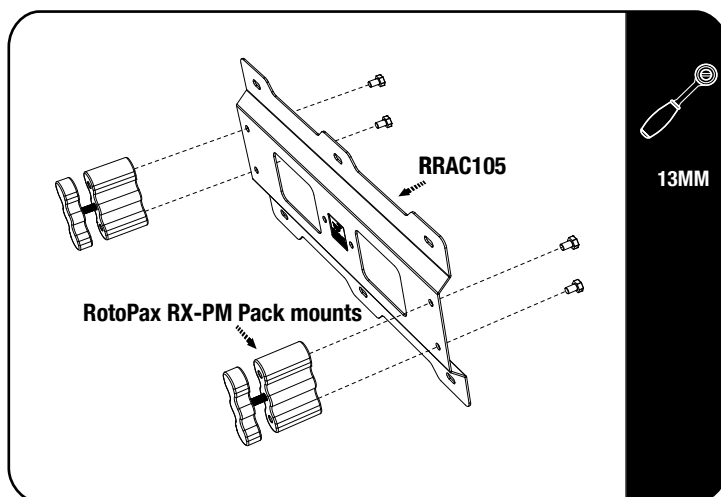
**2****FIT AND SECURE**

2.1



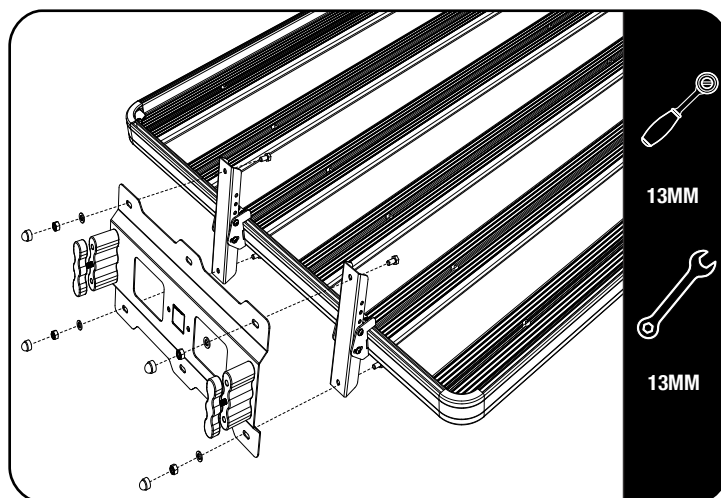
Slide 4 M8 nyloc nuts (item 4) into the side profile as shown and loosely fit the Rotopax side mounting brackets (item 1) with the fasteners shown.

2.2



Fit 2 Rotopax RX-PM Pack mounts to the Rotopax mounting plate (RRAC105). Fasteners are supplied with the Rotopax RX-PM Pack mounts.

2.3

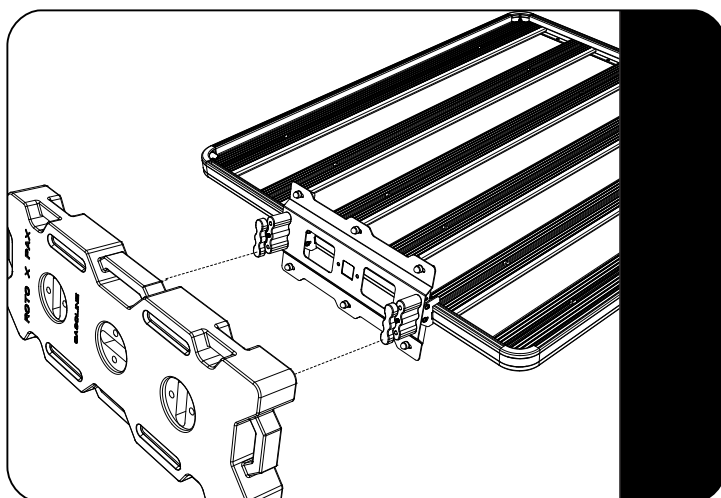


Fit the Rotopax mounting plate to the Rotopax side mounting brackets. Move the side mounting brackets to the desired position before fully tightening all the fasteners.

The brackets angles and height can be adjusted to suit the vehicle.

## 2 FIT AND SECURE

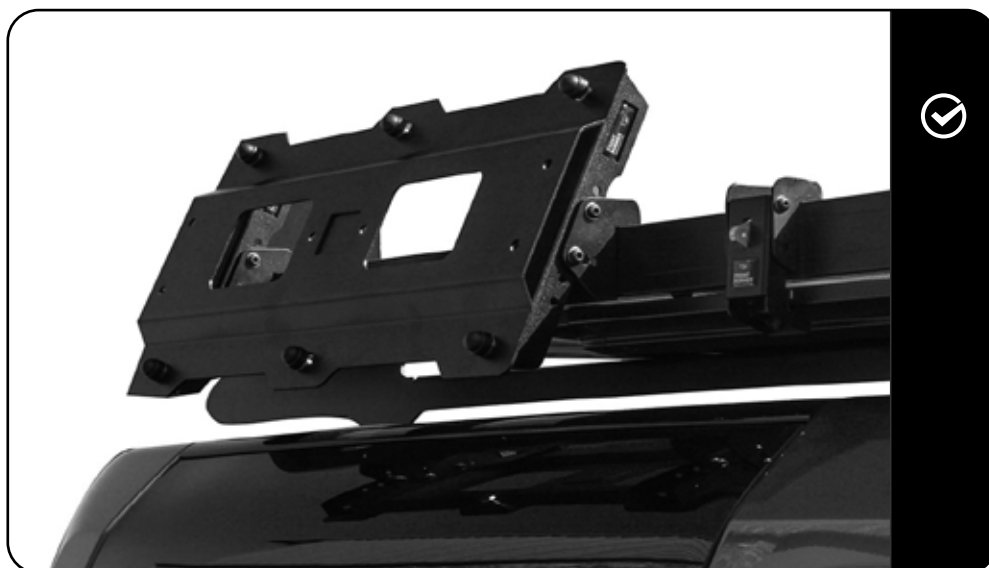
2.4



 Place the RotoPax over the RotoPax RX-PM Pack mounts and tighten.

## 3 COMPLETION

3.1



**Congratulations. You did it. Take a step back and admire your work!**

## 4 INSTALL OTHER VEHICLE AND RACK ACCESSORIES

Now's the time to visit your favorite Front Runner Dealer in person or online.