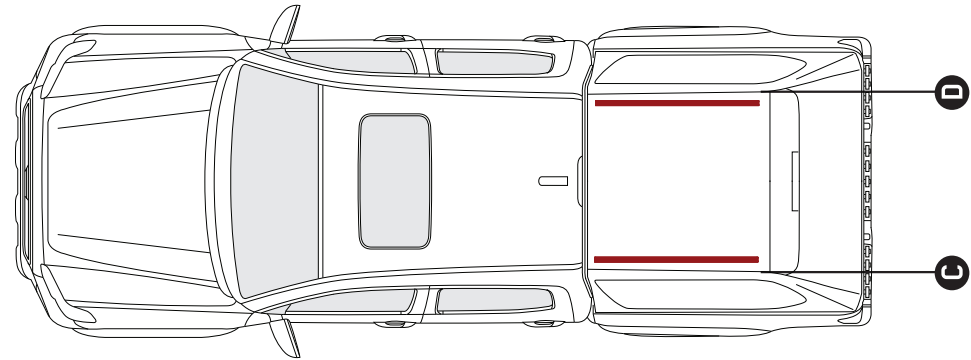
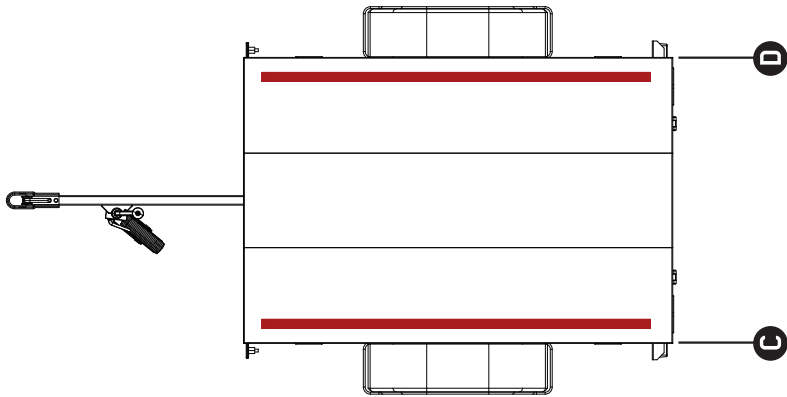
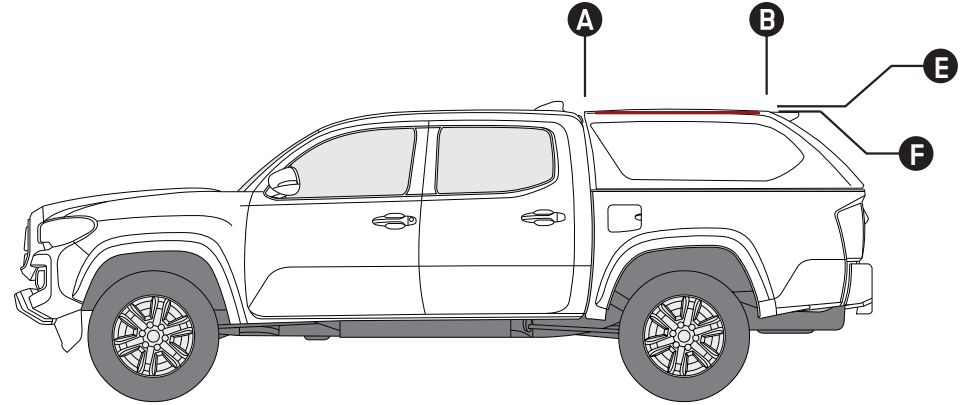
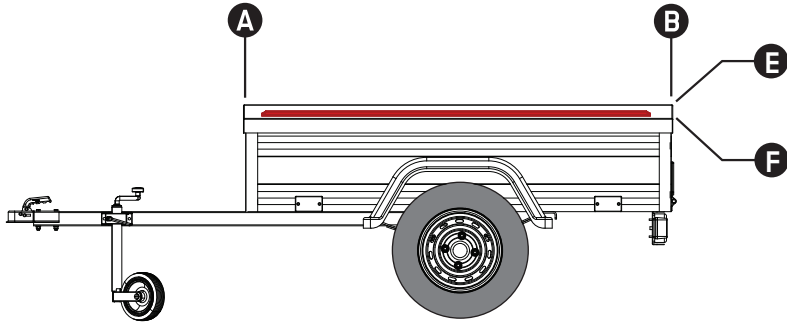


MEASURING TIPS

FOR CANOPY/CAPS/CAMPER SHELLS AND TRAILERS WITH RIGID TOPS



REQUIRED MEASUREMENTS *RED LINES INDICATE SUGGESTED TRACK PLACEMENT

- | | | | | | |
|-----|--|---|----------------------|---|--|
| A-B | MAXIMUM FLAT LENGTH OF CANOPY/CAP OR TRAILER TOP | → | <input type="text"/> | → | CHOOSE RACK LENGTH NO LONGER THAN THIS # |
| C-D | MAXIMUM WIDTH OF CANOPY/CAP OR TRAILER TOP | → | <input type="text"/> | → | CHOOSE RACK WIDTH NO WIDER THAN THIS # |
| E-F | HEIGHT FROM SUGGESTED TRACK PLACEMENT TO HIGHEST POINT/PEAK OF CANOPY/CAP OR TRAILER | → | <input type="text"/> | → | IF THIS NUMBER IS MORE THAN 50mm / 2" CHOOSE THE "TALL" OPTION
IF MORE THAN 75mm / 3" PLEASE CONTACT US |

*These are just guidelines to help you choose an appropriate sized rack. For further information, please read the installation instructions found on the install tab.