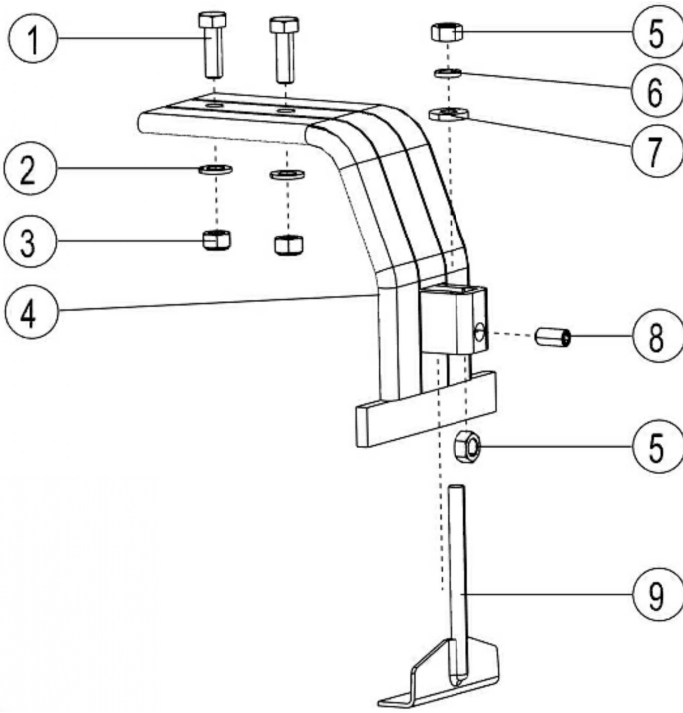




# 1

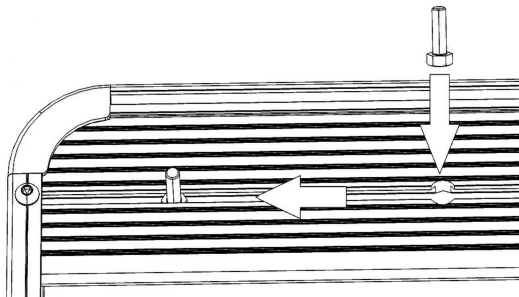


#### You will need:

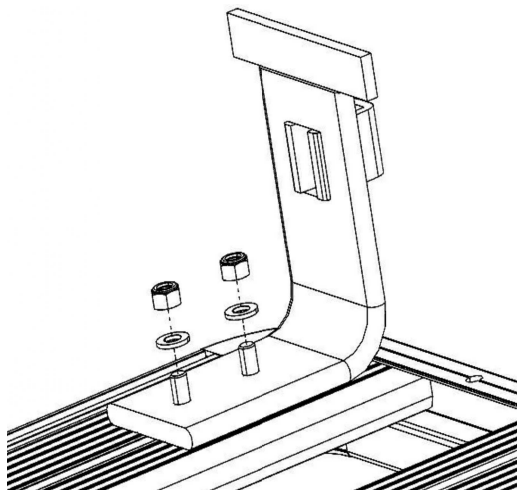
- a 13mm Flat Wrench
- a 4mm Hex Key
- a Tape Measure
- a Friend

Item #	Quantity	Description
1	2	M8x25 HEX BOLT
2	2	M8 FLAT WASHER
3	2	M8 NYLOC NUT
4	1	LEG
5	2	M8 HEX NUT
6	1	M8 SPRING WASHER
7	1	M8x19x3 FLAT WASHER
8	1	M8x12 GRUB SCREW
9	1	GUTTER CLAMP

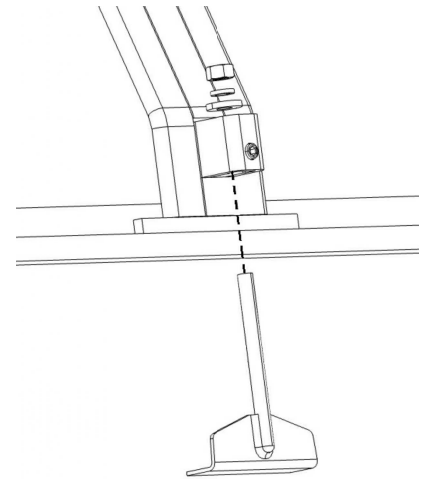
# 2



# 3



# 4



Fasten Grub Screw  
After Fitment is  
Complete

