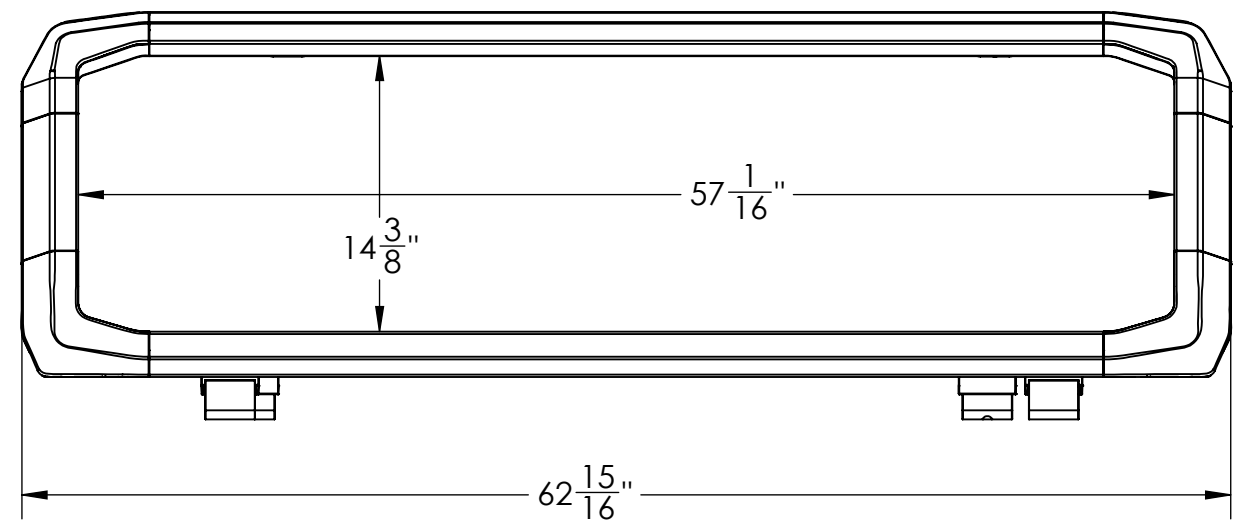
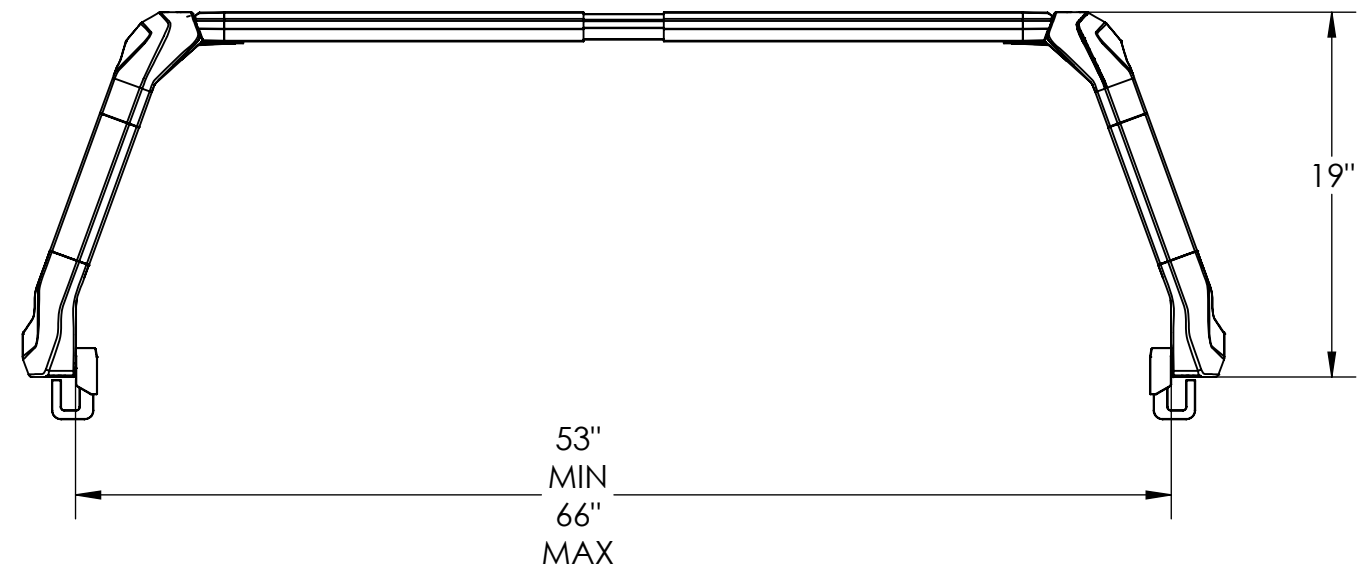
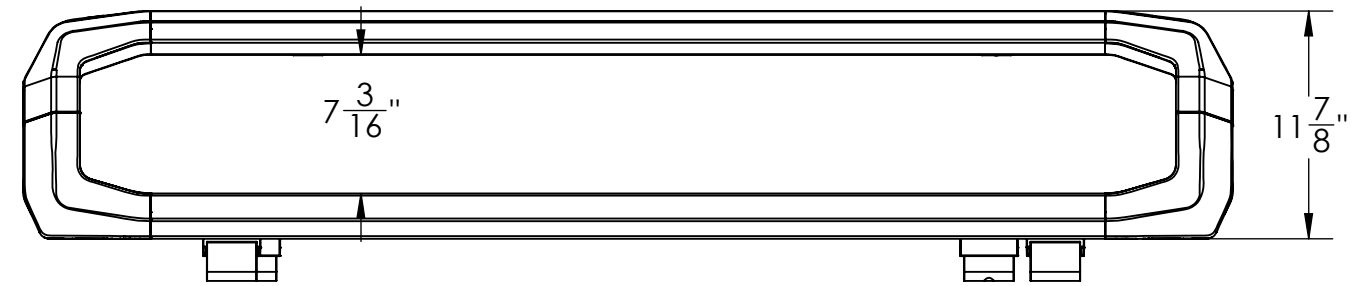
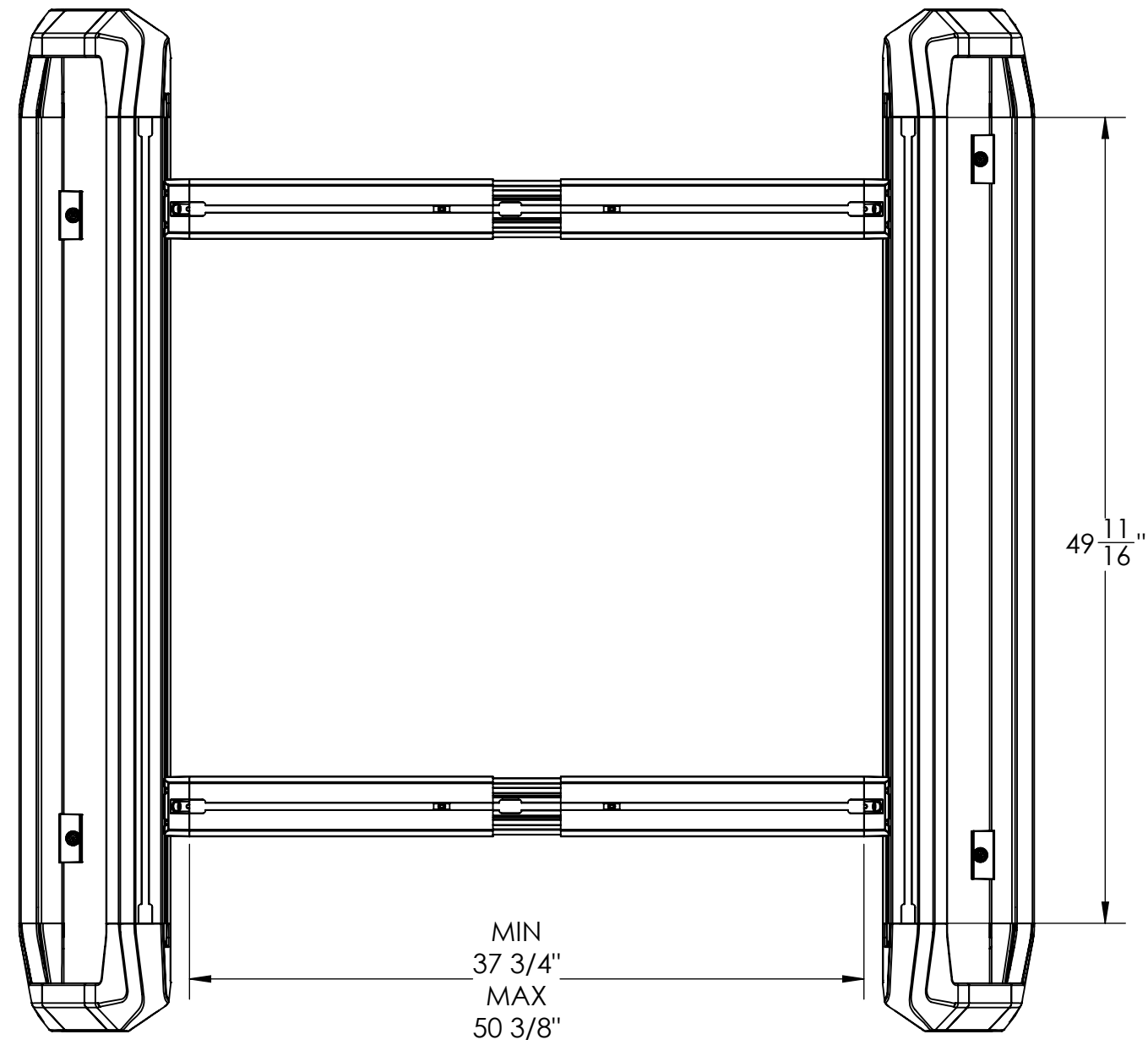
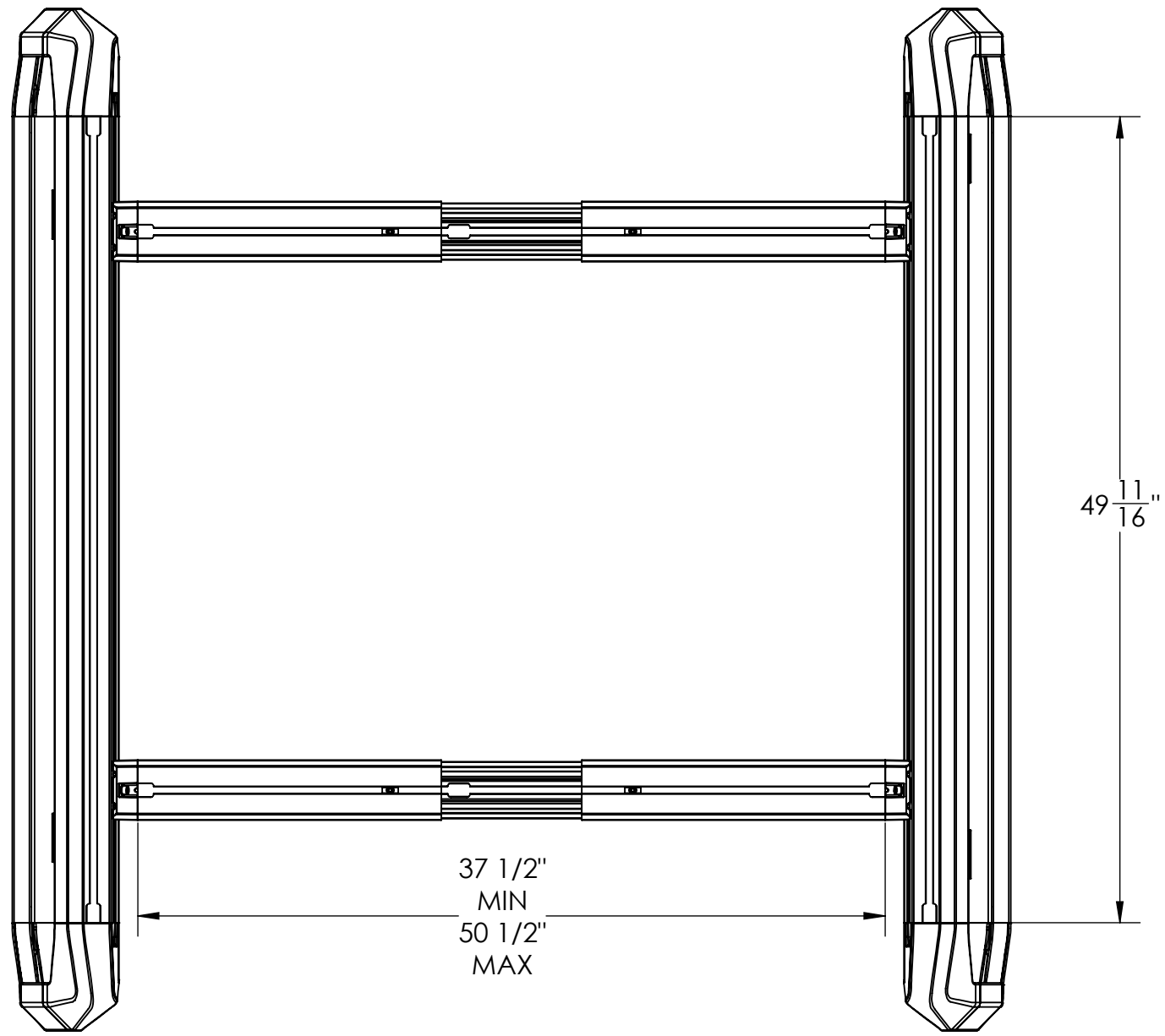


IBEXA1  
MID SIZE TRUCK - SHORT BED

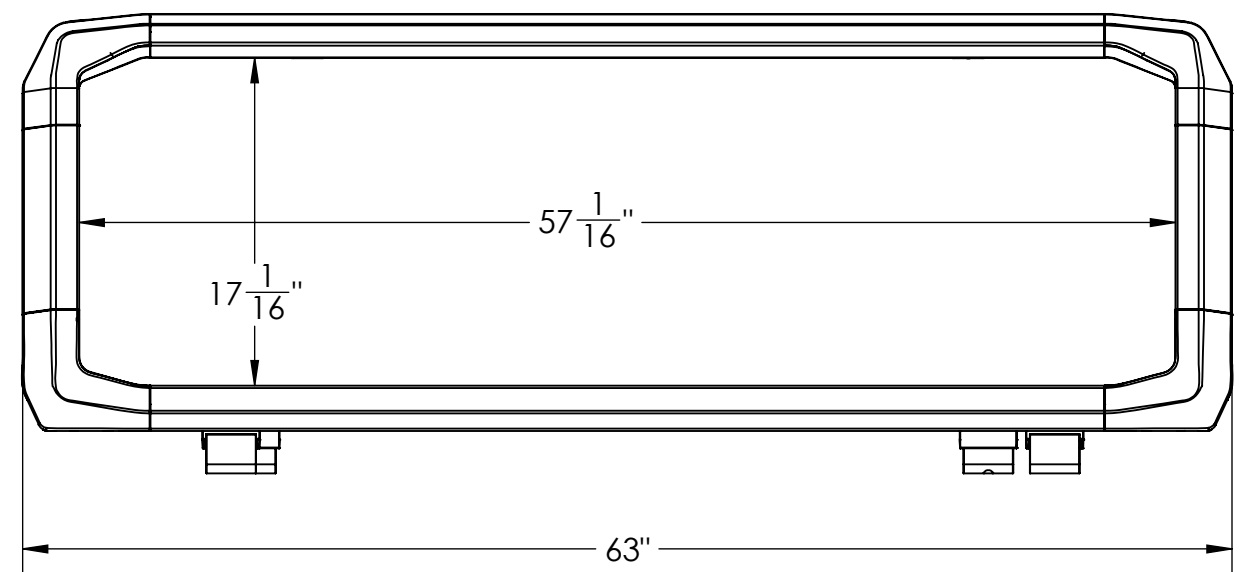
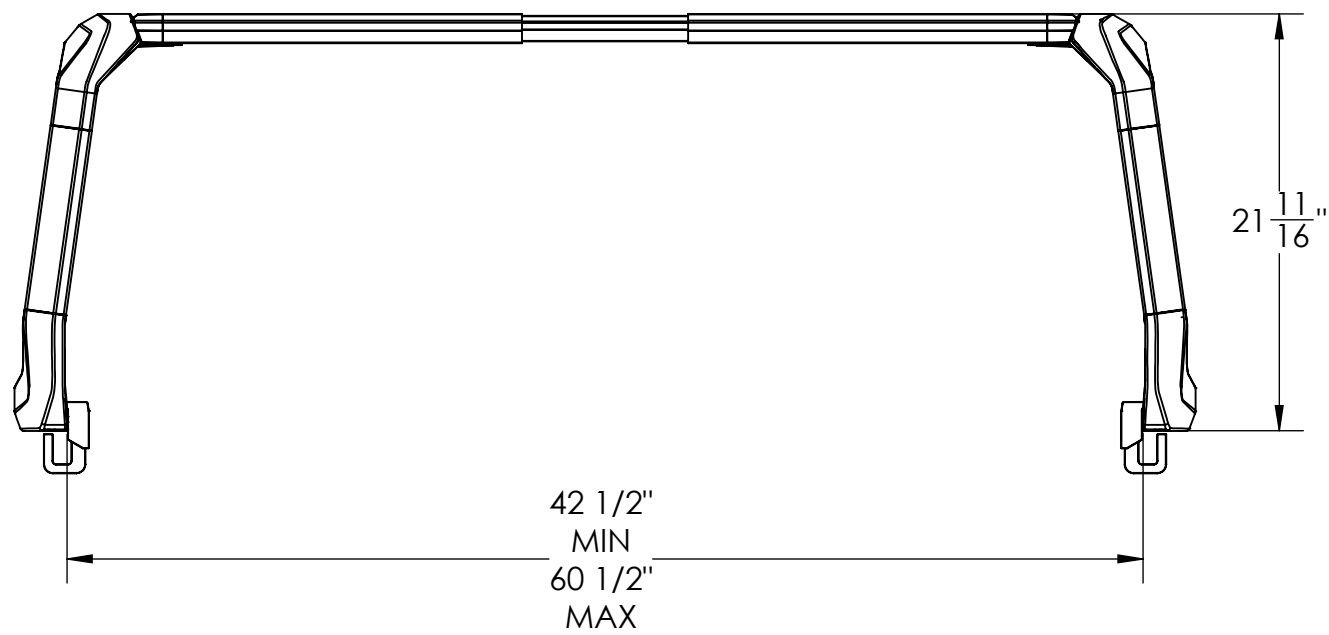
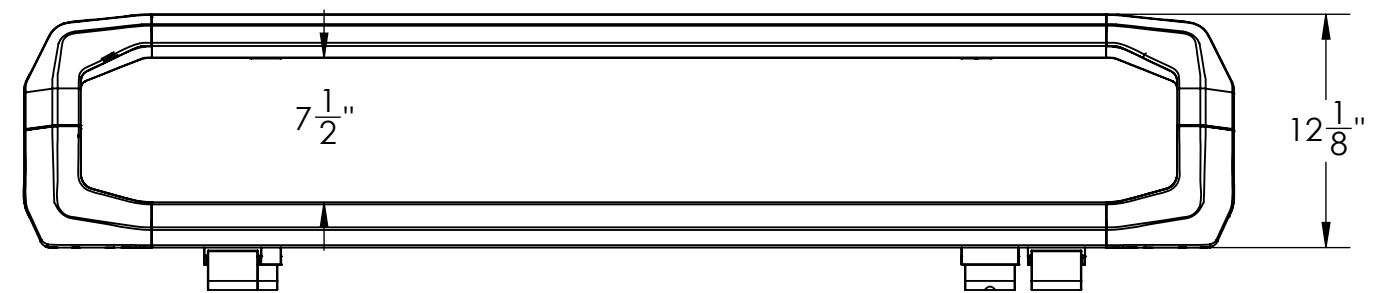
Mid Height Configuration

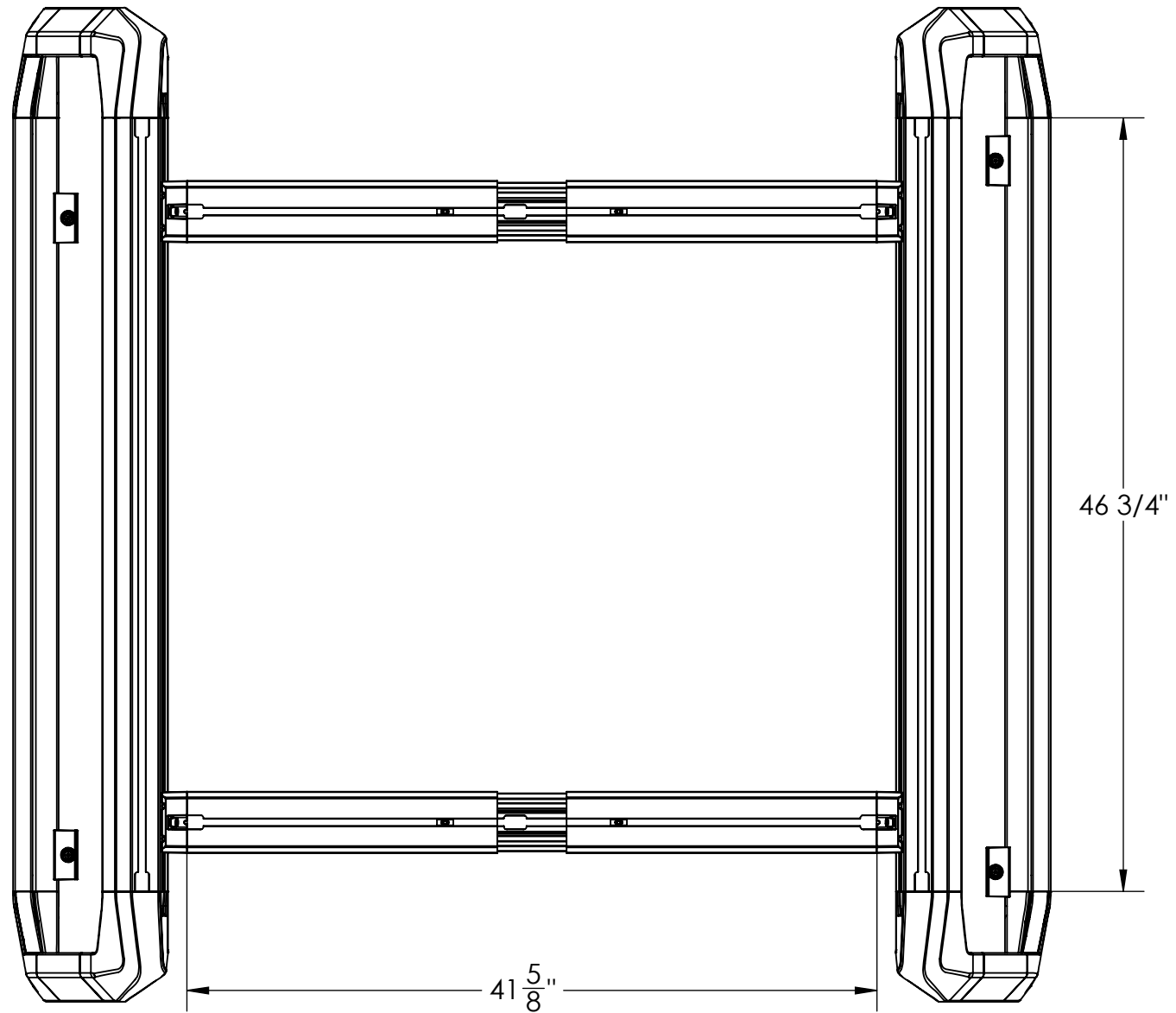




IBEXA2  
GLADIATOR

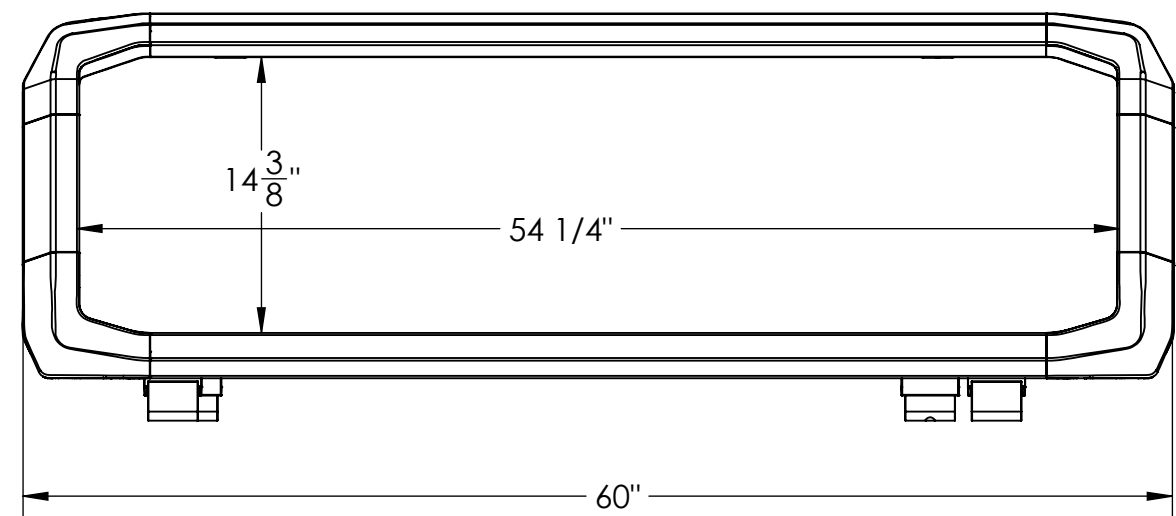
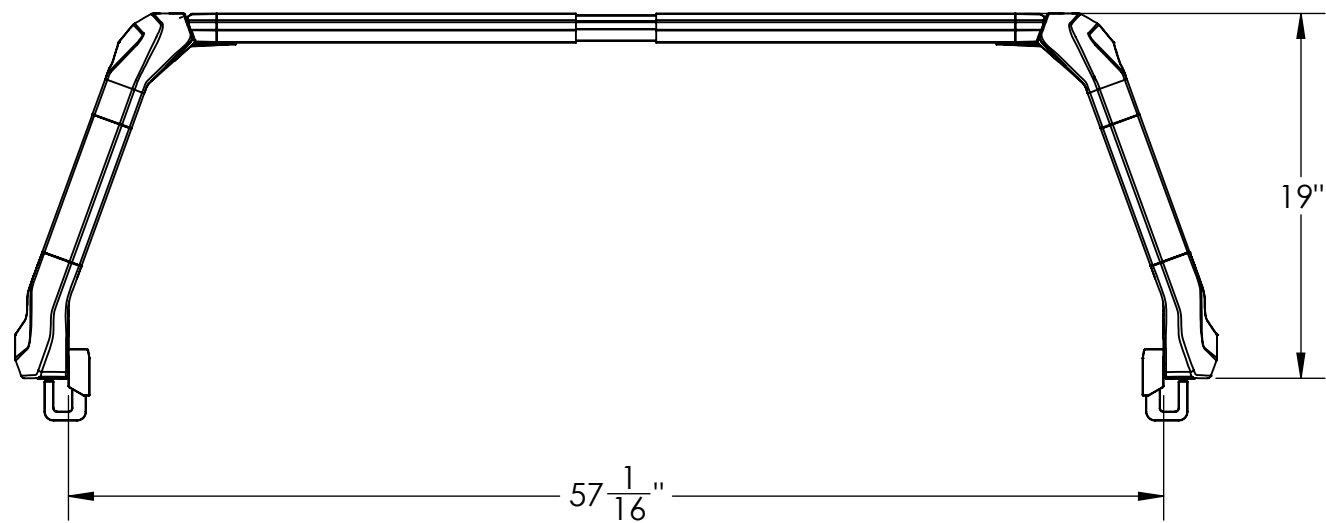
Mid Height Configuration

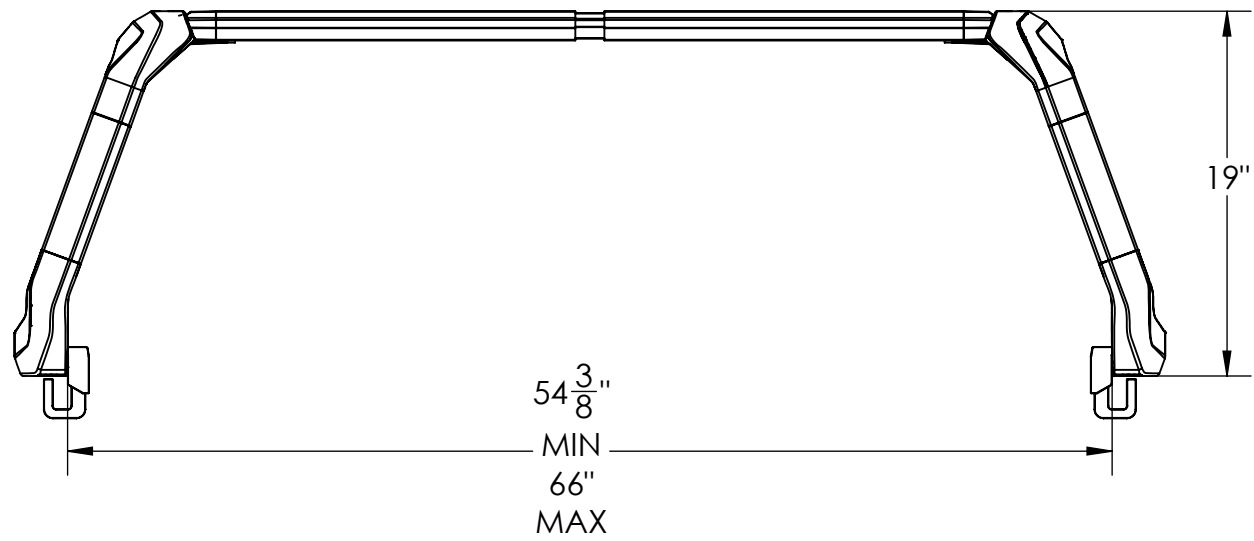
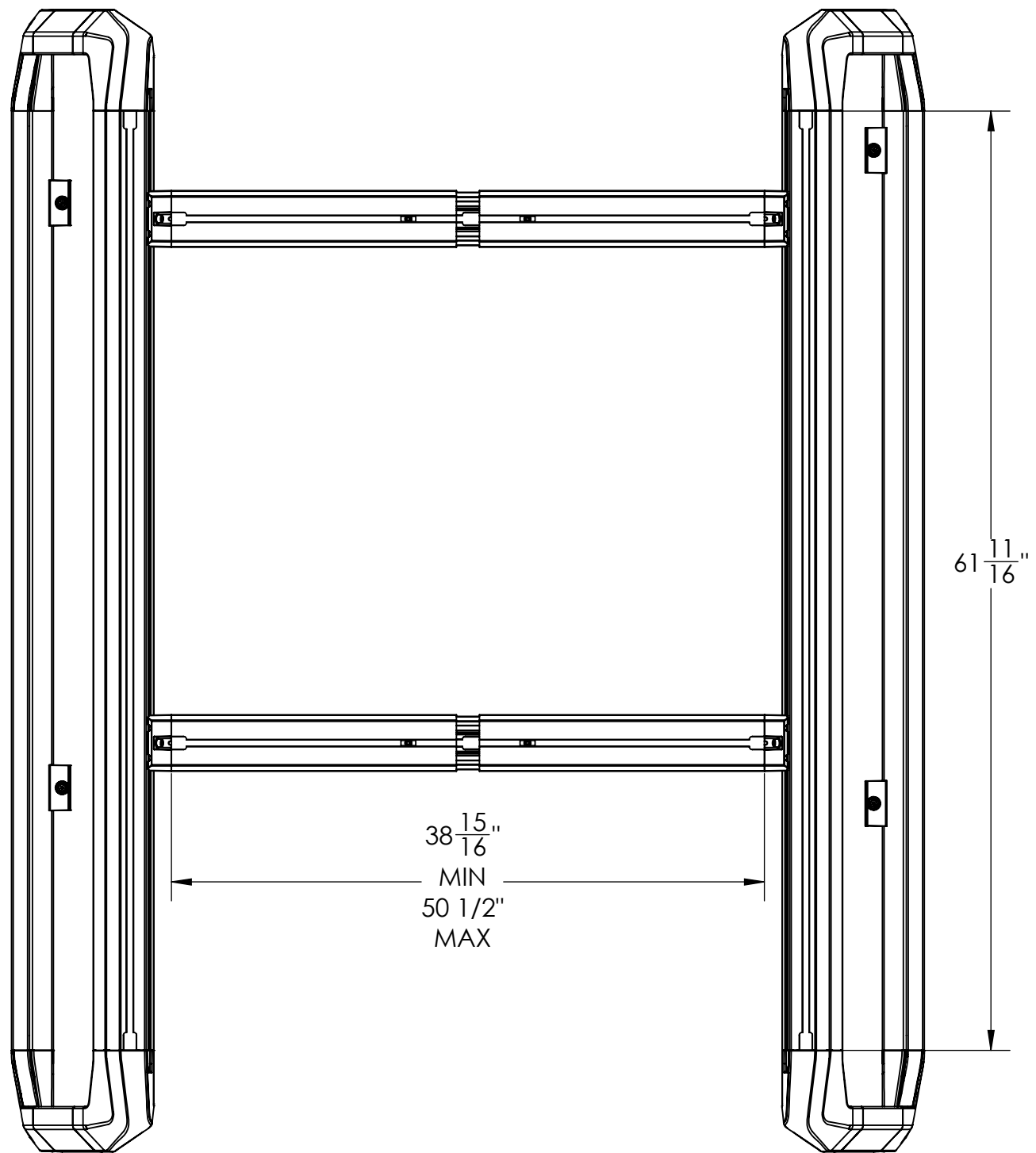




IBEXA3  
MID SIZE TRUCK - SHORT BED 2

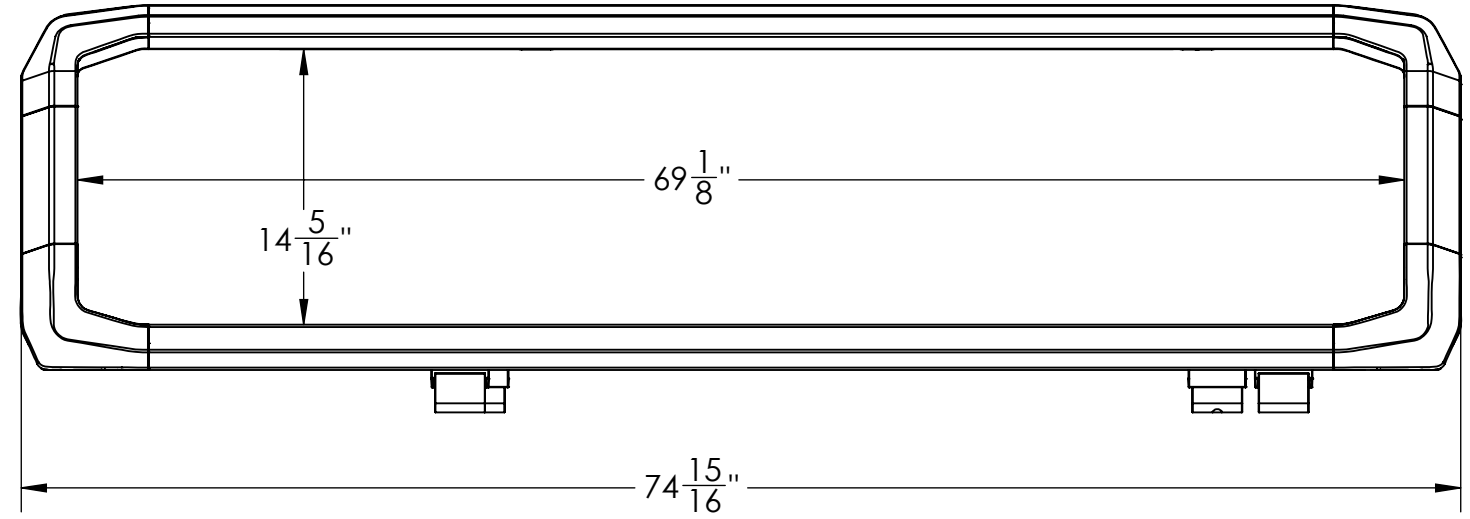
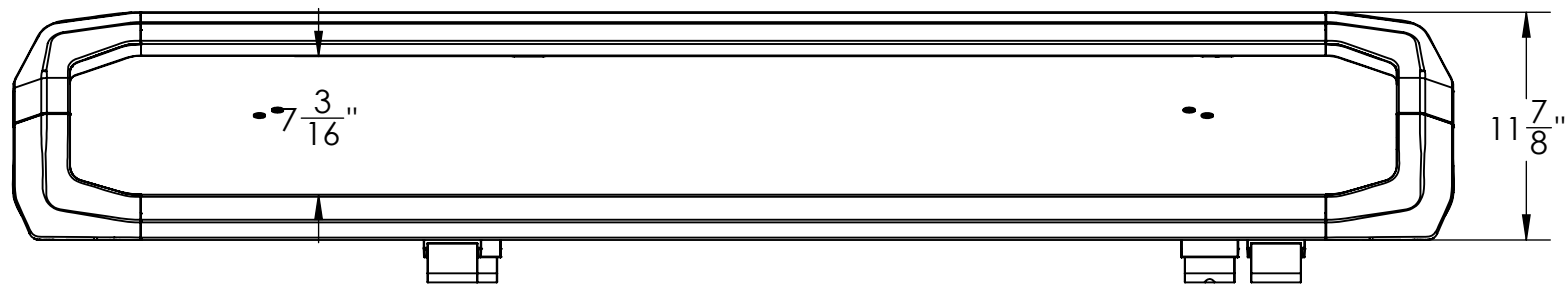
Mid Height Configuration

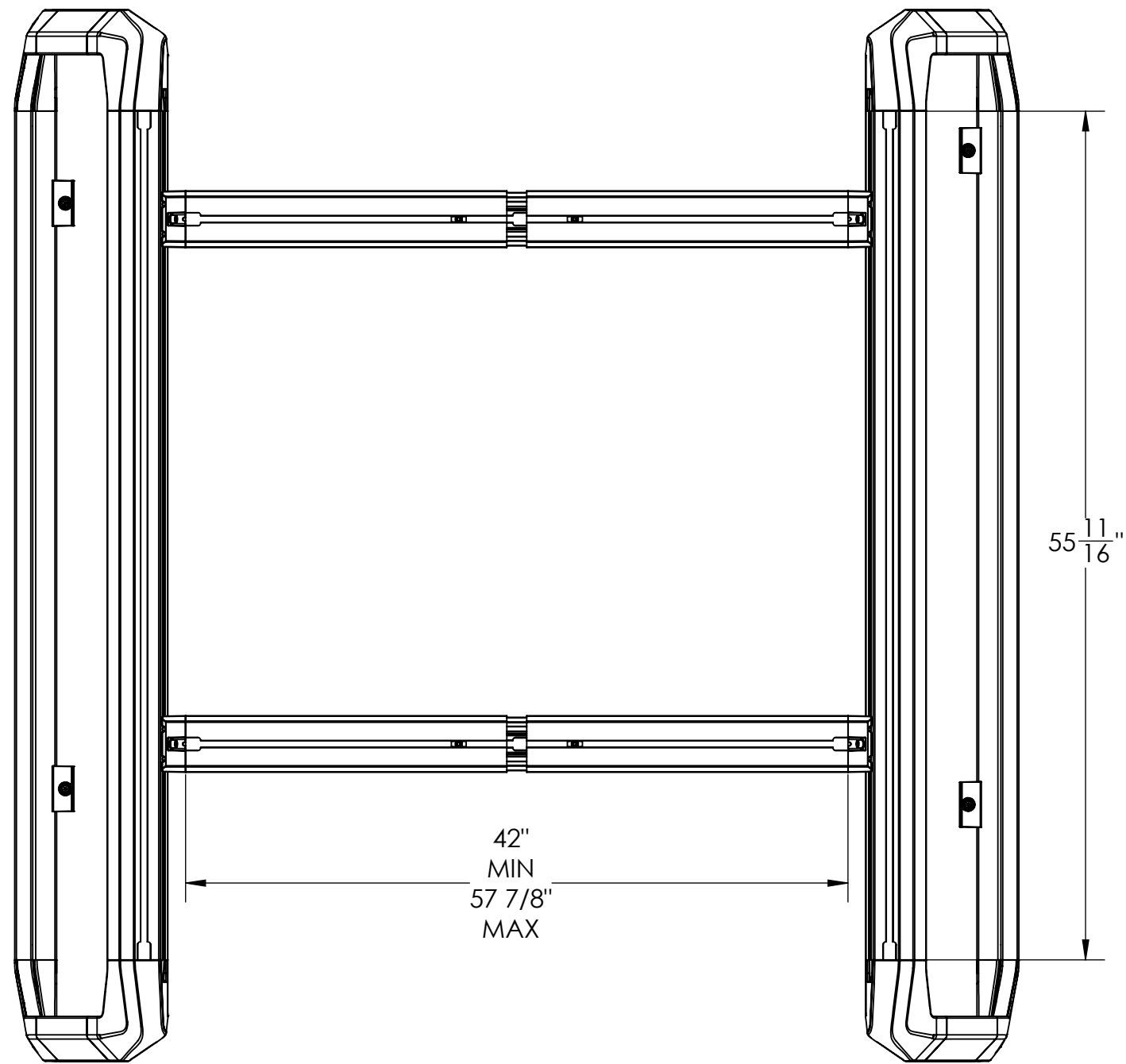




IBEXC1  
MID SIZE TRUCK - LONG BED

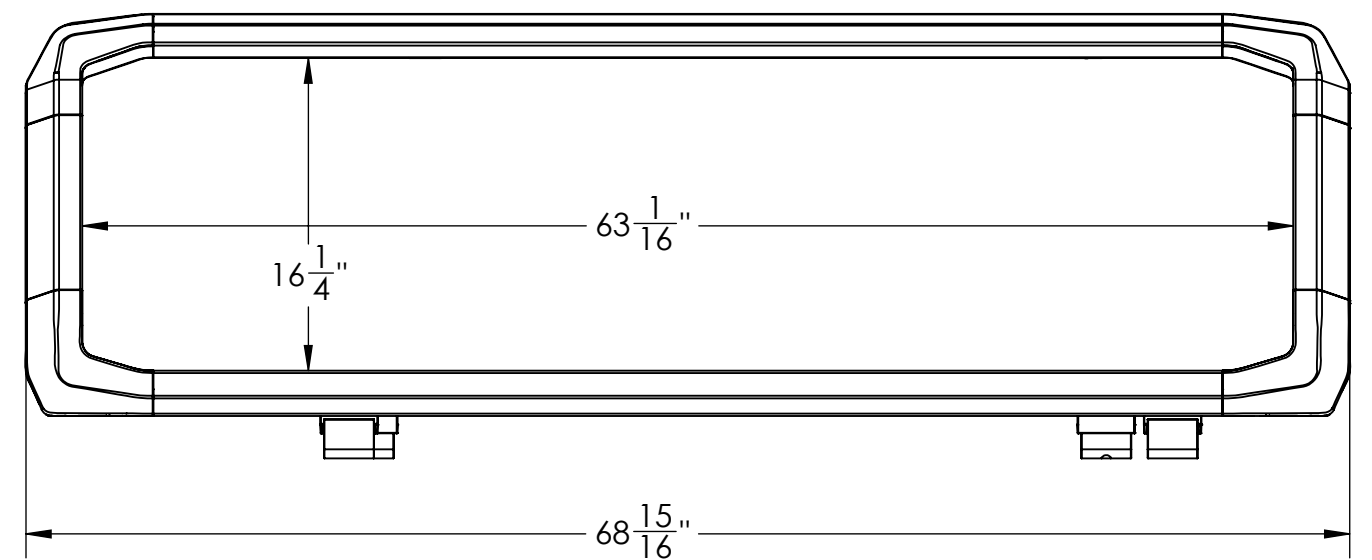
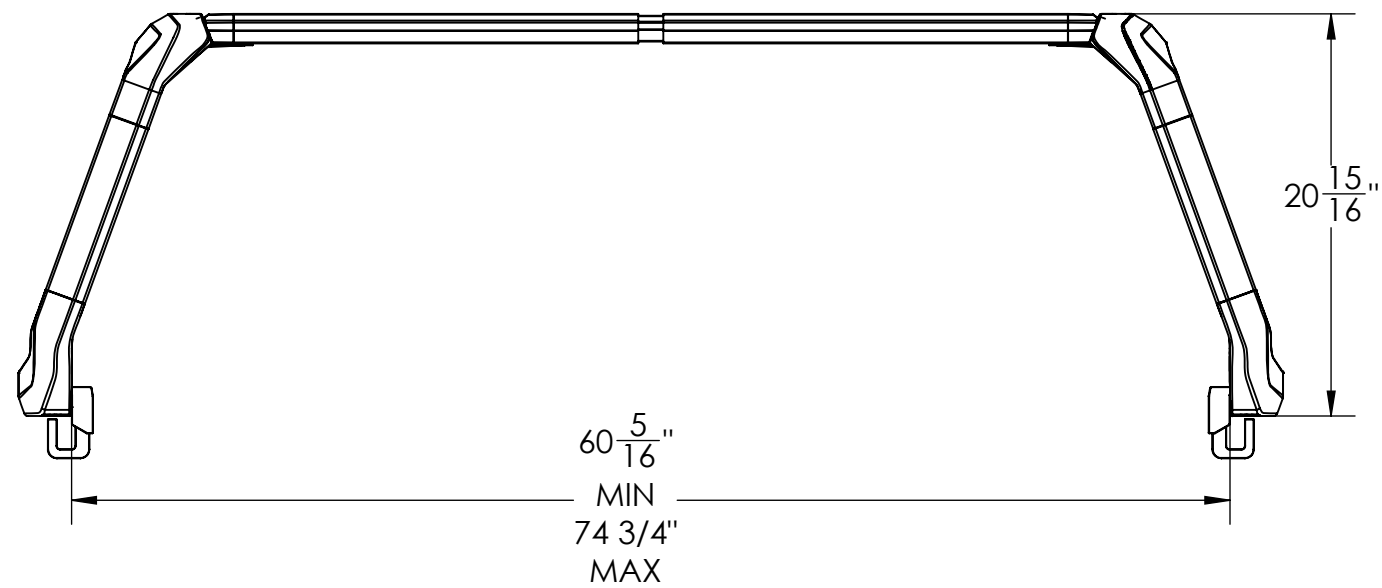
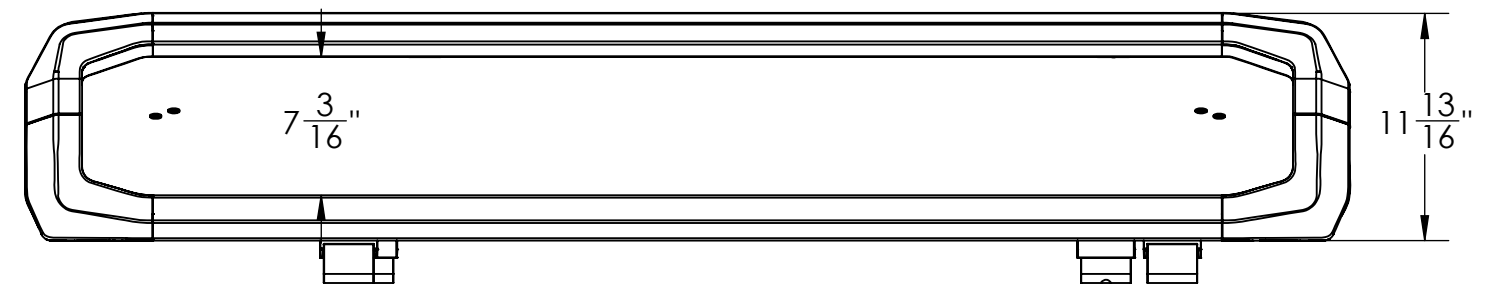
Mid Height Configuration

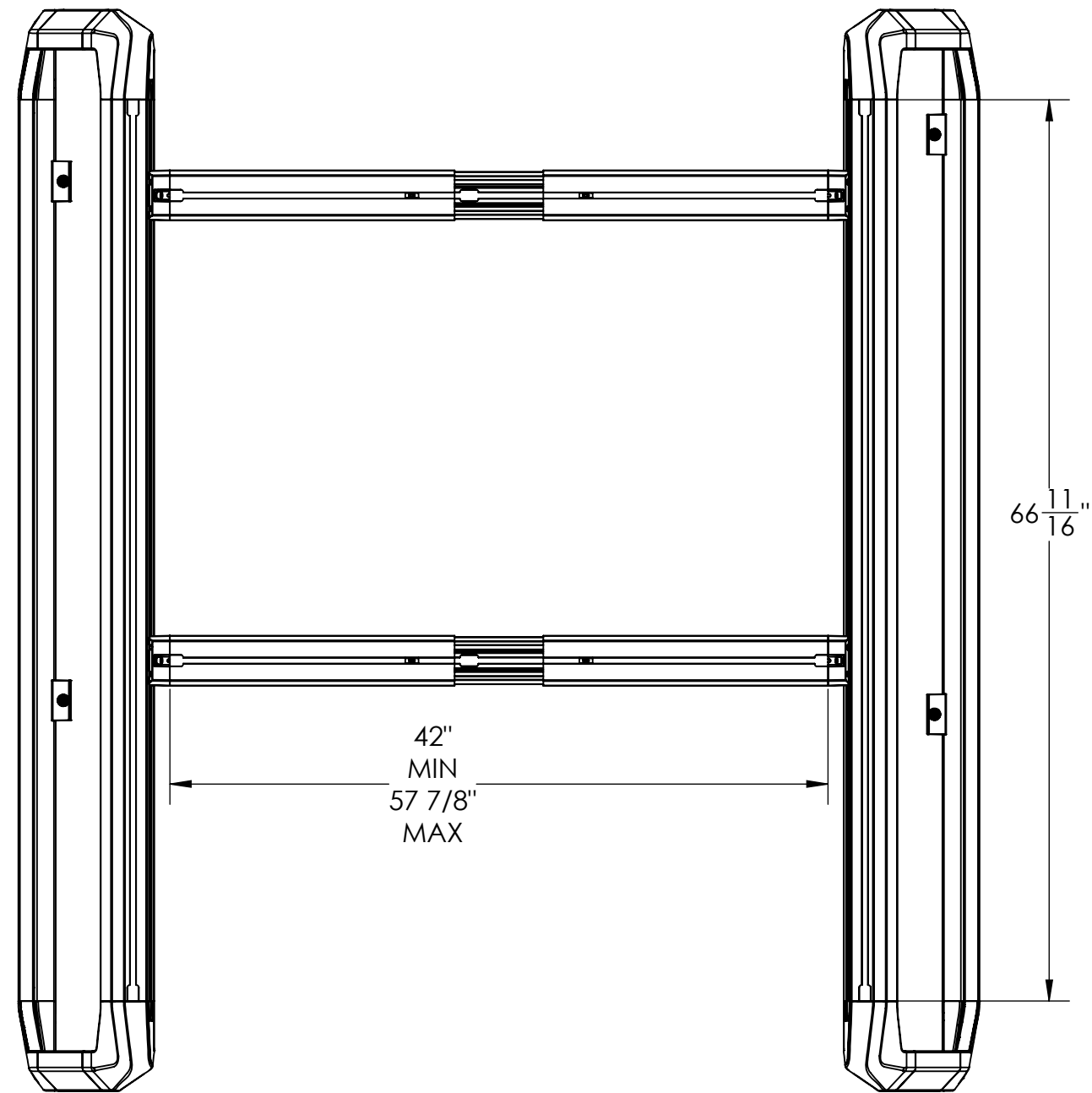




IBEXB2  
FULL SIZE TRUCK - SHORT BED

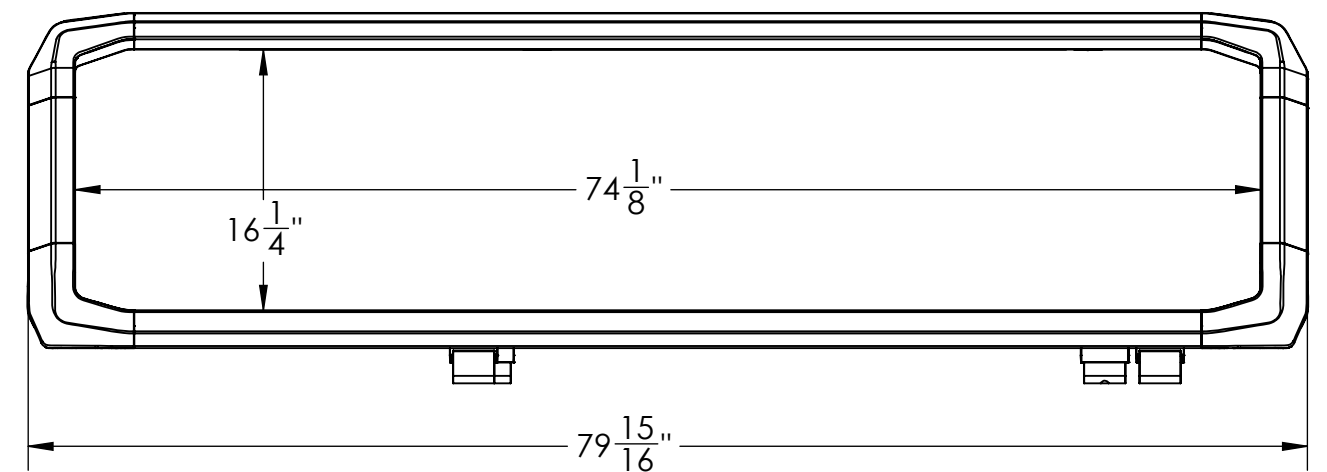
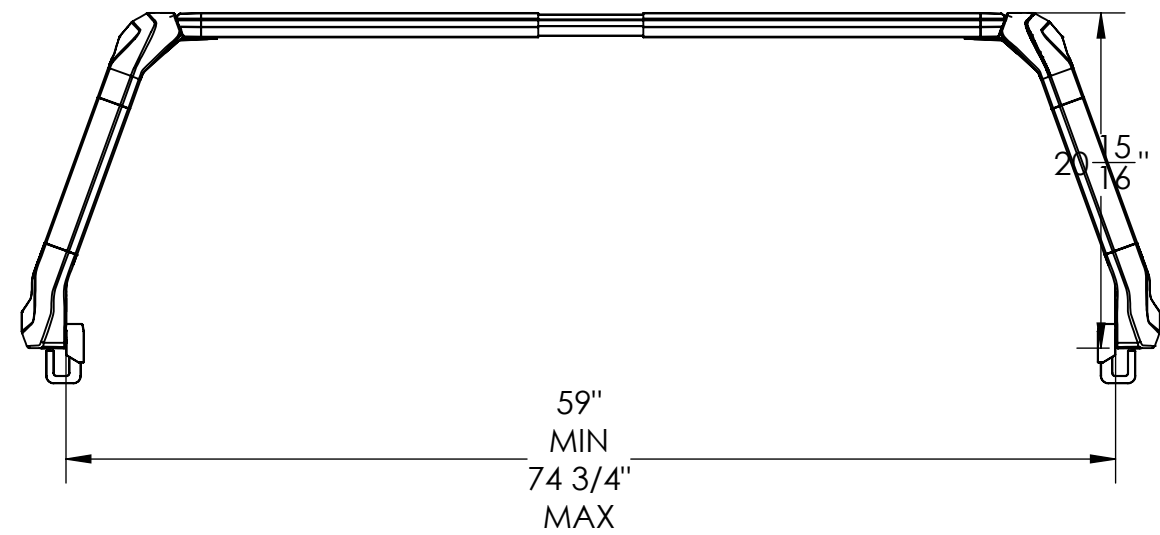
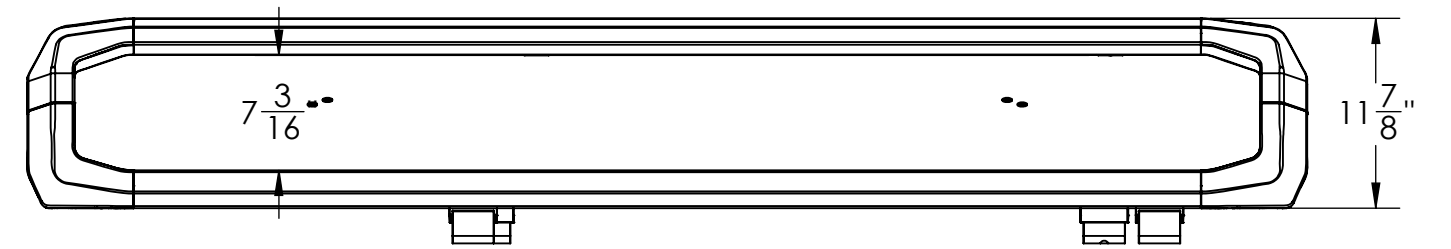
Mid Height Configuration

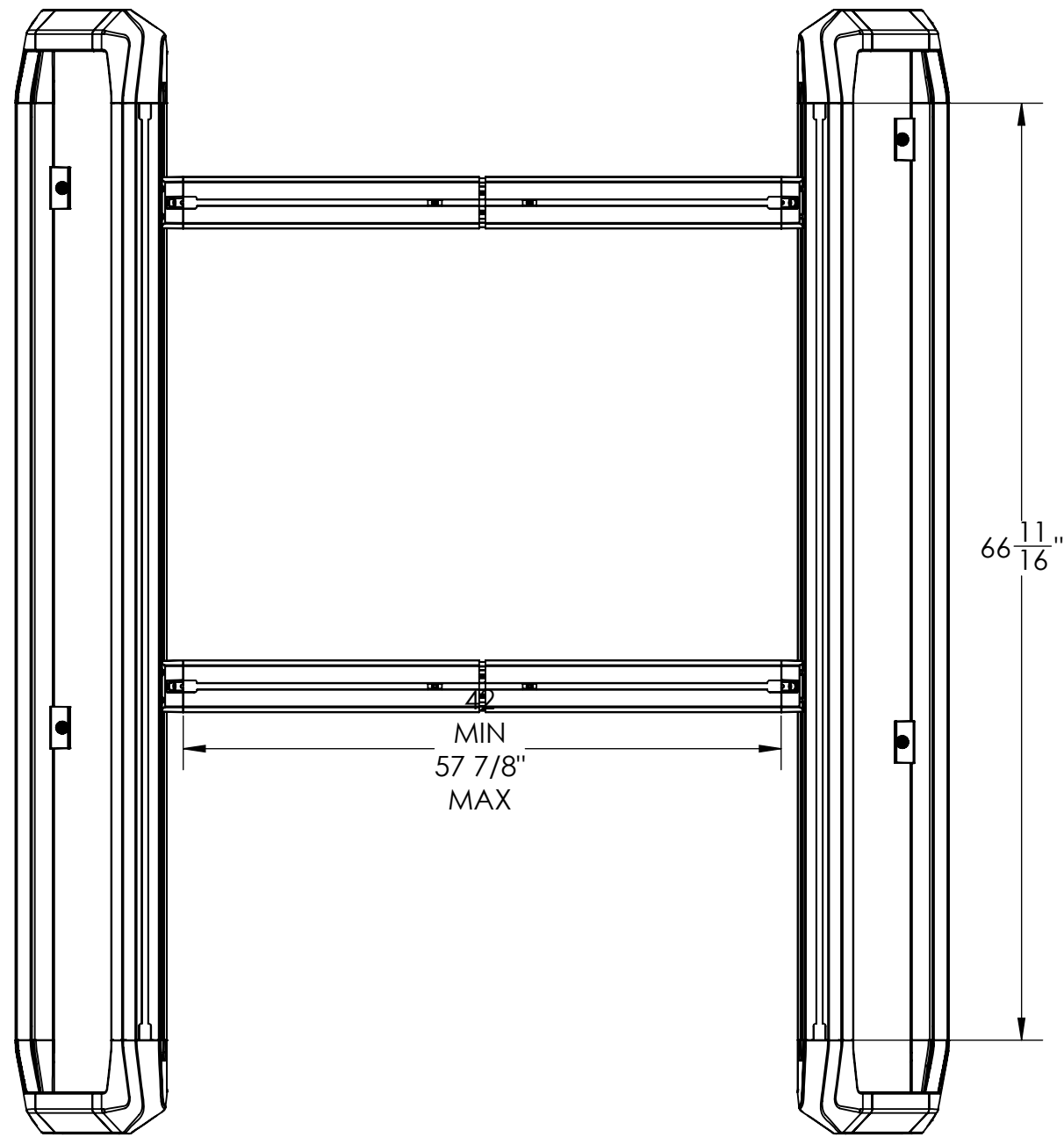




IBEXD2  
FULL SIZE TRUCK - MEDIUM BED

Mid Height Configuration





IBEXD3  
HEAVY DUTY TRUCK - SHORT BED

Mid Height Configuration

