



upTOP grabHANDLE 2.0

Thank you for selecting upTOP™ as the choice for your adventure gear. These new grab handles are built on years of field testing and refinement to offer the most ergonomic feel and user friendly installation on the market. We've carefully selected construction materials to provide years of worry free use with an aggressive design sure to enhance the utility of any roof rack.

This product is compatible with the following roof racks:

- upTOP Alpha (2018-Up)*
- upTOP Bravo (2018-Up)
- upTOP Zulu (2023-Up)
- Prinsu*
- Front Runner Slimsport Series**

TOOLS REQUIRED***

- 3/16 Allen wrench
- 1/2 wrench
- Rubber Mallet
- Soapy water mix for slip agent.

You are encouraged to inspect the contents of your package prior to completing assembly and installation. For any missing/damaged parts email pictures and descriptions to support@uptopoverland.com with your order number as reference in the subject line. A specialist will assist you with the process for field repair or component replacement.

- ***The hardware included with this kit requires 8mm clearance for through bolt applications.***
- ***For Alpha Roof Racks please use the hardware included in your 8001 master hardware kit.***
- ***For all other roof rack models please use the hardware shipped with your handles.***

upTOP products are designed, manufactured and tested in the Rocky Mountains of Colorado. Each product is meticulously engineered to rigorous standards with emphasis on rigidity, practicality and the signature upTOP look. Never use a product in a manner inconsistent with its design. Never exceed verified product load capacity. Never alter, manipulate or otherwise modify our product without express written permission.

**Alpha racks with silver hardware will require 5mm Allen wrench.*

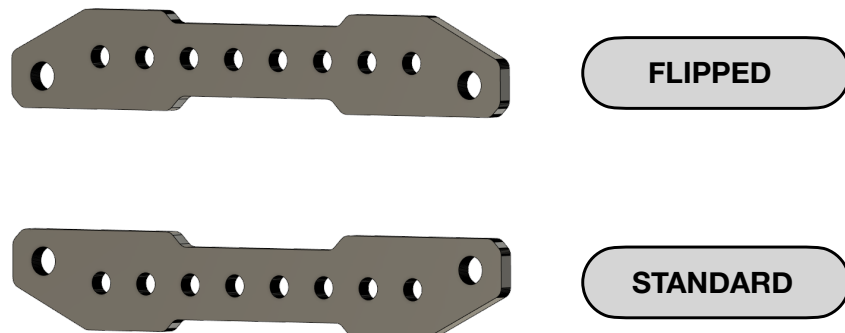
***Roof rack modification may be required.*

****Some roof racks may require additional tools for removal of old handles or installation of new handles.*

KIT CONTENTS

Component	Quantity	Description
Handle	2	Cast aluminum grab handle/Color varies
Gripper	4	Urethane handle gripper
Lace Plate	2	Mounting plate
Spacer 1	4	Thin Spacer/HDPE Polymer/Black
Spacer 2	4	Thick Spacer/HDPE Polymer/Black
Button Head Bolt	4	Black Zinc Coated Stainless Steel Bolt
Nylon Lock Nut	4	Zinc Plated Nylon Locking Nut/Silver
Back Washer	4	24mm Diameter Washer/Silver

List includes components included/required for two (2) handles.



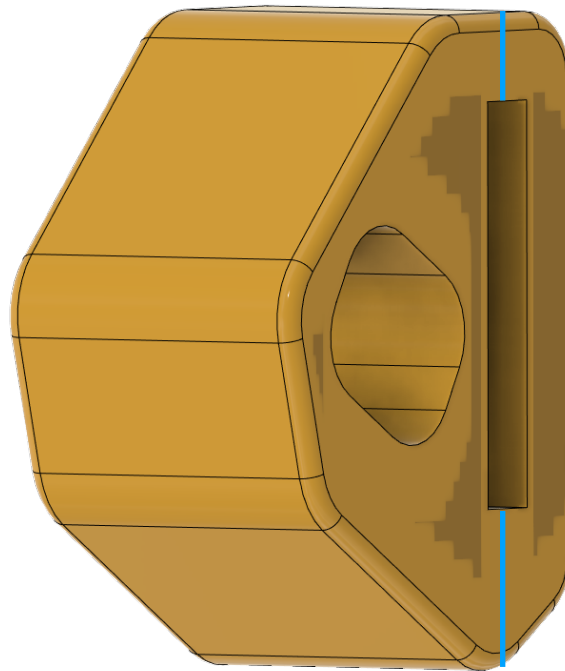
LACE PLATE ORIENTATION

The lace plates can be rotated (flipped) to allow for more clearance below the grab handles as necessary for clearance around moving objects like doors, and hatches.

This guide uses images of the lace plate in the traditional (standard) orientation.

When flipped the handles are raised by 1/2" (12mm) for increased obstacle clearance.

Do NOT flip the included urethane grippers.



SHORTER/TOP

LONGER/BOTTOM

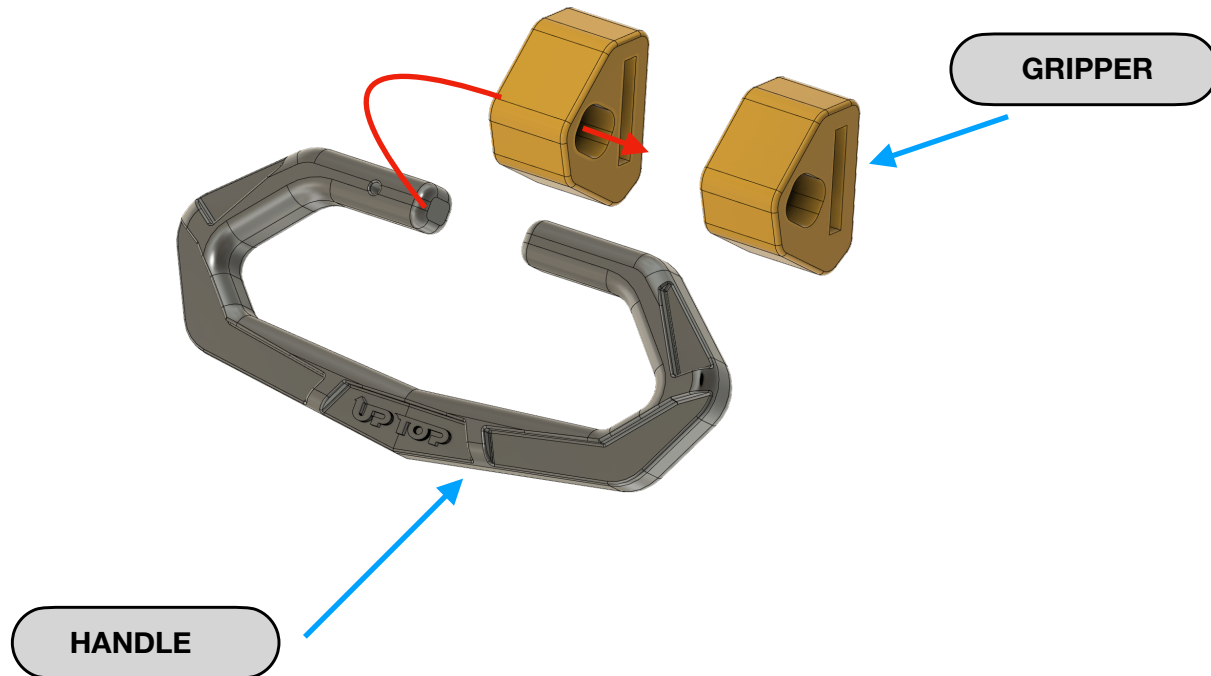


GRIPPER ORIENTATION

- For proper orientation of the gripper be sure that the shorter distance from the lace plate slot points up.
- If you choose to flip the lace plate for more obstacle clearance do NOT flip the included urethane grippers.

HANDLE ASSEMBLY

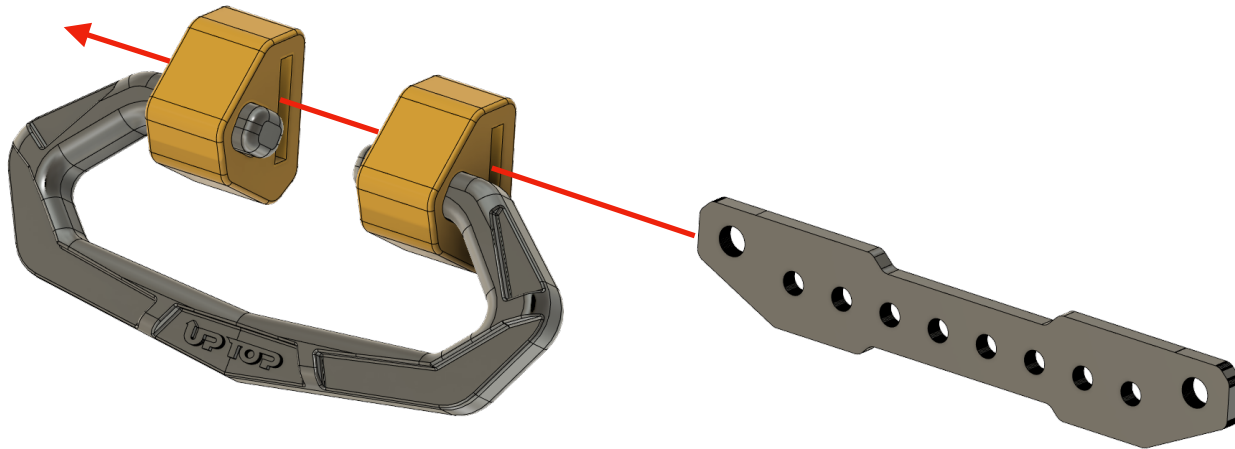
Your handles are shipped as individual components and need to be put together before they can be mounted to your roof rack. The following assembly steps should be repeated for each individual grab handle. The steps outlined on pages 4/5 are required for all roof rack variants. Pages 6-9 illustrate how to properly install the grab handles to different roof rack variants.



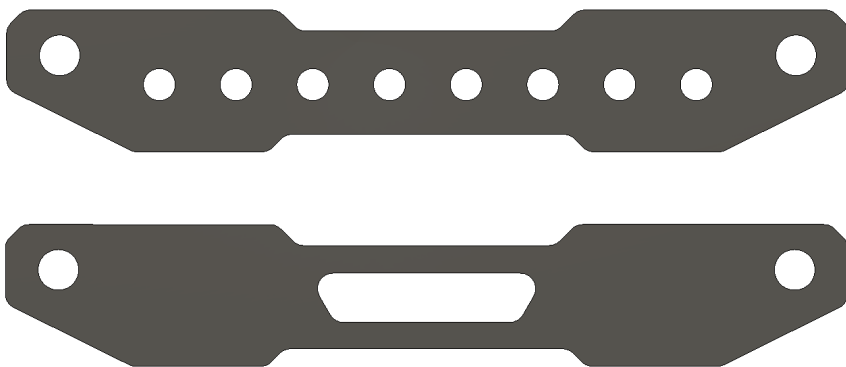
- Each handle requires two (2) grippers.
- Grippers shown in **orange** for contrast. Production components are only available in black.
- Some powder coat color options are applied in heavier coats than others. If your gripper seems hard to place and slide over the grab handle apply some soapy water to the handle and gripper to facilitate easier installation.
- The fit is supposed to be very snug bordering on “this thing doesn’t fit”. This is normal and helps keep the handle in perfect position during use.
- **We recommend that you spray the handle with soapy water to use as a slip agent during this step.**
- You will install the grippers one at a time by lining the square hole on the gripper up to the end of the grab handle shown here in with the **red** arrow.
- Install the grippers to all of the handles included with your order.

LACE PLATE

Lace plate orientation is shown standard. When installed if you need the handles to sit higher you can flip the lace plates over as shown on page 2.



- Slide the lace plates through the grippers as shown by the **red** arrow.
- You can use a **RUBBER** mallet to tamp the lace plates into the grippers. They will be very hard to install by hand.
- If you need to flip the lace plates over later you will need to remove them from the roof rack to do so.

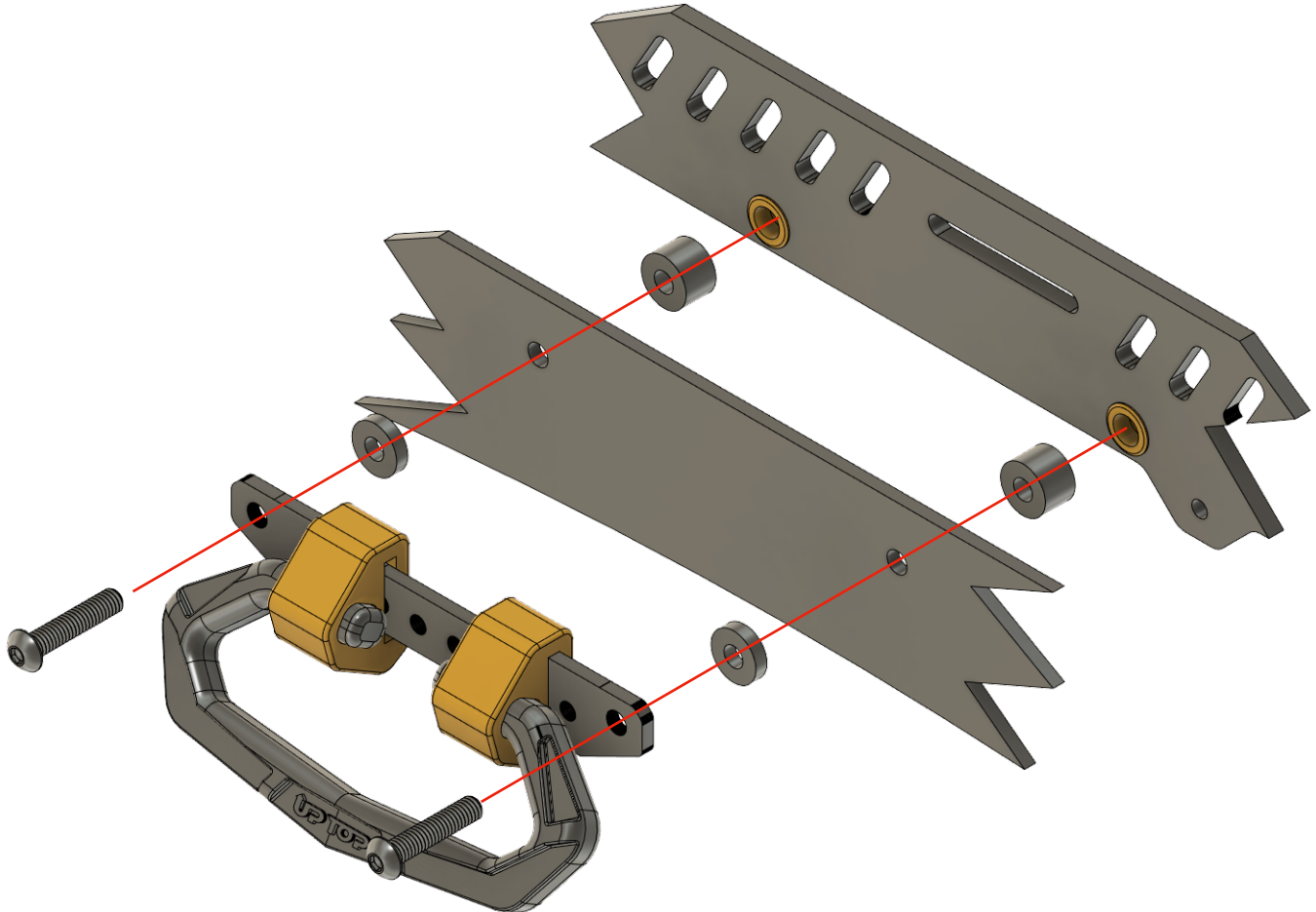


ATTENTION

- There are two possible variants of the lace plate.
- **Type A** is in the process of being discontinued.
- **Type B** is being released as the production style for 2023.
- Both lace plates install the exact same way.
- Illustrations in this guide show mostly **Type A**.

RACK ATTACHMENT

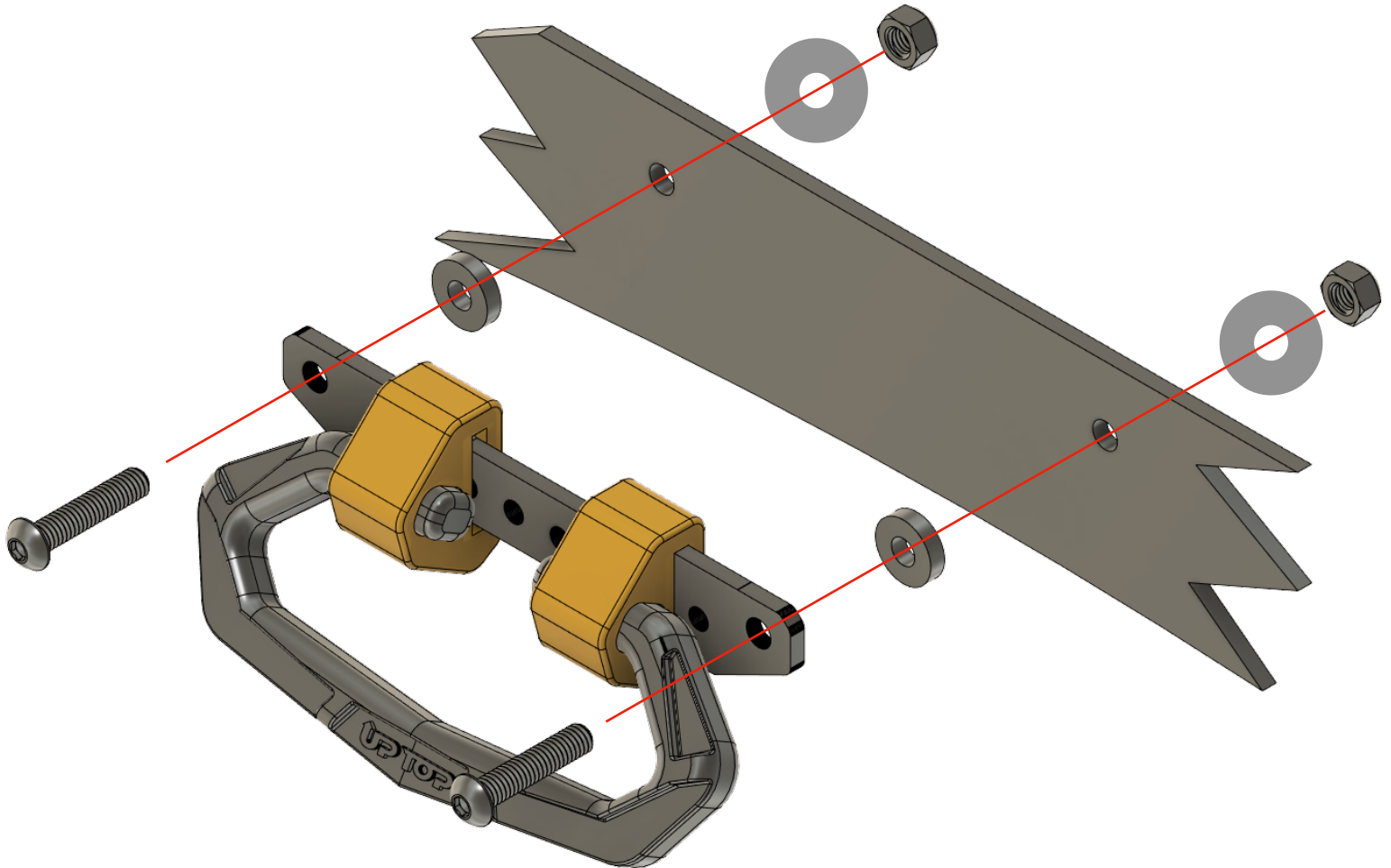
- upTOP Alpha Roof Rack



- Notice the different thickness of the provided spacers.
- The thinner spacers should be used between the lace plate and the outer armor on your upTOP Alpha roof rack.
- The thicker spacers should be placed between the backside of your armor and the face of your grooveTEK.
- If you are replacing the original grab handle on your Alpha roof rack you will re-use the longer bolts provided with your rack at time of original purchase. **DO NOT** attempt to use the provided black bolts to attach your new handles to your Alpha roof rack. They are too short for use and a different thread pitch than your Alpha rack comes factory equipped.
- Use a 5mm Allen wrench to install the hardware.
- Fully tighten the hardware. When properly installed the handle should offer no side to side movement along the lace plate.

RACK ATTACHMENT

- upTOP Bravo Roof Rack
- upTOP Zulu Roof Rack



- For Bravo and Zulu roof racks you will use the included black bolts to attach the handle assemblies to the roof rack.
- The THINNER spacers supplied with your hardware kit should be placed between the lace plate and your roof rack.
- Discard the longer spacers. **DO NOT USE THEM.**
- Use a 3/16 Allen wrench and 1/2 wrench to fully tighten the hardware. When properly installed the handle should offer no side to side movement along the lace plate.

NOTE

Zulu roof racks will have additional piece of armor (not pictured) resting against the inner rack body. There should be no spacers used/placed between the armor and inner rack body. Zulu grab handle attachment is covered extensively in all Zulu related installation instructions.

RACK ATTACHMENT

- PRINSU
- FRONT RUNNER

Like upTOP products both Prinsu and FrontRunner (Slimsport) produce products that are well made and rigid enough to support our grab handle kits under heavy use. Some modifications to the rack body may be required.

WARNING

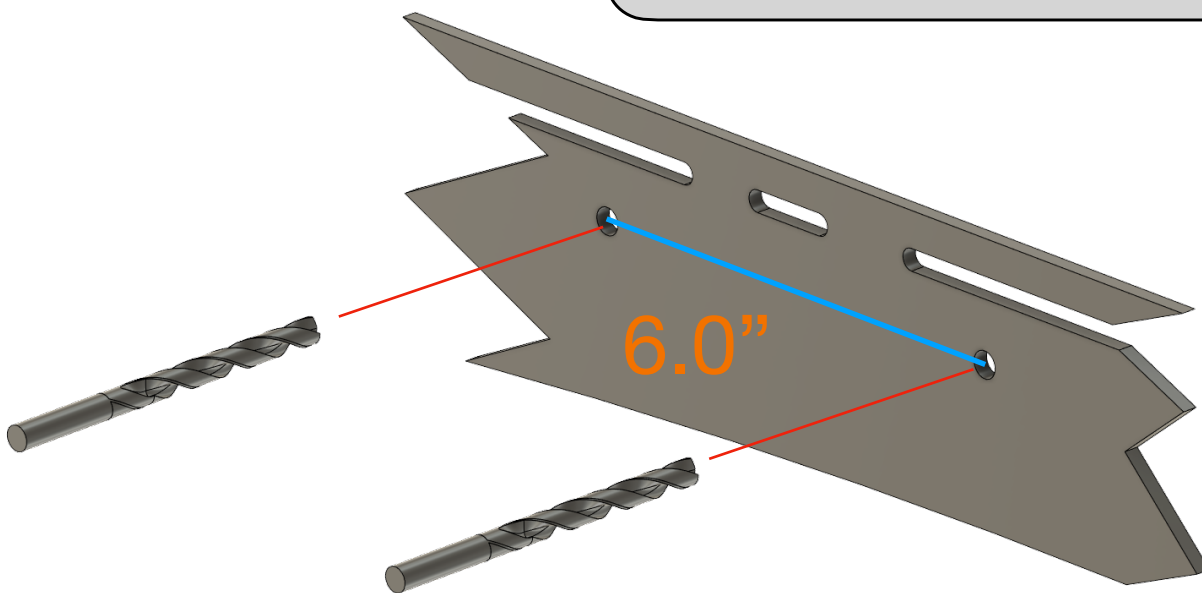
Installation of grab handles to Prinsu and FrontRunner roof racks can require drilling additional holes in the roof rack. Check clearance behind roof rack prior to deciding on drill position and use extreme care when using power tools. Follow tool manufacturer guidelines for safety recommendations.



REQUIRES 5/16 or M8 Drill bit and power drill. NOT INCLUDED.

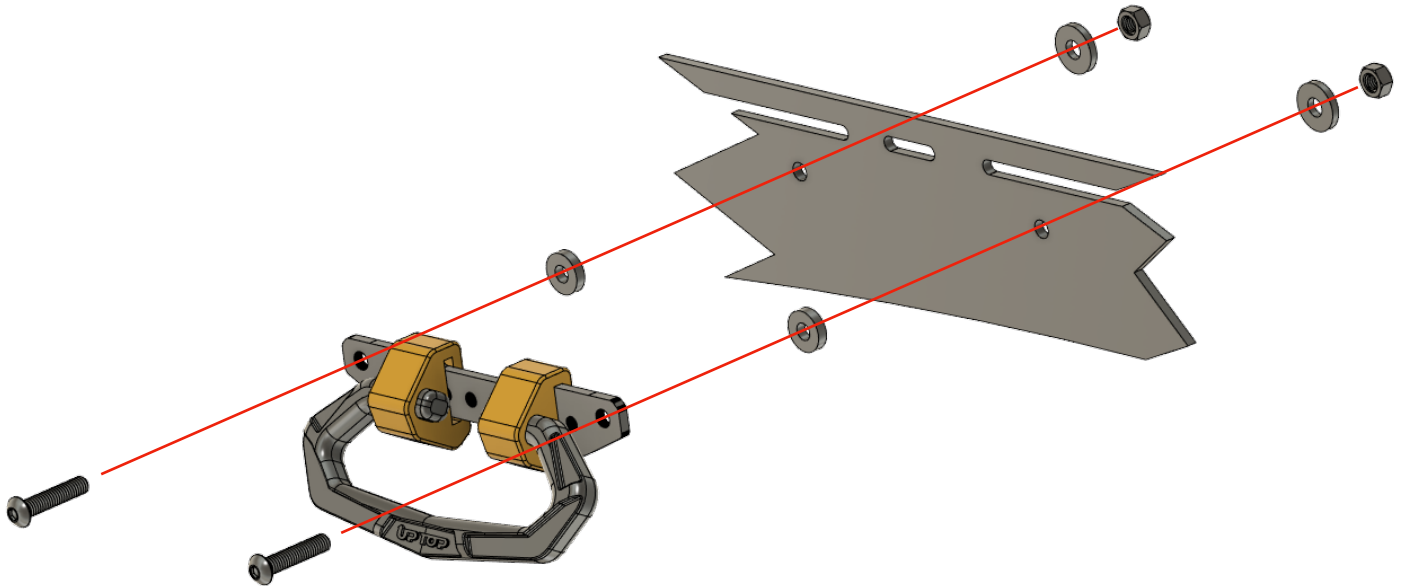
HOLE SPACING IS 6.0"

- Can use lace plate as template.



RACK ATTACHMENT

- PRINSU
- FRONT RUNNER



- Carefully select and verify location to drill and mount grab handles.
- Drill the mounting locations for each lease plate. Lace plates require two holes.
- Assemble as shown above.
- Be sure to use the supplied fender washers on the rear side of your roof rack body.
- Use a 3/16 Allen and 1/2 wrench to tighten the hardware. When properly installed the handle should offer no side to side movement along the lace place.
- Repeat steps for all remaining handles.

FINEPRINT

- Handles are designed to assist as a hand hold location for a person gaining access to items on top of their roof rack.
- Do not use this product in a manner inconsistent with its intended use.
- Do not allow children to play around grab handles.
- Product intended for use by persons of the required age to operate a motor vehicle.
- Handles are not intended to serve as anchor points for hammocks.
- Handles are not intended for use as lashing points for tie down anchors or straps.
- Do not use the handles while vehicle is in motion.
- Do not modify components included with this kit.
- Use extreme caution when climbing on and off of vehicles. You can easily slip or lose your balance resulting in serious injury or death even with the aid of a handle.
- Never use the handles as a step location. This product is not a ladder.
- Enjoy recreation responsibly. Stay the trail and always leave campsites better than you found them.

WARRANTY

upTOP overland products are guaranteed for life to the original purchaser. This warranty is non-transferable. Defective product will be repaired or replaced at the sole discretion of upTOP overland. Proof of purchase required for all warranty claims. Warranty not to include normal wear and tear, surface scratches to the cosmetic finish of any *installed* product, neglect, abuse, or use of product in a manner inconsistent with design intent. Damage to products incurred in vehicle collision or roll over are not covered under product warranty. RMA must be obtained prior to item return. RMA number must be clearly indicated on outside of package. Unauthorized return will be refused at dock and returned to sender. Any incurred return shipping fee will be charged to the sender. Return shipping or repaired or replaced item(s) is responsibility of original purchaser. You may have rights to warranty claim not covered under this section based on the state that you reside in.

RELEASE OF LIABILITY

By installing and using this product you release upTOP overland from all claims associated to damage, injury, or death in conjunction with use of this product by yourself or anyone in your party. Use of product means that you acknowledge the proper installation and use of product is the responsibility of the product owner/operator. This item ships unassembled in kit form and end user must assemble and properly mount product for safe use.