



FRONT RUNNER
VEHICLE OUTFITTERS

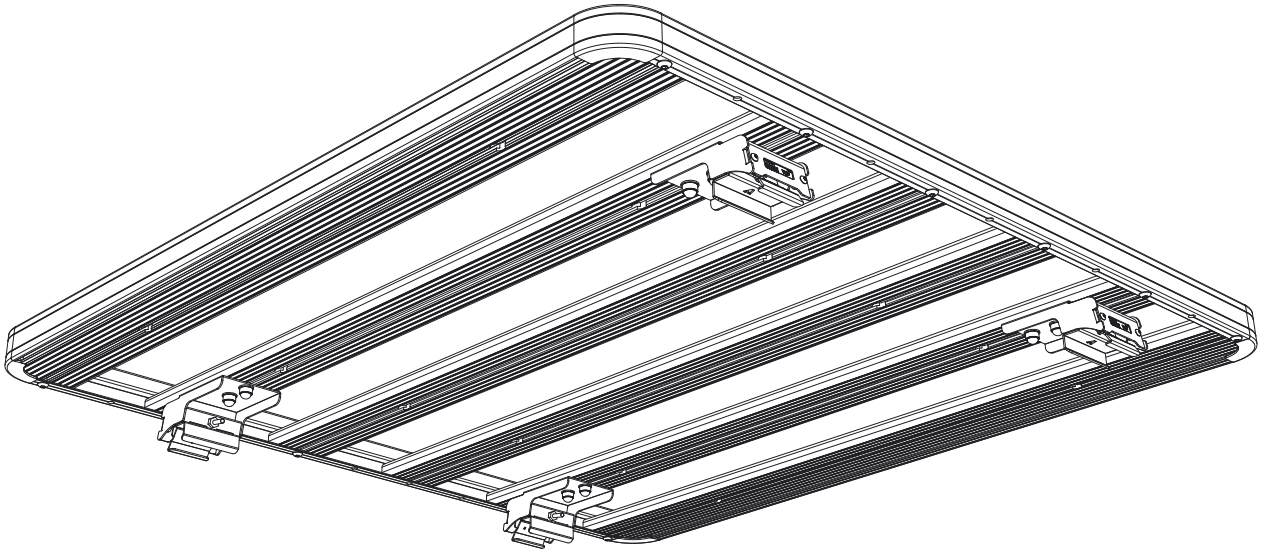
GRAB-ON FLUSH RAIL FEET

ENG

GOFR001



30 min



READ ME !

Thank you for purchasing Front Runner Grab-On Flush Rail Feet.

Before you start, take a moment to familiarize yourself with this Fitting Instruction and the components received.

Refer to Page 2 for a list of all the components, quantities and tools required.

IMPORTANT WARNING!

FRONT RUNNER CAN NOT RECOMMEND A MAXIMUM LOAD CARRYING CAPACITY. PLEASE REFER TO YOUR VEHICLE MANUFACTURER'S RECOMMENDATIONS. IT IS CRITICAL THAT ALL FRONT RUNNER PRODUCTS BE PROPERLY AND SECURELY ASSEMBLED AND ATTACHED TO YOUR VEHICLE. IMPROPER ATTACHMENT COULD RESULT IN AN AUTOMOBILE ACCIDENT, AND COULD CAUSE SERIOUS BODILY INJURY OR DEATH. YOU ARE RESPONSIBLE FOR ASSEMBLING AND SECURING ALL FRONT RUNNER PRODUCTS TO YOUR VEHICLE. CHECKING THE ATTACHMENTS PRIOR TO USE, AND PERIODICALLY INSPECTING THE PRODUCTS FOR ADJUSTMENT, WEAR AND DAMAGE. THEREFORE YOU MUST READ AND UNDERSTAND ALL OF THE INSTRUCTIONS AND PRECAUTIONS SUPPLIED WITH YOUR FRONT RUNNER PRODUCT PRIOR TO INSTALLATION OR USE. IF YOU DO NOT UNDERSTAND ALL OF THE INSTRUCTIONS AND CAUTIONS, OR IF YOU HAVE NO MECHANICAL EXPERIENCE AND ARE NOT THOROUGHLY FAMILIAR WITH THE INSTALLATION PROCEDURES, YOU SHOULD HAVE THE PRODUCT INSTALLED BY A PROFESSIONAL INSTALLER OR OTHER QUALIFIED PERSONNEL.

1

GET ORGANIZED

Here is what you are looking at for GOFR001

IN THE BOX

1	4 X	M8 x 16 Hex Bolt
2	2 X	Grab-On Foot
3	4 X	M8x19x2ss Flat Washer
4	4 X	M8 Nyloc Nut
5	4 X	M8 Nut Cap
6	2 X	Cap Screw Washer
7	2 X	M6 Spring Washer
8	2 X	M6 x 60 Cap Screw
9	2 X	Front Cover Plate
10	4 X	M5 x 10 Button Head
11	2 X	M6 x 50 Cap Screw

TOOLS NEEDED

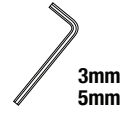
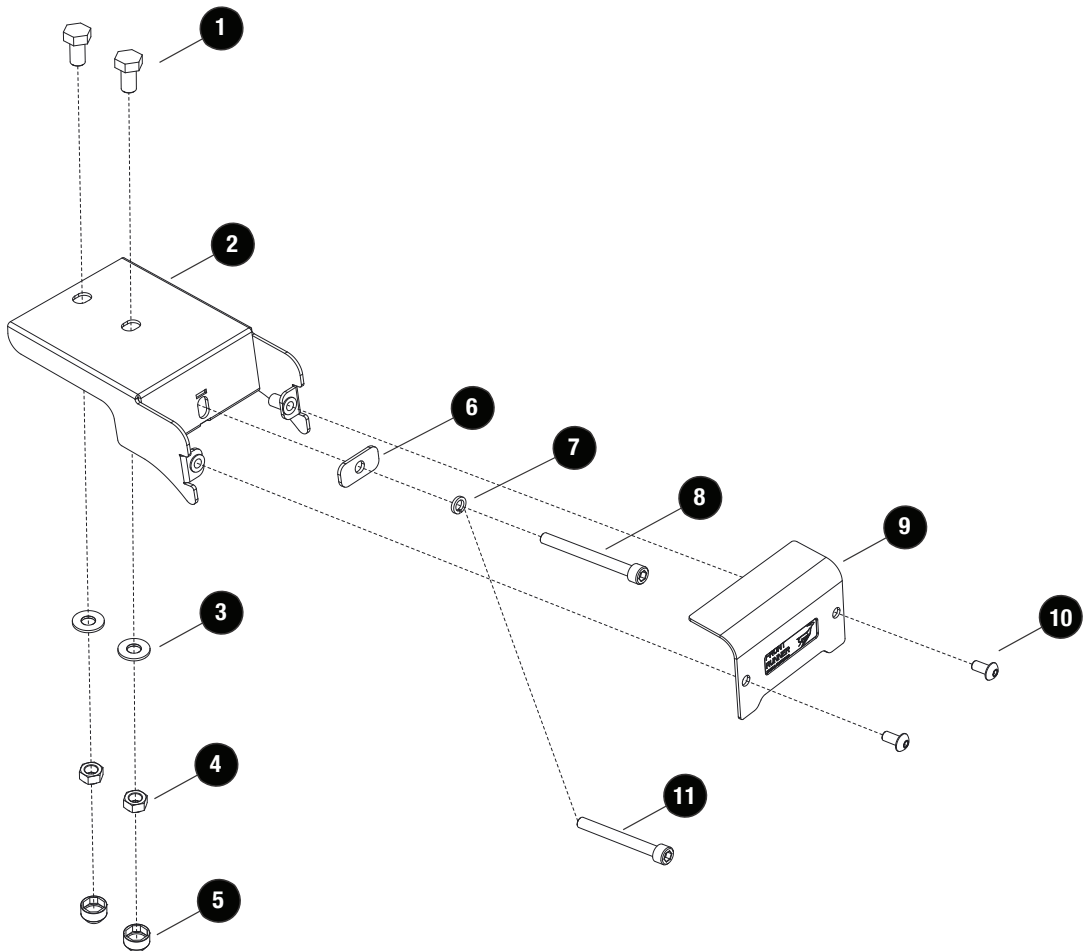
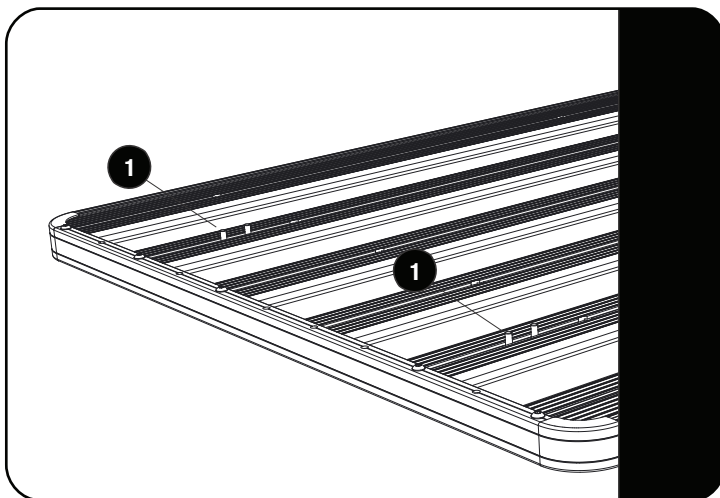


FIGURE 1.1



2**FIT AND SECURE**

2.1

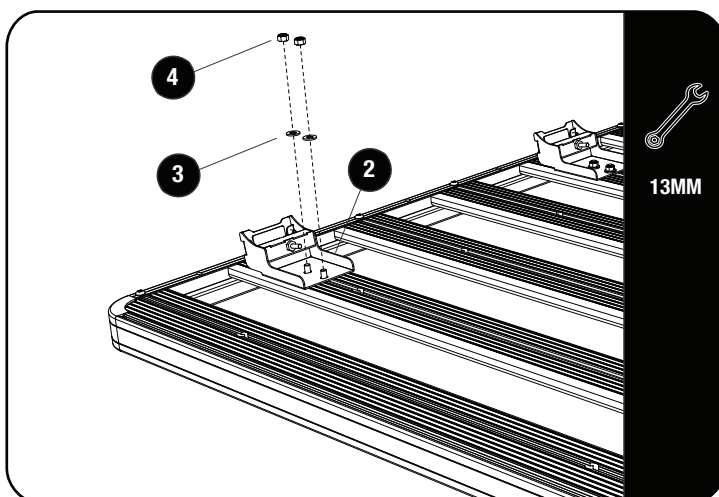


Place your Front Runner Roof Rack onto your vehicles Flush Rails and find the best position. The Rack should sit level to the ground, not the vehicles roof line. Or slanting slightly down toward the front.

Find the best position for the Feet, using the first or second Slat.

Flip the Rack so that the bottom of the Rack faces up. Insert two M8 x 16 Hex Bolts (Item 1) into the Slats mached slots that you have identified.

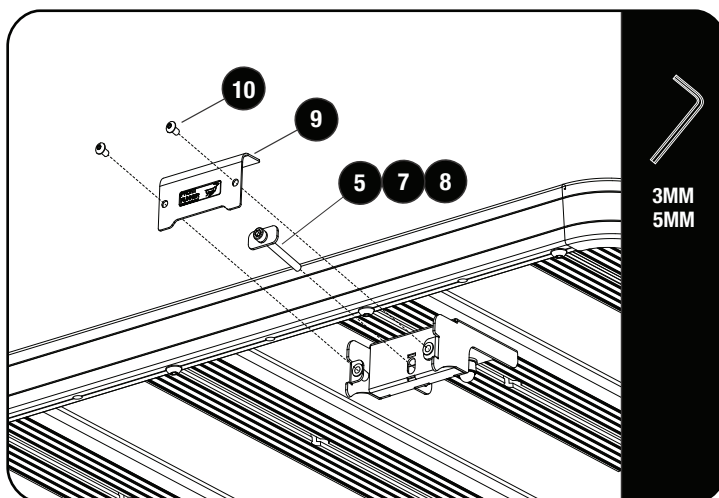
2.2



Fit the Grab-on Foot assembly (Item 2) to the slat by loosley fastening it with two M8 Flat Washers (Item 3) and two M8 Nyloc Nuts (Item 4).

Repeat this step for the other Feet.

2.3

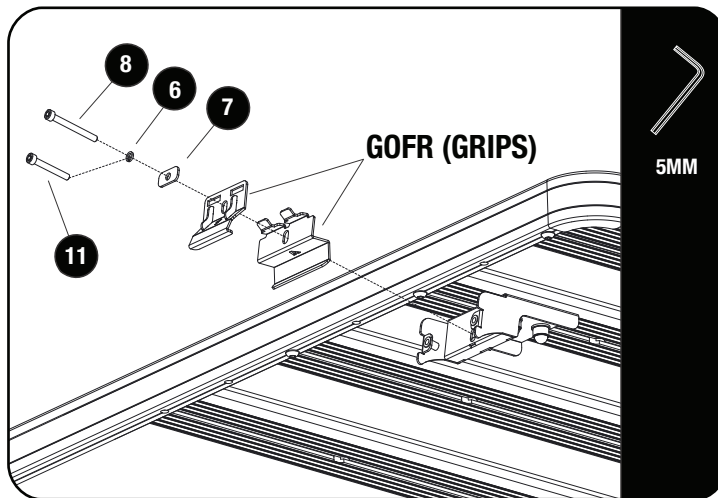


Remove the Front Covers (Item 9) from all the Grab-On Feet (Item 2) by loosening the two M5 x 10 Button Head Screw (Item 10).

Loosen and remove (Item 8, 7 & 6) and keep in a safe place as this will be used in the next step to fit the Flush Rail Gripss.

2 FIT AND SECURE

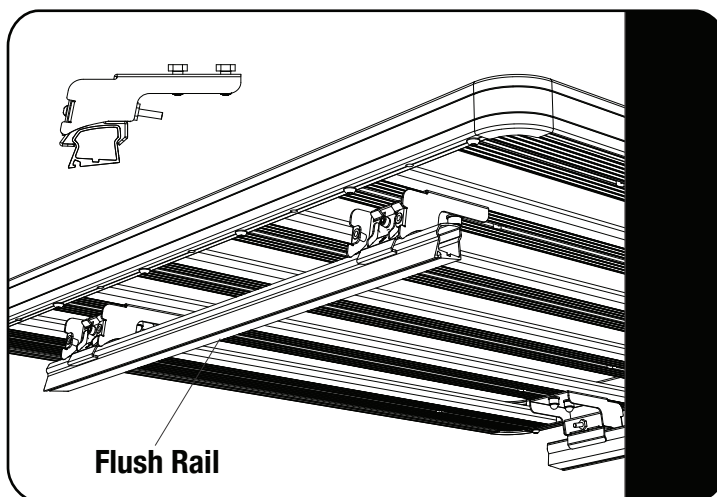
2.4



Depending on the width of the Flush Rail, Use an M6 x 60 or M6 x 50 Allen Cap Screw (Item 8 or 11), M6 Spring Washers and Cap Screw Washer (Items 7 & 6) and loosely fit the Flush Rail Grips (GOFR Grips) to the Grab-On Flush Rail Foot (Item 2).

Repeat this step on the other Grab-On Flush Rail Feet.

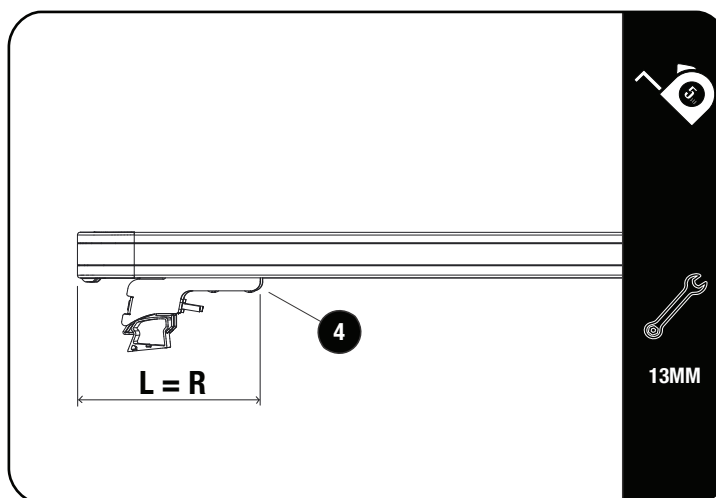
2.5



Place your Rack back onto the vehicle.

Position all the feet so that they rest on top of the Flush Rails as shown.

2.6

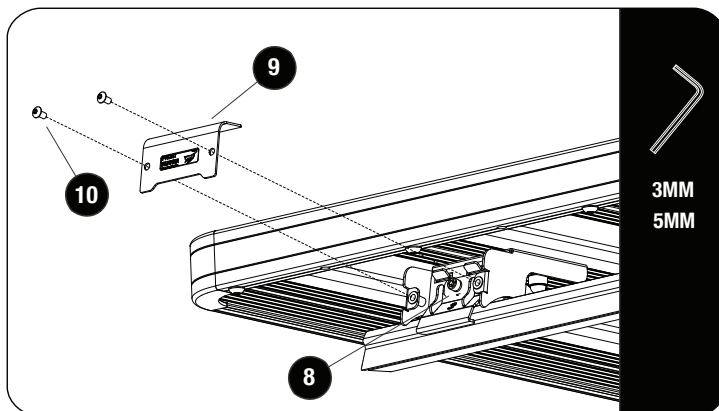


With a Measuring tape, center your Roof Rack.

Fully Tighten all the M8 Nyloc Nuts (Item 4) and cover each of them with M8 Nut Caps (Item 5).

2 FIT AND SECURE

2.7



Fully tighten all the M6 x 50 / M6 x 60 Cap Srews (Item 8) to clamp the rack securely onto the flush rails. Take care not to over tighten.

Refit the Front Cover Plate (Item 9) with two M5 x 10 Batten Heads (Item 10).

Tightening Torque 6Nm

3 COMPLETION

3.1



Congratulations. You did it. Take a step back and admire your work!

4 Front Runner will not be responsible for any damage caused by the failure to install the product according to these instructions. Please call us if you have any questions about the installation of this product.

5 INSTALL OTHER VEHICLE AND RACK ACCESSORIES

Now's the time to visit your favorite Front Runner Dealer in person or online.

Be sure to tag us. We love to see our gear in action! #FrontRunnerOutfitters #BornToRoam

Share your adventures on: 