

READ ME ! ⚠

Thank you for purchasing a Front Runner Fork Mount Bike Carrier.

Before you start, take a moment to familiarize yourself with the Fitting Instructions and the components received.

Refer to Page 2 for a list of all the components, quantities and tools required.

IMPORTANT WARNING! ⚠

IT IS CRITICAL THAT ALL FRONT RUNNER PRODUCTS BE PROPERLY AND SECURELY ASSEMBLED AND ATTACHED TO YOUR VEHICLE. IMPROPER ATTACHMENT COULD RESULT IN AN AUTOMOBILE ACCIDENT, AND COULD CAUSE SERIOUS BODILY INJURY OR DEATH. YOU ARE RESPONSIBLE FOR ASSEMBLING AND SECURING ALL FRONT RUNNER PRODUCTS TO YOUR VEHICLE. CHECKING THE ATTACHMENTS PRIOR TO USE, AND PERIODICALLY INSPECTING THE PRODUCTS FOR ADJUSTMENT, WEAR AND DAMAGE. THEREFORE YOU MUST READ AND UNDERSTAND ALL OF THE INSTRUCTIONS AND PRECAUTIONS SUPPLIED WITH YOUR FRONT RUNNER PRODUCT PRIOR TO INSTALLATION OR USE. IF YOU DO NOT UNDERSTAND ALL OF THE INSTRUCTIONS AND CAUTIONS, OR IF YOU HAVE NO MECHANICAL EXPERIENCE AND ARE NOT THOROUGHLY FAMILIAR WITH THE INSTALLATION PROCEDURES, YOU SHOULD HAVE THE PRODUCT INSTALLED BY A PROFESSIONAL INSTALLER OR OTHER QUALIFIED PERSONNEL.

1

GET ORGANIZED

IN THE BOX

1	6 X	M8 Nut Cap
2	6 X	M8 Nyloc Nut
3	6 X	M8 x 16 x 1.6 SS Flat Washer
4	1 X	Front Fork Mounting Bracket
5	2 X	M8 x 20 Hex Bolt
6	4 X	M8 x 16 Hex Bolt
7	1 X	Rear Wheel Mounting Bracket
8	1 X	M6 x 16 Button Head
9	2 X	M6 x 12 x 1SS Flat Washer
10	1 X	Angle Bracket
11	1 X	M6 Nyloc Nut
12	1 X	M6 Nut Cap

TOOLS NEEDED

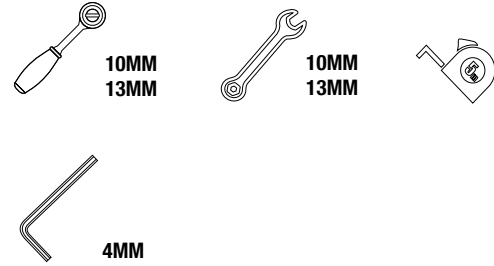
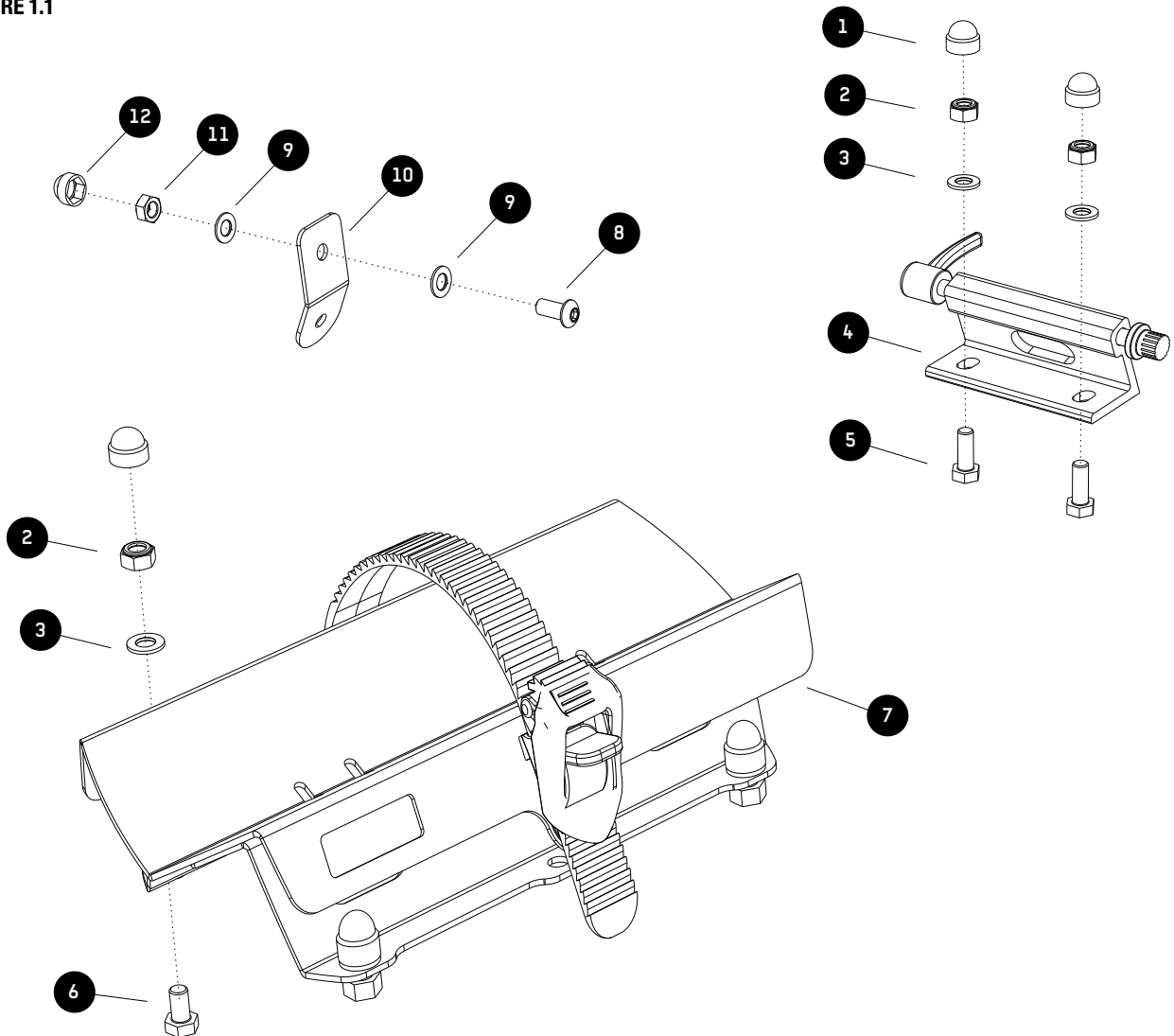


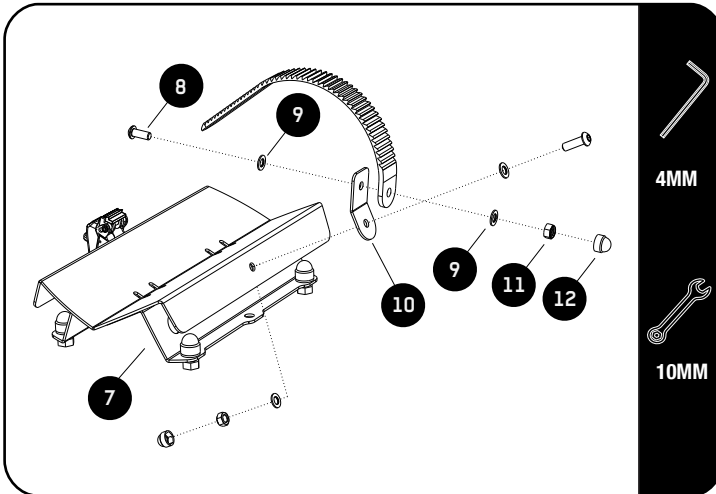
FIGURE 1.1



2

FIT AND SECURE

2.1



If the Strap needs to be lengthened, use the Angle Bracket (Item 10).

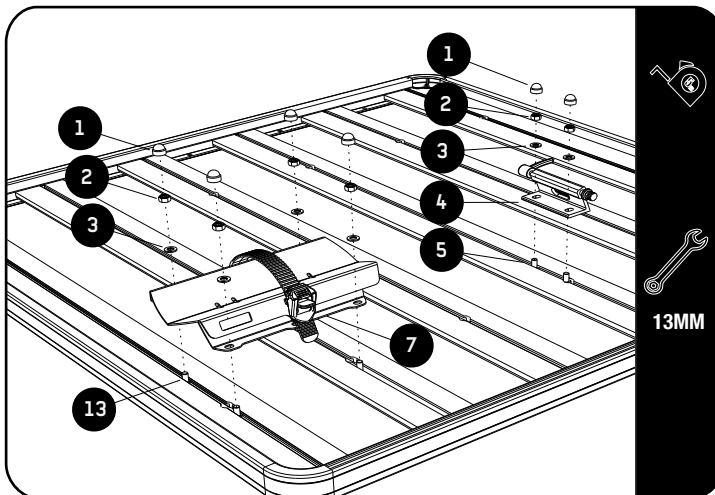
Loosen the Strap and secure the Angle Bracket to the Rear Wheel Mount Bracket (Item 7) using the existing fasteners.

Secure the Strap to the Angle Bracket (Item 10) using an M6 x 16 Button Head, M6 x 12 x 1SS Flat Washers and M6 Nyloc Nut. (Items 8, 9 & 11).

Place an M6 Nut Cap (Item 12) on the M6 Nyloc Nut.

Mounting to a Rack

2.2



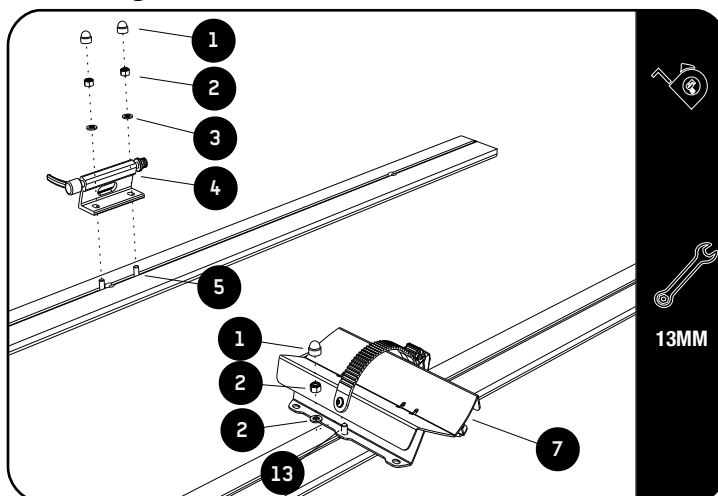
Decide where you'd like to mount your bicycle on the rack. Figure out the correct spacing between the fork and rear wheel.

To fit the Front Fork Mounting Bracket (Item 4), slide two M8 x 20 Hex Bolts (Item 5) into the slot of the chosen slat. Place the Front Mounting Bracket over the two Hex Bolts and secure to the Rack using two M8 x 16 x 1.6 SS Flat Washers and two M8 Nyloc Nuts (Items 3 & 2). This will apply to Load Bars as well.

Mount the Rear Wheel Mounting Bracket (Item 7) over two slats using the two front and back holes as shown. Slide four M8 x 16 Hex Bolts (Item 6) into the chosen slats. Place the Bracket over the Hex Bolts and line up the Bracket with the center of the Front Fork Mounting Bracket. Secure the rear Bracket to the rack using M8 x 16 x 1.6 SS Flat Washers and M8 Nyloc Nuts (Items 3 & 2). Place M8 Nut Caps (Item 1) over all the Nyloc Nuts after tightening.

Mounting to a Load Bar

2.3



Mount the Rear Wheel Mounting Bracket (Item 7) onto a Front Runner Load Bar using the two center holes as shown. Slide two M8 x 16 Hex Bolts (Item 6) into the Load Bar using the slot.

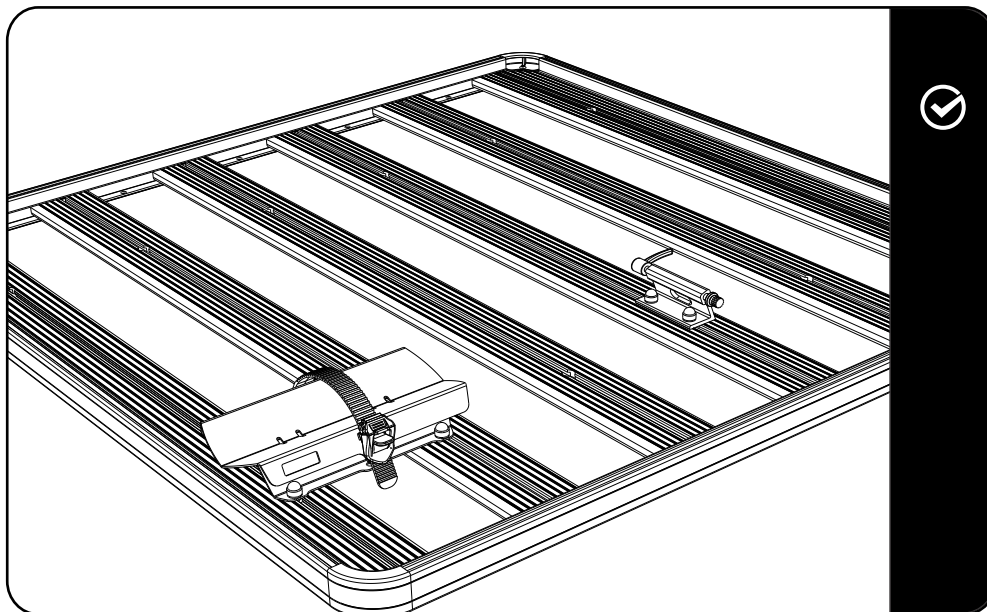
Secure using M8 Flat Washers and M8 Nyloc Nuts (Item 3 & 2).

Finish off by placing M8 Nut Caps (Item 1) over the Nyloc Nuts.

3

COMPLETION

3.1



Congratulations! You did it. Take a step back and admire your work!

4

Front Runner will not be responsible for any damage caused by the failure to install the product according to these instructions. Please call us if you have any questions about the installation of this product.

5

INSTALL OTHER VEHICLE AND RACK ACCESSORIES

Now's the time to visit your favorite Front Runner Dealer in person or Online.

Be sure to tag us. We love to see our gear in action! #FrontRunnerOutfitters #BornToRoam

Share your adventures on:

