

READ ME !

Thank you for purchasing a Front Runner Rivian R1T Load Bed Rack Mounting System.

Before you start, take a moment to familiarize yourself with the Fitting Instructions and the included components.

Refer to Page 2 for a list of all the components, quantities and tools required.

IMPORTANT WARNING!

IT IS CRITICAL THAT ALL FRONT RUNNER PRODUCTS BE PROPERLY AND SECURELY ASSEMBLED AND ATTACHED TO YOUR VEHICLE. IMPROPER ATTACHMENT COULD RESULT IN AN AUTOMOBILE ACCIDENT, AND COULD CAUSE SERIOUS BODILY INJURY OR DEATH. YOU ARE RESPONSIBLE FOR ASSEMBLING AND SECURING ALL FRONT RUNNER PRODUCTS TO YOUR VEHICLE, CHECKING THE ATTACHMENTS PRIOR TO USE, AND PERIODICALLY INSPECTING THE PRODUCTS FOR ADJUSTMENT, WEAR AND DAMAGE. THEREFORE, YOU MUST READ AND UNDERSTAND ALL OF THE INSTRUCTIONS AND PRECAUTIONS SUPPLIED WITH YOUR FRONT RUNNER PRODUCT PRIOR TO INSTALLATION OR USE. IF YOU DO NOT UNDERSTAND ALL OF THE INSTRUCTIONS AND CAUTIONS, OR IF YOU HAVE NO MECHANICAL EXPERIENCE AND ARE NOT THOROUGHLY FAMILIAR WITH THE INSTALLATION PROCEDURES, YOU SHOULD HAVE THE PRODUCT INSTALLED BY A PROFESSIONAL INSTALLER OR OTHER QUALIFIED PERSONNEL.

NOTE: Front Runner will not be responsible for any damage caused by the failure to install the product according to these instructions.

Please call us if you have any questions about the installation of this product.



1 GET ORGANIZED

IN THE BOX

1	1 X	Left Hand Side Main Rail
2	1 X	Right Hand Side Main Rail
3	1 X	Left Hand Side Cover
4	1 X	Right Hand Side Cover
5	4 X	Steel Washer Plate
6	8 X	8mm Plastic Spacers
7	8 X	M6 x 30 Button Head Screw
8	8 X	M6 Nyloc Nut
9	4 X	M8 V Bolt
10	32 X	M8 Nyloc Nut
11	6 X	Legs
12	12 X	M8 x 25 Button Head Screw
13	24 X	M8 Nut Cap
14	16 X	M6 x 16 Button Head Screw
15	12 X	M8 x 25 Hex Head Bolt

TOOLS NEEDED



10mm
13mm

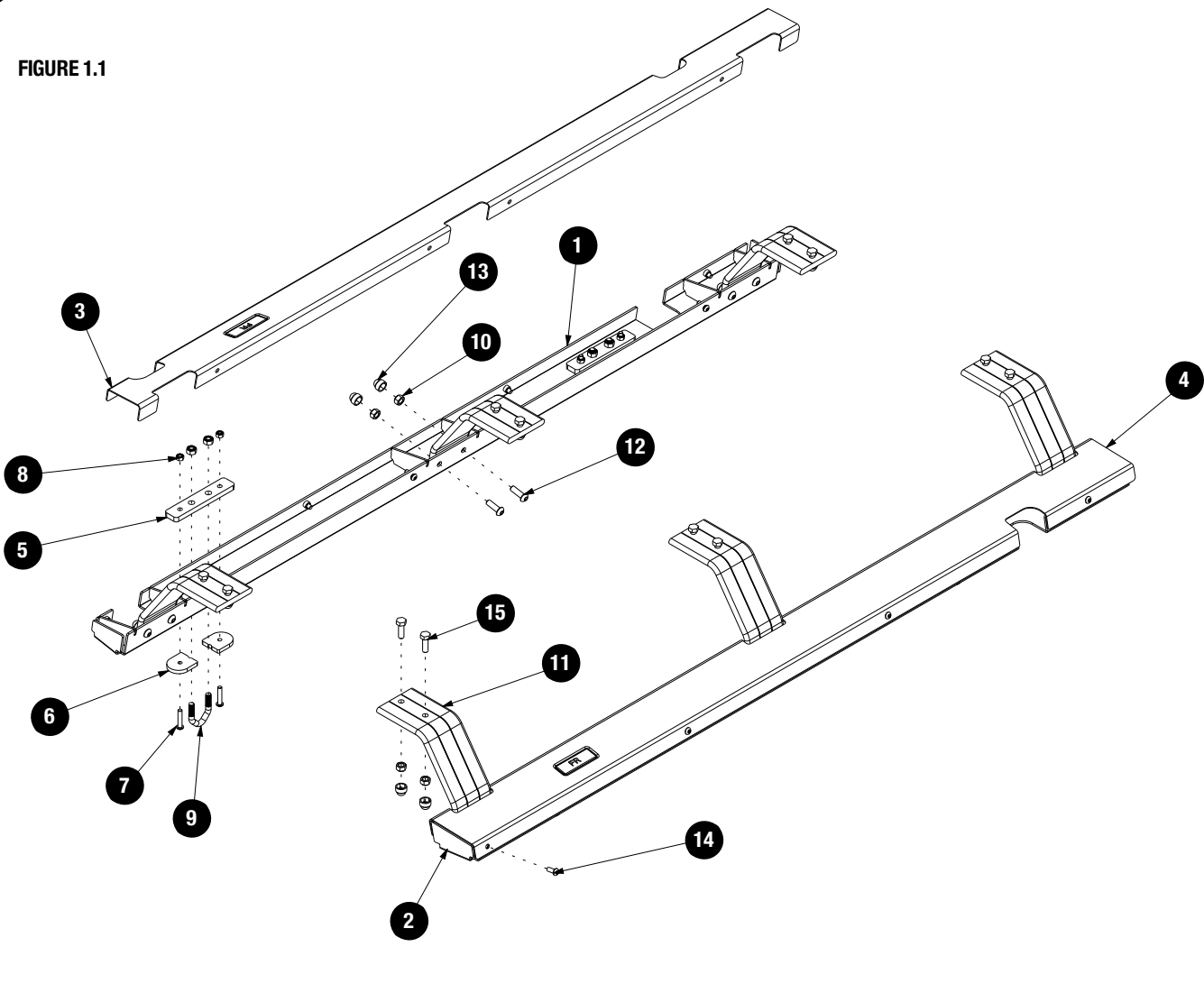


4mm
5mm



13mm

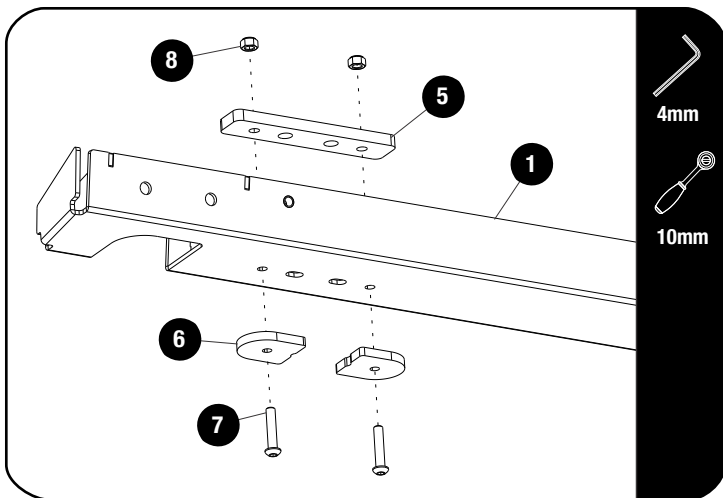
FIGURE 1.1



2

FIT AND SECURE

2.1



Fit the Spacers (Item 6) and the Washer Plate (Item 5) to the Main Rail (Item 1) using the M6 x 30 Button Head Bolts (Item 7) and M6 Nyloc Nuts (Item 8).

Fully Tighten.

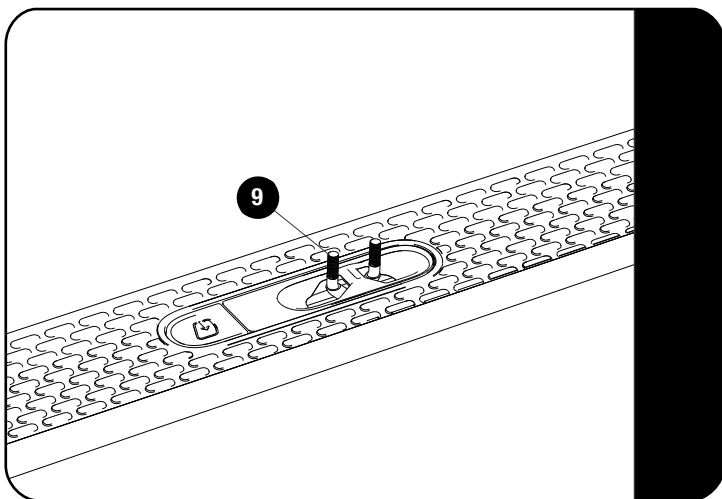
Do this on both the front and rear fixing points on both the left and right hand side rails.



Tightening Torque:

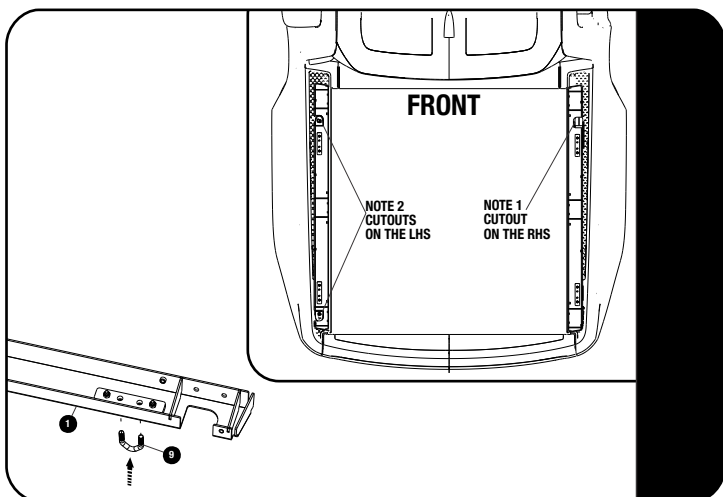
M6 : 8-10Nm / 5.9 ft lb - 7.38 ft lb

2.2



Insert the M8 V Bolts (Item 9) around the four accessory ports on your load bed as shown.

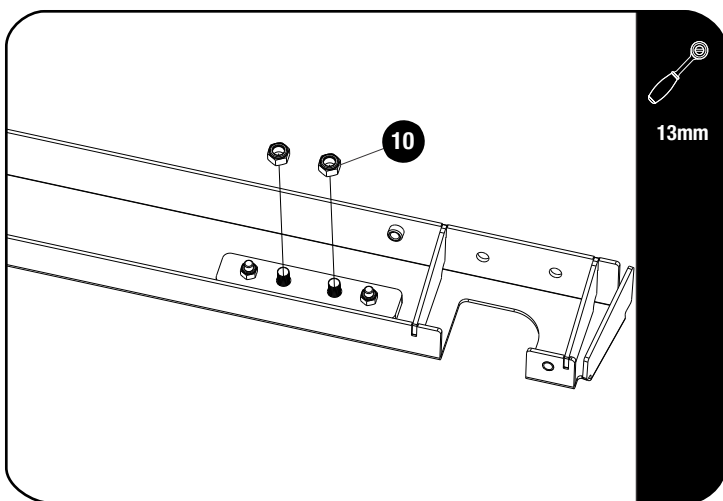
2.3



Place the Main Rail (Item 1) assembled in step 2.1 over the accessory ports on your load bed and insert the M8 V Bolt (Item 9) through the Main Rail as shown.

2**FIT AND SECURE**

2.1



Thread the M8 Nyloc Nuts (Item 10) onto the M8 V Bolts and tighten equally alternating between the two nuts.

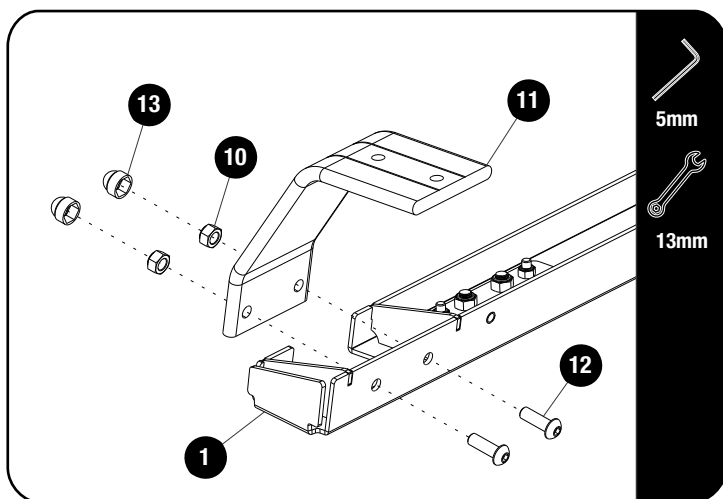
Check the alignment of the plastic spacers over the accessory ports and center before fully tightening.

Do this on both left and right hand side.

**Tightening Torque:**

M8 : 15-20Nm / 11.06 ft lb - 14.75 ft lb

2.2



Assemble the Legs (item 11) to the Main Rail (Item 1) using the M8 x 25 Button Head Bolts (Item 12) and M8 Nyloc Nuts (Item 10) as shown.

Fully Tighten.

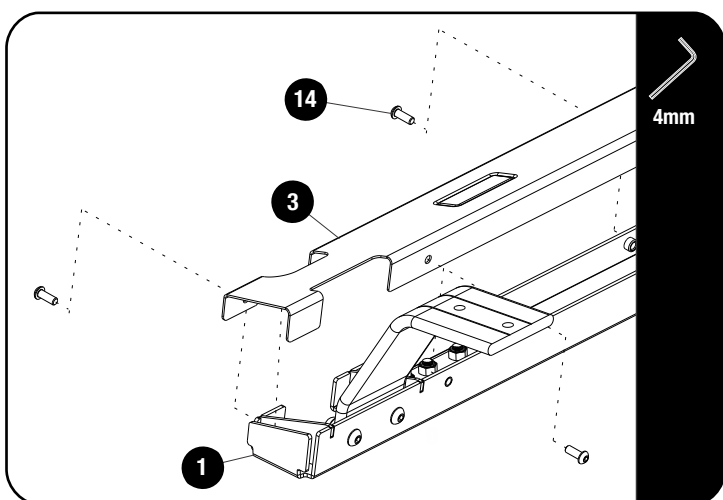
Place M8 Nut Caps (Item 13) over all the M8 Nuts used to assemble the Legs.

Do this for all six Legs.

**Tightening Torque:**

M8 : 15-20Nm / 11.06 ft lb - 14.75 ft lb

2.3



Assemble the Cover (Item 3) over the Main Rail Assemblies as shown using the M6 x 16 Button Head Screws (Item 14).

Fully Tighten.

Do this for both the left hand side and right hand side.

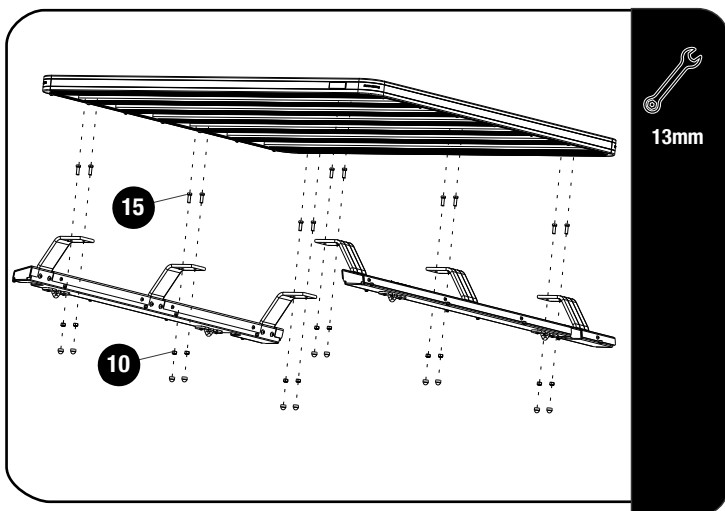
**Tightening Torque:**

M6 : 8-10Nm / 5.9 ft lb - 7.38 ft lb

2

FIT AND SECURE

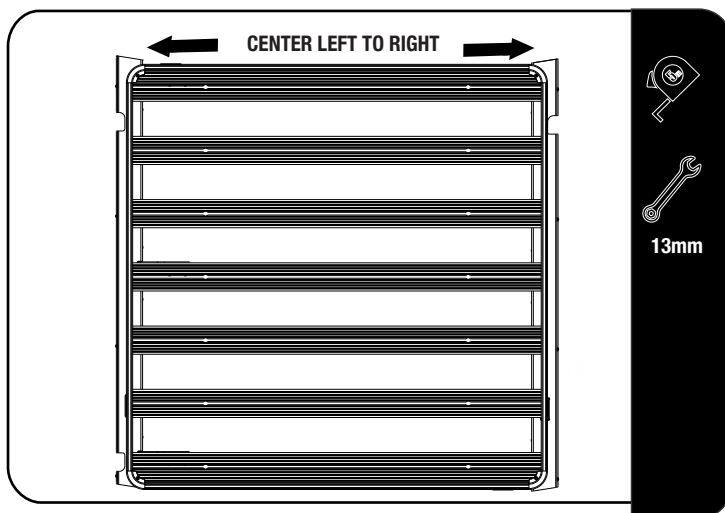
2.1



Place the rack on the bed rack mounting system and assemble it using M8 x 20 Hex Head Bolts (Item 15) and M8 Nyloc Nuts (Item 10).

DO NOT FULLY TIGHTEN AS YOU NEED TO CENTER IT.

2.2



Center the Rack From Left to Right and tighten the legs in a cross sequence to prevent the rack from moving.

Fully tighten all the fasteners and finish off the Nyloc nuts with M8 Nut Caps (Item 13).



Tightening Torque:

M8 : 15-20Nm / 11.06 ft lb - 14.75 ft lb

3

FINISH

Congratulations! You did it. Take a step back and admire your work!

4

INSTALL OTHER VEHICLE AND RACK ACCESSORIES

Now's the time to visit your favorite Front Runner Dealer in person or online.

Be sure to tag us. We love to see our gear in action! #FrontRunnerOutfitters #BornToRoam

Share your adventures on: 