

**EGR ROLLTRAC****INSTALLATION INSTRUCTIONS  
EGR ROLLTRAC PULL STRAP**

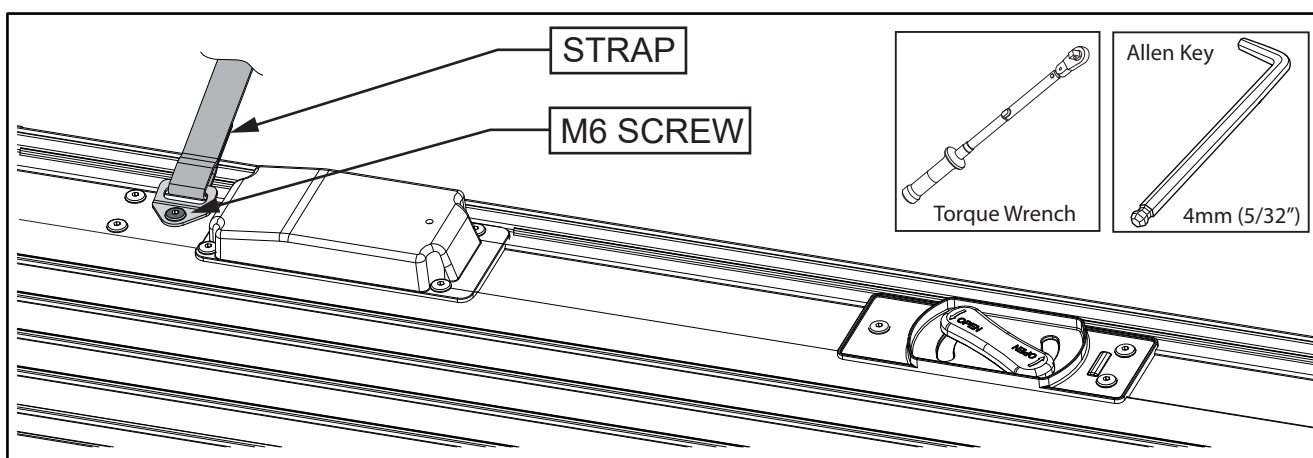
**NOTE: FOLLOW INSTRUCTIONS CAREFULLY. STRAP IS TO BE FITTED IN SPECIFIED MANNER ONLY. FAILURE TO FOLLOW INSTRUCTIONS MAY AFFECT PRODUCT PERFORMANCE AND VOID YOUR WARRANTY.**

Parts supplied: Strap x1



**Step 1:** Locate the strap mounting point on underside of handrail (handle side only) as shown below.  
Remove the pre-fitted M6 screw.

**Step 2:** Attach the strap anchor to the handrail by re using the M6 screw removed in previous step, torque to 5.5Nm.



**Step 3:** Clip end of strap can be attached at convenient point inside bed, such as tie down point as illustrated.

