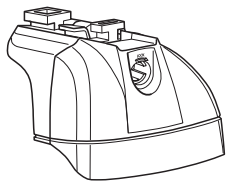
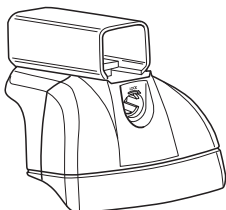
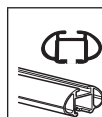


instructions

Kit 3101

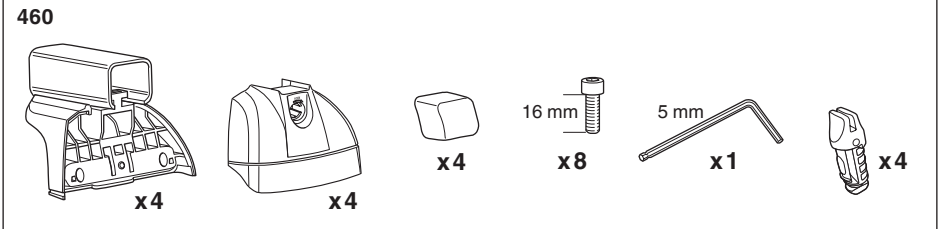
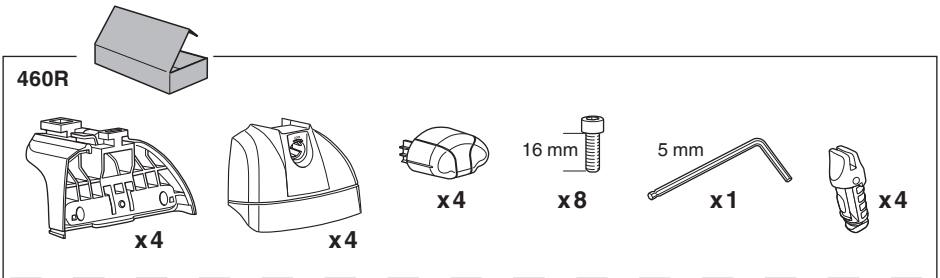
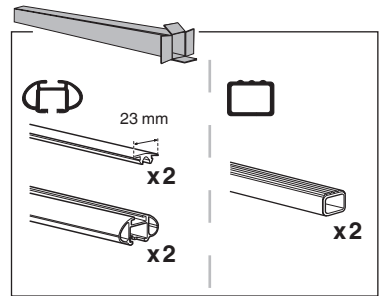
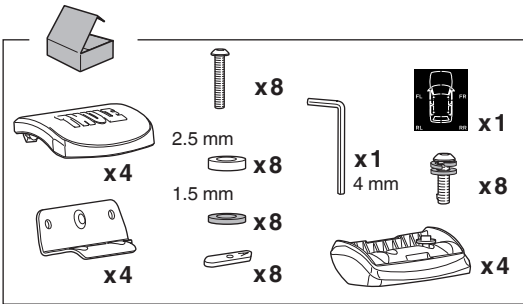
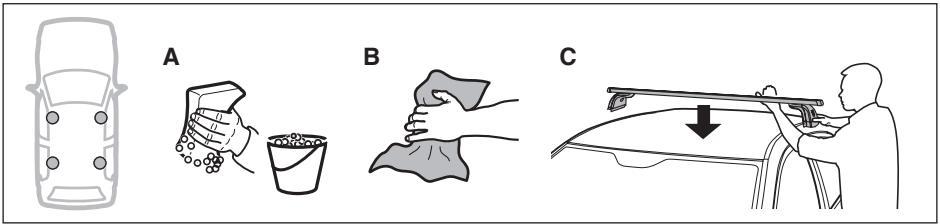
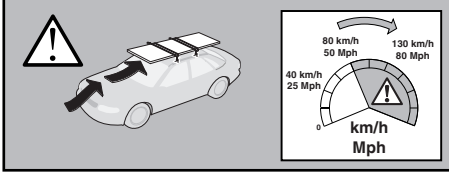
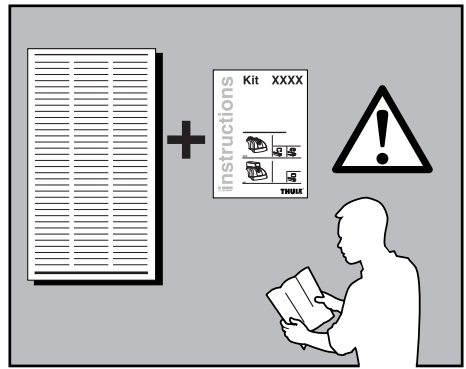
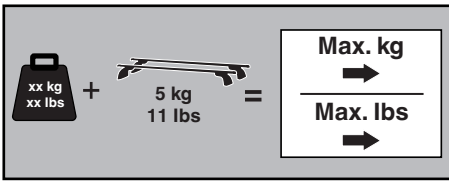


460R

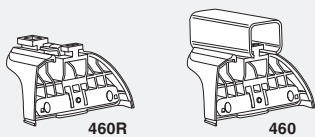


460

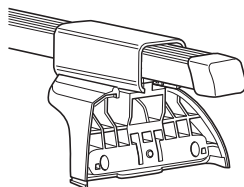
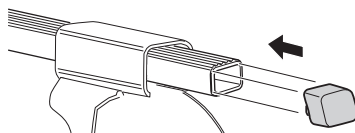
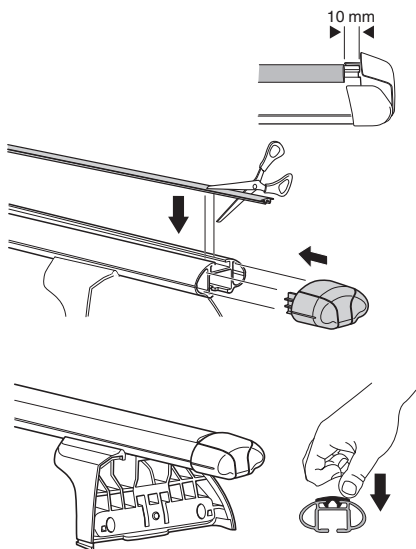
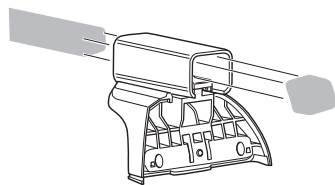
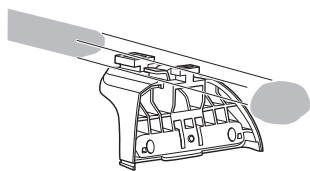




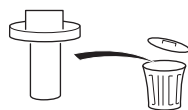
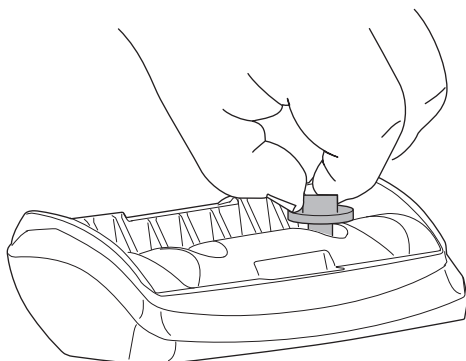
1



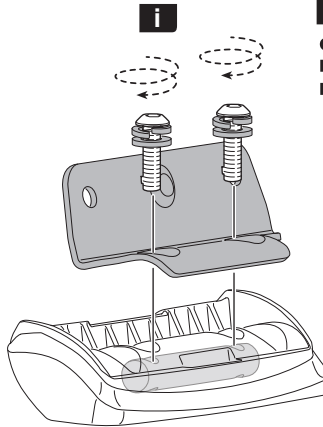
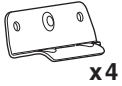
+



2



3



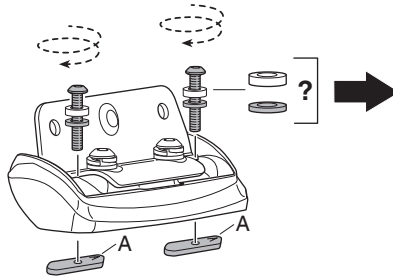
i

- GB** Only a few turns
- F** Quelques tours uniquement
- E** Sólo algunas vueltas

4



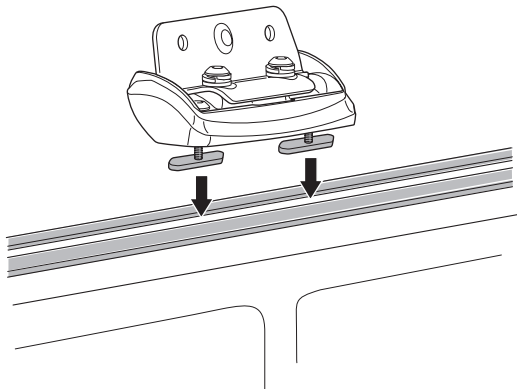
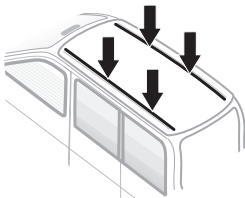
- i**
- GB** Only a few turns
 - F** Quelques tours uniquement
 - E** Sólo algunas vueltas



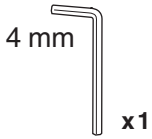
KIT 3101 KEY INSTALLATION CHART		Weight	Weight	Dimensions		Notes	
Part No.	Description	kg	lb	Length	Width	Height	
3101-001	Seat Back	10.5	23	1000	400	100	
3101-002	Seat Base	10.5	23	1000	400	100	
3101-003	Seat Cushion	10.5	23	1000	400	100	
3101-004	Seat Backrest	10.5	23	1000	400	100	
3101-005	Seat Base	10.5	23	1000	400	100	
3101-006	Seat Cushion	10.5	23	1000	400	100	
3101-007	Seat Backrest	10.5	23	1000	400	100	
3101-008	Seat Base	10.5	23	1000	400	100	
3101-009	Seat Cushion	10.5	23	1000	400	100	
3101-010	Seat Backrest	10.5	23	1000	400	100	
3101-011	Seat Base	10.5	23	1000	400	100	
3101-012	Seat Cushion	10.5	23	1000	400	100	
3101-013	Seat Backrest	10.5	23	1000	400	100	
3101-014	Seat Base	10.5	23	1000	400	100	
3101-015	Seat Cushion	10.5	23	1000	400	100	
3101-016	Seat Backrest	10.5	23	1000	400	100	
3101-017	Seat Base	10.5	23	1000	400	100	
3101-018	Seat Cushion	10.5	23	1000	400	100	
3101-019	Seat Backrest	10.5	23	1000	400	100	
3101-020	Seat Base	10.5	23	1000	400	100	
3101-021	Seat Cushion	10.5	23	1000	400	100	
3101-022	Seat Backrest	10.5	23	1000	400	100	
3101-023	Seat Base	10.5	23	1000	400	100	
3101-024	Seat Cushion	10.5	23	1000	400	100	
3101-025	Seat Backrest	10.5	23	1000	400	100	
3101-026	Seat Base	10.5	23	1000	400	100	
3101-027	Seat Cushion	10.5	23	1000	400	100	
3101-028	Seat Backrest	10.5	23	1000	400	100	
3101-029	Seat Base	10.5	23	1000	400	100	
3101-030	Seat Cushion	10.5	23	1000	400	100	
3101-031	Seat Backrest	10.5	23	1000	400	100	
3101-032	Seat Base	10.5	23	1000	400	100	
3101-033	Seat Cushion	10.5	23	1000	400	100	
3101-034	Seat Backrest	10.5	23	1000	400	100	
3101-035	Seat Base	10.5	23	1000	400	100	
3101-036	Seat Cushion	10.5	23	1000	400	100	
3101-037	Seat Backrest	10.5	23	1000	400	100	
3101-038	Seat Base	10.5	23	1000	400	100	
3101-039	Seat Cushion	10.5	23	1000	400	100	
3101-040	Seat Backrest	10.5	23	1000	400	100	
3101-041	Seat Base	10.5	23	1000	400	100	
3101-042	Seat Cushion	10.5	23	1000	400	100	
3101-043	Seat Backrest	10.5	23	1000	400	100	
3101-044	Seat Base	10.5	23	1000	400	100	
3101-045	Seat Cushion	10.5	23	1000	400	100	
3101-046	Seat Backrest	10.5	23	1000	400	100	
3101-047	Seat Base	10.5	23	1000	400	100	
3101-048	Seat Cushion	10.5	23	1000	400	100	
3101-049	Seat Backrest	10.5	23	1000	400	100	
3101-050	Seat Base	10.5	23	1000	400	100	

© 2008
 1. If a 2.5 mm spacer is required for installation.
 2. If a 1.5 mm spacer is required for installation.

5

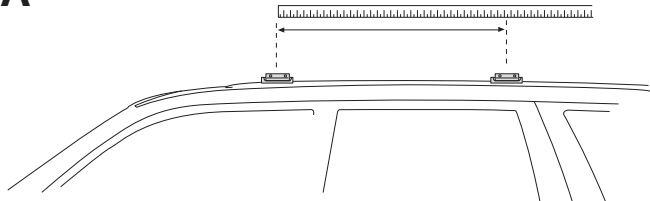


6



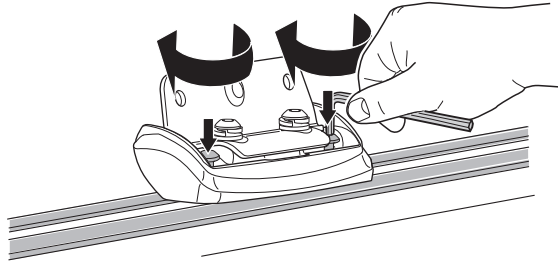
A

24" – 28" / 610 – 711 mm

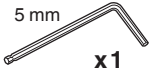


B

2.5 Nm
1.8 Ft.Lb



7



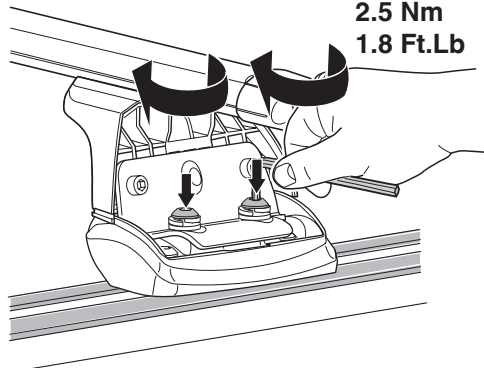
A



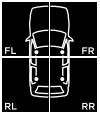
6 Nm
4.4 Ft.Lb

B

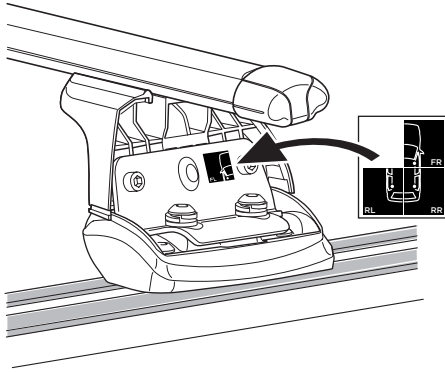
2.5 Nm
1.8 Ft.Lb



8



x1



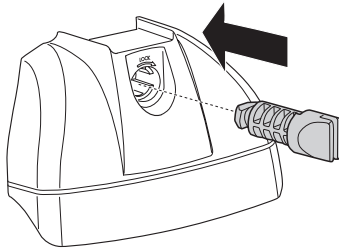
9



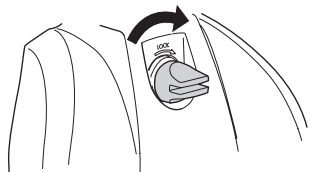
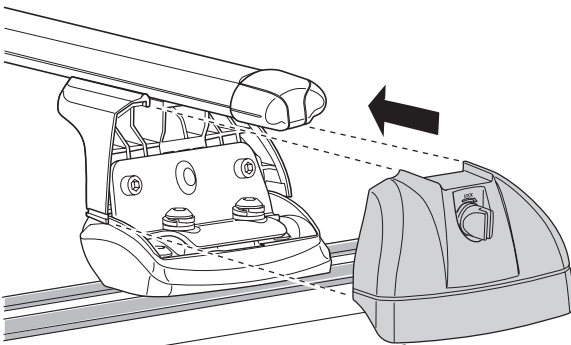
x4

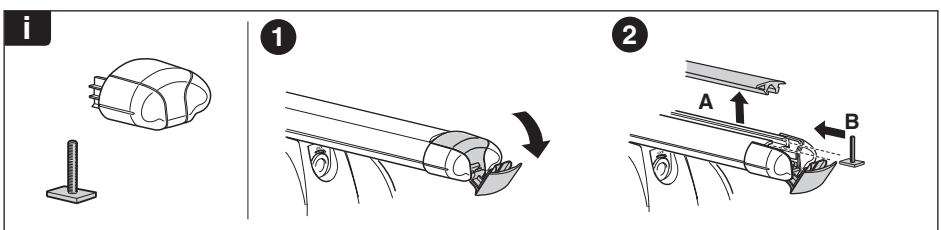
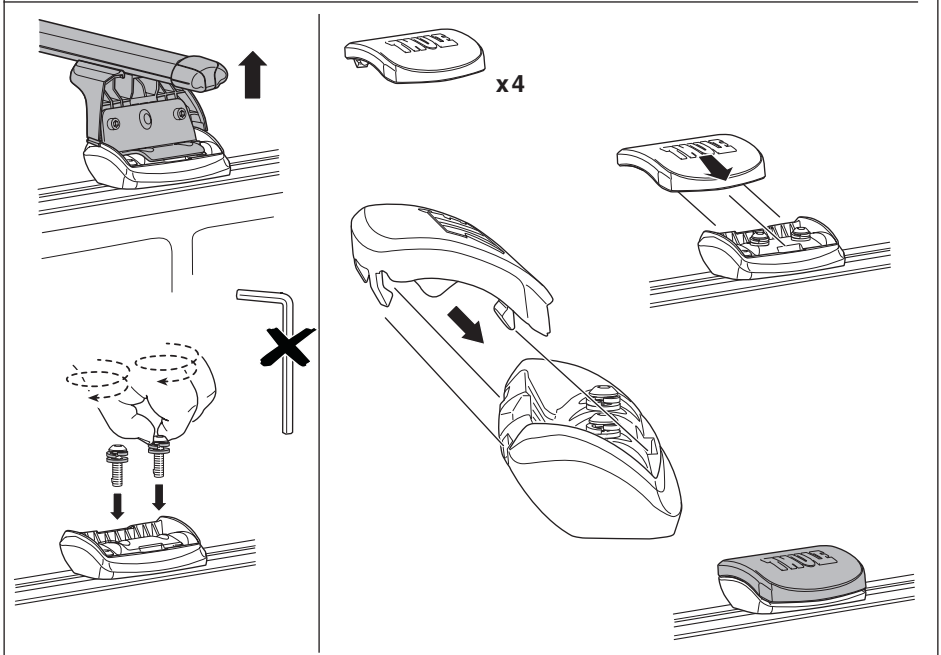
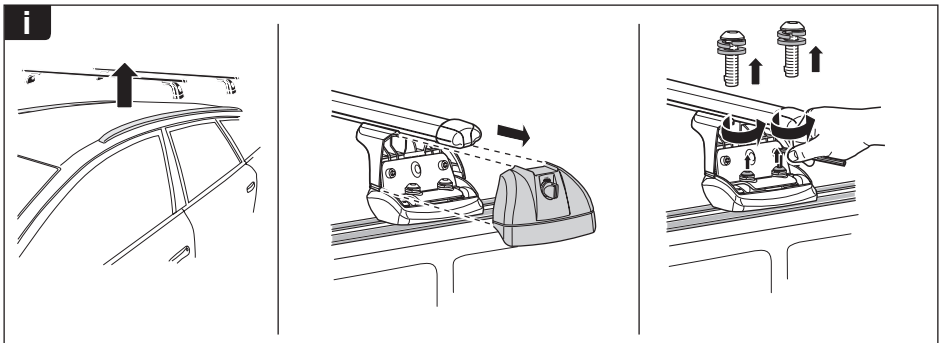


x4



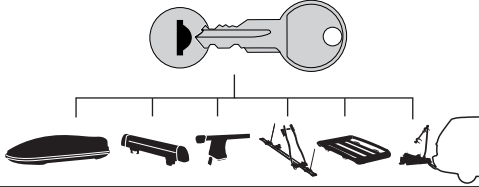
10





THULE[®]
SWEDEN

**ONE
KEY
SYSTEM**



450200  (x2)

450400  (x4)

450600  (x6)

450800  (x8)



Thule Inc., 42 Silvermine Road, Seymour, Connecticut 06483, USA



customer.service@thule.com



www.thule.com

506-3101_01