



Rooftop Tent Owners Manual

Congratulations on purchasing your
TUFF STUFF ROOFTOP TENT - the quick and easy way to enjoy camping.

Included in this leaflet is all the information that you require to obtain the maximum enjoyment and benefit from your rooftop tent. Given proper care your rooftop tent will give you many years of trouble free camping.

1. Attaching the Mounting Rails to the Open Sky Rooftop Tent

1.1. Direction of Opening

Before you fit your new rooftop tent to your vehicle, you will need to decide whether you wish to have the rooftop tent open to the back or to the side of your vehicle.

A. "Off the Back"

For most larger size vehicles opening "off the back" is preferable. The advantages of this orientation are:

- leaves extra roof space for additional storage.
- with the tent open you will gain weather protection from the tent above you head when accessing the back of your vehicle.

The mounting extrusions need to be cut off at both ends up to the second pre-drilled hole, prior to being fitted to the base of the rooftop tent. See Diagram 1.

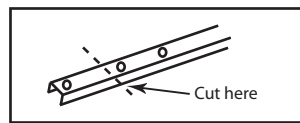
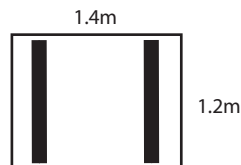


Diagram 1

The mounting extrusions are then bolted to the base of the tent at right angles to the roof rack or roof bars, in the direction of opening (along the length of the tent base).



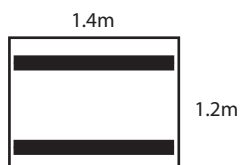
OR

B. "Off the Side"

For most medium or small vehicles opening "off the side" is preferable. The advantages of this orientation are:

- allows for lift up tailgates to operate normally.
- means the closed tent pack is better balanced on the roof and creates less wind drag as the narrow face of the tent pack is travelling forward.

The mounting extrusions bolt to the base of the tent at right angles to the roof rack or roof bars (across the width of the tent base)



Once you have decided which is best suited to your application, follow the mounting instructions. If you are uncertain of the most appropriate method of mounting your rooftop tent, please contact TUFF STUFF Corporation Limited or your distributor who will be happy to provide advice particular to your circumstances.

1.2. Mounting Extrusion - Attachment Instructions

1. Remove mounting extrusion from the carton (cut as per Diagram 1 if you intend opening the rooftop tent off the rear of your vehicle.)
2. Place the tent on its side on the ground onto a clean surface.
3. Using the supplied 6mm bolts and washers, slide your hand in between the inside of the base and the mattress and insert the bolts into the pre-drilled holes. See Diagram 2.
4. Place the mounting extrusion into position over the bolts.
5. Slide the 6mm nuts into the mounting extrusions and tighten the bolts from inside the tent. See Diagram 2.
6. Near the outside edges of the mounting extrusion you will find holes for the self drilling screws supplied. Use the self drilling screws and washers to attach the outside edge of the mounting extrusion to the base of the tent through the end pre-drilled holes.
7. Mount the Ladder brackets to the ladder using the supplied 6mm x 20mm bolts, washer, plastic washer, spring washer and nut. See Figure 1.
8. Mount the ladder to the base of the tent using 4 x 6mm x 40mm bolts. Bolt each ladder bracket to the base of the tent through the pre-drilled holes. See Figure 2.

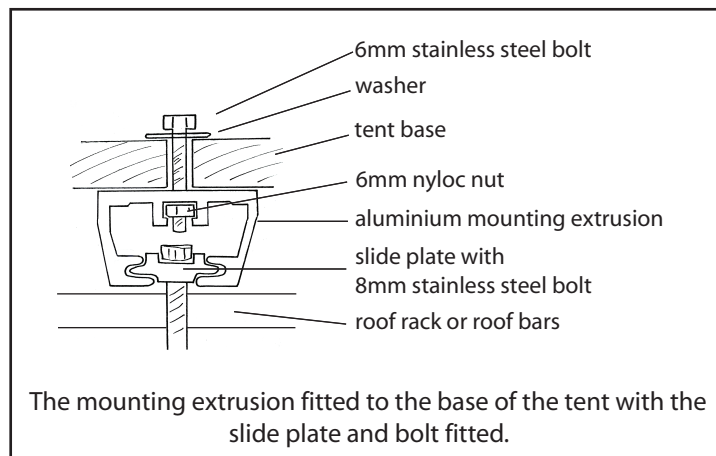


Diagram 2

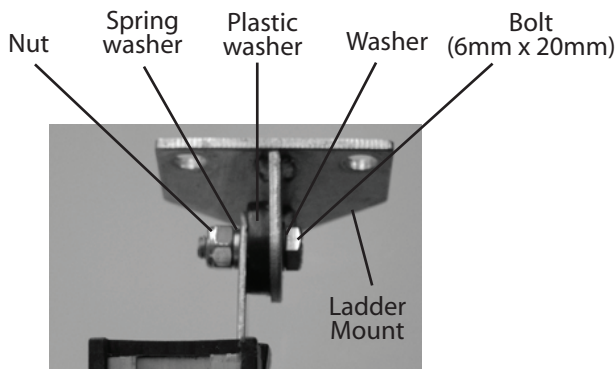


Figure 1



Figure 2

2. Fitting the Rooftop Tent to your Roof Rack or Roof Bars

1. Lift the tent onto the vehicle.
2. Place 8mm bolt into the slide plate. Slide the plate and bolt into the mounting extrusion. See Figure 3.

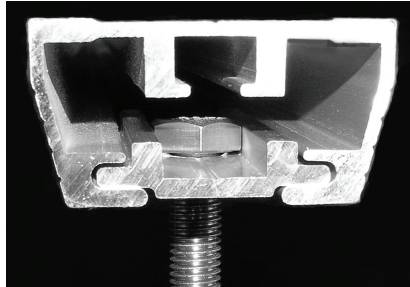


Figure 3

3. Attach the rooftop tent to your roof rack or roof bars in four places as per Figure 4. Use 2 bolts and 2 slide plates with the base plate to hug the bar. 1 set per corner.

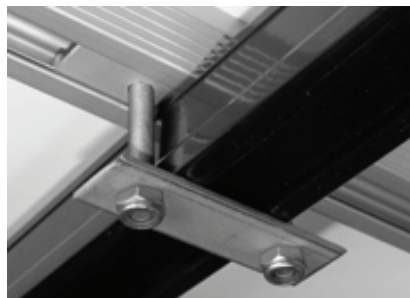


Figure 4

4. Prior to tightening all the nuts, ensure that your rooftop tent is centred (side to side) on the roof of your vehicle and that the mounting points (as far as possible) are symmetrically positioned near each corner of the tent.

5. **NB. Do not over tighten nuts as this will cause the bolt head to strip the aluminium slide plate.**

3. Set Up Instructions

1. Remove the travel cover from the tent by unzipping around the 3 edges and slide the remaining edge from the rope track. See (1)
2. Release the hold down velcro straps on each side of the tent.
NB - When closing the tent, do not pull down on the side retaining velcro straps. See caution below.
3. Slide out the ladder until the locking pins engage. The ladder can now be used as a lever to open the tent. See (2)
4. Rest the ladder on the ground, and enter the tent. Release the four bungee cords from inside of the tent. Note: if the angle of the ladder is too upright you will require a ladder extension. If you are using an annex, you will also require a well extension for your annex. (SOLD WITH LADDER EXTENSION)
5. Pull out the U-shaped aluminium bar and insert each end into the retaining socket. See (3). **If you are using the TUFF STUFF Rooftop Tent Annex** you are now ready to attach the annex. If you are not attaching the annex use the guy ropes and pegs provided to tension the veranda of the tent. See (4)
6. Slide the rope section of the annex into the extrusion at the hinge area of the tent base, attach the remaining three sides of the annex to the tent by fastening the one piece zip. See (5). Square out the floor of the annex and peg into the ground using the supplied pegs, using the strap adjusters to tension the annex. See (6) and (7). The annex may also be used without the floor attached.
7. Retrieve the spring steel rods (SSR), these are then positioned to tension the outside window awnings and flysheet. Hook the shaped end of the SSR into the eyelet of the flysheet/window awning. Insert the other end of the SSR into the hole in the base of the rooftop tent, passing through the eyelet in the rooftop tent skirt. This will require you to bend the SSR so that the angle of the SSR is equal to the angle of the hole into which it should be inserted. NB reverse this procedure to remove the SSR from the hole in the base of the rooftop tent. See (4)
8. Should you wish to use the annex and require that the ladder be out of the way, you may secure the ladder to the base of the tent using the velcro strap as shown. See (8)
9. Repeat all the above steps in the reverse order to pack away your rooftop tent.
10. Note:
 - The annex is stored separately in its own bag. When packing away your tent, depending on your bedding volume it may be necessary to take your pillows out of the tent.
 - When using the annex, place the rubber mat under the ladder to protect the annex floor.

4. Ladder Extension Accessory

A Ladder Extension may be required if the height of your vehicle (exceeds 78" off the ground). If a ladder extension is required then you will also require a Well Extension (INCLUDED WITH LADDER EXTENSION) in order to extend the depth of the floor of the annex floor. This is simply a zip on extension panel.

If required slide ladder extension into the base of the main ladder. Position ladder and extension to an appropriate climbing angle. Drill two 8mm holes into the main ladder to accept the two locking pins from the ladder extension.

The overlap of the ladder extension to the main ladder must not be less than 9.5"



5. Storage and Handling Guidelines

5.1. Cautions

- **Do not pull down on side retaining velcro straps when closing the tent.** These straps are designed only to hold the tent base together, and are not designed to be used to pull the bases together. When you are closing the tent, hold down the top folded base to compact the tent, then use the velcro straps to secure the bases in this position. These straps will tear out of the tent if excessive force is applied to the strap.

- **Do not store the tent wet.** If you do have to pack away when the tent is wet, zip closed all canvas doors and windows to protect the inside of the tent, and pack away. As soon as you can, open the tent and let it dry out thoroughly to prevent mould and rot. **If the tent is to be closed up for extended periods of time it is very important that the tent is completely dry.**

- **Do not drill locking holes below the existing locking pin holes in the ladder.** This will weaken the structure of the ladder and can cause injury. If you need to extend the length of your ladder, please purchase a ladder extension. If you need to shorten the ladder you can drill holes above the existing ladder locking pin holes.

- **Be aware that with a rooftop tent fitted to your vehicle the overall height is increased.** Your should measure the overall height of your vehicle with the rooftop tent fitted as you will need this information to decide if the vehicle can enter car parks etc.

- **Centre of gravity.** The attachment of a rooftop tent to your vehicle (similar to any other load on your roof rack) will alter its centre of gravity. Adjust your driving accordingly.

- **In trip inspections.** Regularly check that all nuts and bolts attaching your rooftop tent to the roof of your vehicle are tight and in good repair.

5.2. Storage of the Tent

1. If storing the tent off the vehicle, ensure the tent is packed away completely dry.
2. Be careful not to drag the tent on the ground. This will damage the cover and allow potential water ingress the next time you use your rooftop tent.
3. Do not store directly on concrete floor.

5.3. Care Instructions

1. Clean only with cold water and a soft brush - do not use soap or detergent.
2. Do not expose to petrol, oil or solvents.
3. New poly/cotton fabric will initially experience some weeping through the seems. This will reduce over time as the fabric cures.
4. Well worn products may be re-proofed using a good quality waterproofing solution.

Warranty Terms and Conditions

The TUFF STUFF Rooftop Tent comes with a twelve month (12 month) warranty, effective from the date of purchase.

The warranty covers all aspects of workmanship, finish and fabric.

TUFF STUFF 4X4 will repair at no charge any fault if:

- The fault occurs under normal circumstances, where the TUFF STUFF Rooftop Tent has been used in accordance with the instructions set out in your owners manual.
- The fault is found to be caused by defective or faulty materials, workmanship or manufacturing process.
- Original proof and date of purchase is provided.

This warranty does not cover transport/postal costs and in-transit insurance costs to/from TUFF STUFF 4X4. This warranty applies to the original purchaser and is not transferable. All faulty goods needing repair must be returned to TUFF STUFF or your nearest distributor.

TUFF STUFF 4X4 accepts no responsibility for any damage caused by external factors, i.e. trees, corrugations, shopping centre carparks etc.

TUFF STUFF 4X4
Santa Ana, CA
866-220-0171
support@tuffstuff4x4.com