



FRONT RUNNER

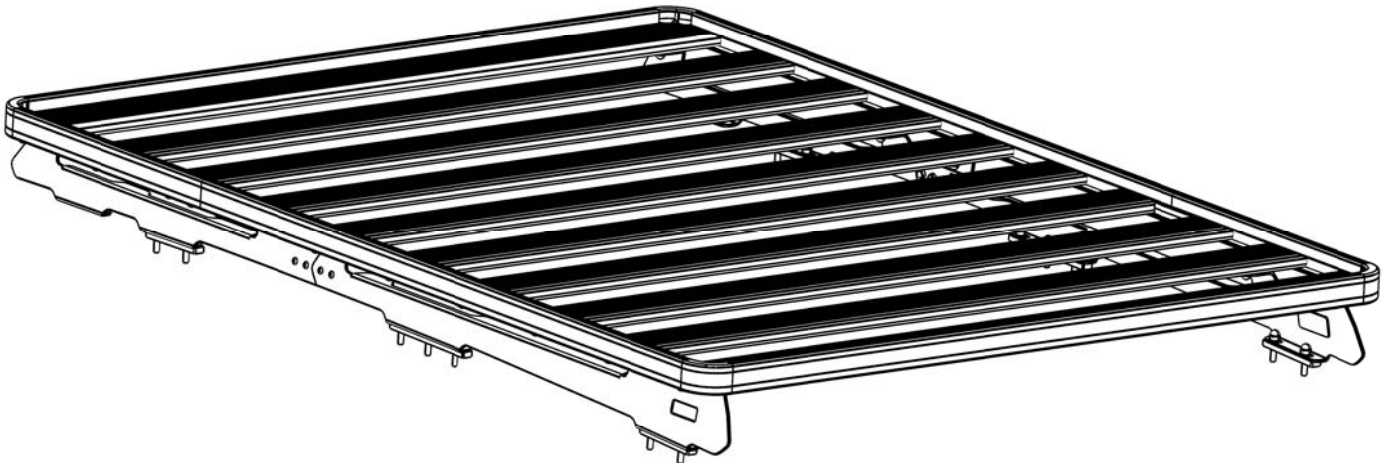
**TOYOTA LAND CRUISER 100
SLIMLINE II RACK
(1345MM X 1964MM)**

ENG

FATL002 / KRTL029T



INSTALL TIME: 1 Hour



READ ME FIRST:

Thank you for purchasing a Front Runner Slimline II Rack.

This Roof Rack consists of a kit that contains:

- 1.) A Slimline II Tray
- 2.) A mounting system specific to your vehicle

This document will help you fit the Slimline II Tray to your specific vehicle.

IMPORTANT WARNING!

IT IS CRITICAL THAT ALL FRONT RUNNER PRODUCTS BE PROPERLY AND SECURELY ASSEMBLED AND ATTACHED TO YOUR VEHICLE. IMPROPER ATTACHMENT COULD RESULT IN AN AUTOMOBILE ACCIDENT, AND COULD CAUSE SERIOUS BODILY INJURY OR DEATH TO YOU OR TO OTHERS. YOU ARE RESPONSIBLE FOR ASSEMBLING AND SECURING ALL FRONT RUNNER PRODUCTS TO YOUR VEHICLE, CHECKING THE ATTACHMENTS PRIOR TO USE, AND PERIODICALLY INSPECTING THE PRODUCTS FOR ADJUSTMENT, WEAR, AND DAMAGE. THEREFORE, YOU MUST READ AND UNDERSTAND ALL OF THE INSTRUCTIONS AND CAUTIONS SUPPLIED WITH YOUR FRONT RUNNER PRODUCT PRIOR TO INSTALLATION OR USE. IF YOU DO NOT UNDERSTAND ALL OF THE INSTRUCTIONS AND CAUTIONS, OR IF YOU HAVE NO MECHANICAL EXPERIENCE AND ARE NOT THOROUGHLY FAMILIAR WITH THE INSTALLATION PROCEDURES, YOU SHOULD HAVE THE PRODUCT INSTALLED BY A PROFESSIONAL INSTALLER OR OTHER QUALIFIED PERSONNEL.

1

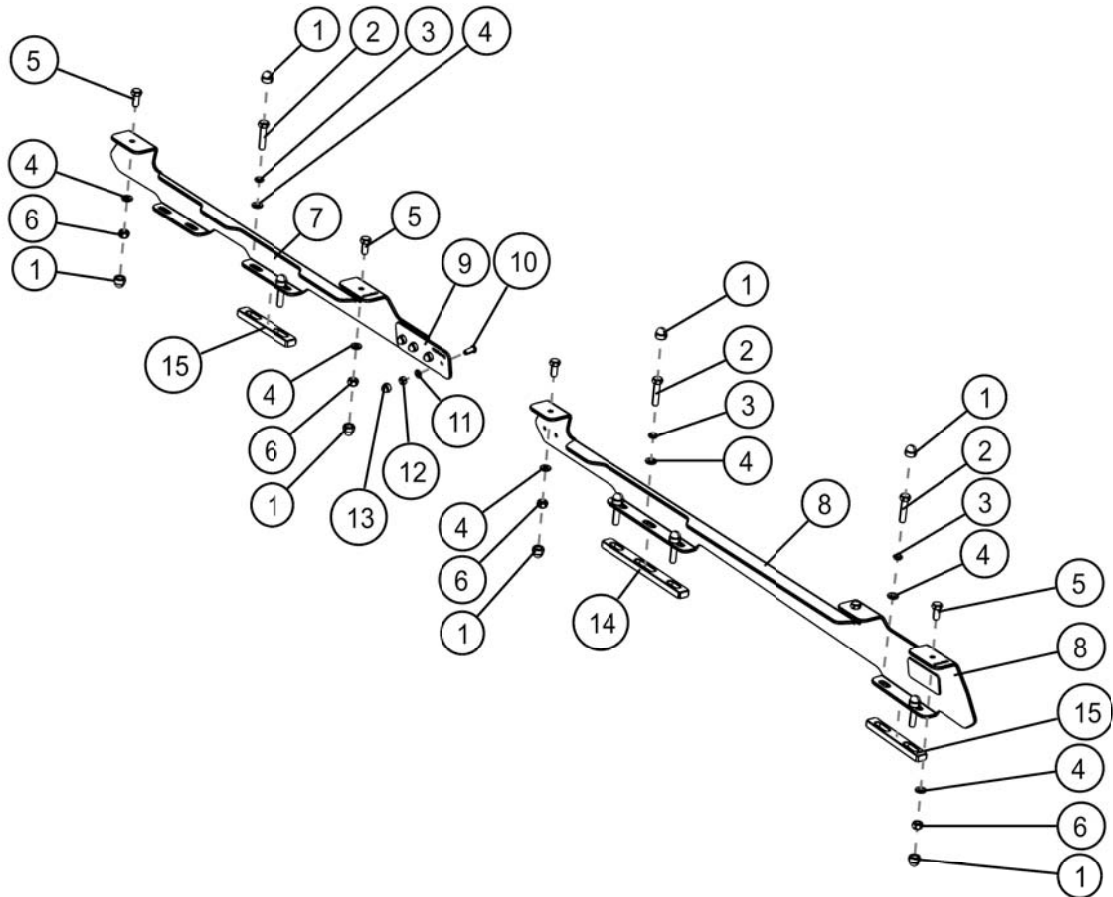
GET ORGANIZED...

Here is what you are looking at: Please note that only the right hand side's components and fitment has been shown.

Item #	Quantity	Description
1	24	M8 NUT CAP
2	14	M8 x 40 HEX BOLT
3	14	M8 SPRING WASHER
4	24	M8 FLAT WASHER
5	10	M8 x 20 HEX BOLT
6	10	M8 NYLOC NUT
7	2	FRONT FOOT RAIL - 1 LFET, 1 RIGHT
8	1	REAR FOOT RAIL - 1 LEFT, 1 RIGHT
9	2	JOINER PLATE
10	8	M6 x 16 BUTTON HEAD BOLT
11	8	M6 FLAT WASHER
12	8	M6 NYLOC NUT
13	8	M6 NUT CAP
14	2	MIDDLE SPACER
15	4	END SPACER

You will need:

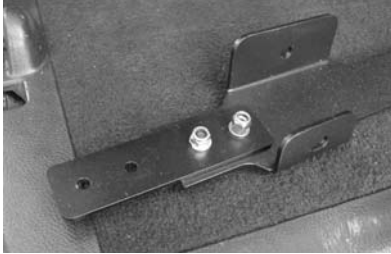
- 13 mm Flat and Socket Wrench
- 12 mm Flat or Socket Wrench
- 10 mm Flat and Socket Wrench
- 4 mm Hex Key
- Measuring Tape
- Rag and Methylated Spirits/denatured Alcohol
- Silicone
- a Friend



(A) Familiarize yourself with the parts and then step away from the work area and read through these instructions from beginning to end. Take a moment as a little prep now may save you a lot of time later.

2 FIT THE FOOT RAILS

- (A) Loosely join the Front and Rear Foot Rails (Items 7 & 8) together using the M6 x 16 Button Head Bolts, M6 Flat Washers, M6 Nyloc Nuts and Joiner Plates (Items 9, 10, 11, 12). Tighten all the Nuts and Bolts and place a M6 Nut Cap (Item 13) over each Nyloc Nut.

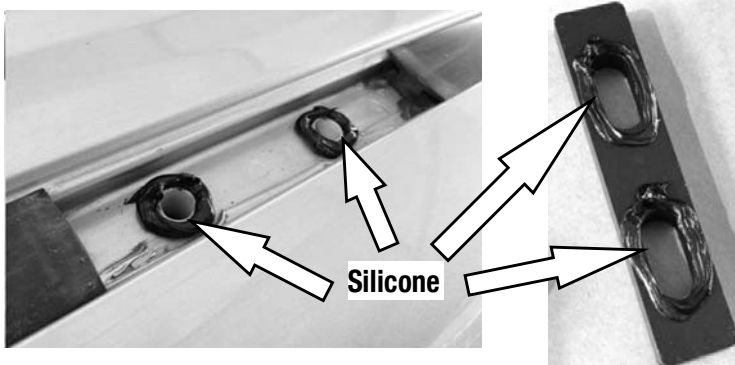


- (B) Locate and remove the six Plastic Covers (three each side) in the Ditch Moulding of the vehicle's roof. This is done by pushing the covers towards the front or rear of the vehicle and lifting.



- (C) Remove the bolts and steel bracket below each Plastic Cover removed in Step 2B. The front and rear brackets are secured with two bolts and the center brackets are secured using three bolts.

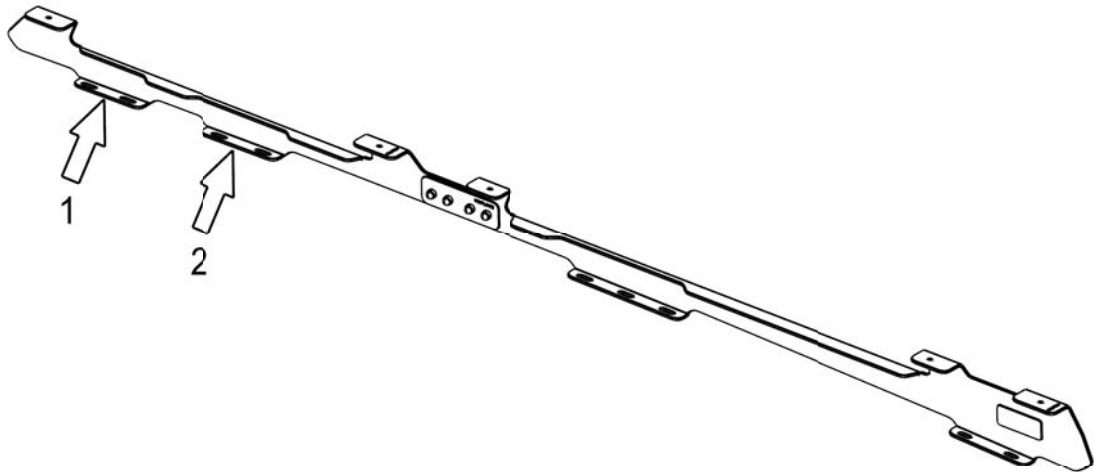
- (D) Clean the area around the threaded holes in the vehicle's roof using a rag and some methylated spirits / denatured alcohol. Place some silicone around each threaded hole in the vehicle's roof and the cut-outs in each of the Spacers (Item 14 & 15) as shown. Position the Spacers into the vehicle's gutters (silicone side down, lining up the cut-outs in the Spacers with the threaded holes in the vehicle roof).



2 FIT THE FOOT RAILS CONT...

- (E) Place the assembled Foot Rails onto the vehicle's roof, lining up the mounting holes in the bottom of the Foot Rails with the mounting points on the vehicle. Depending on the vehicle specifications, you will either use mounting point number 1 or 2 as indicated by the arrows for the front of the vehicle. The remaining mounting point will rest on the rubber ditch moulding.

The Product Sticker must go to the rear of the vehicle and must be facing outwards. Push the Foot Rails as far back as possible.



- (F) Secure the Foot Rails to the vehicle using the M8 x 40 Hex Bolts, M8 Spring Washer and M8 Flat Washers (Items 2, 3, 4). Place a M8 Nut Cap (Item 1) over each Bolt Head once fastened.



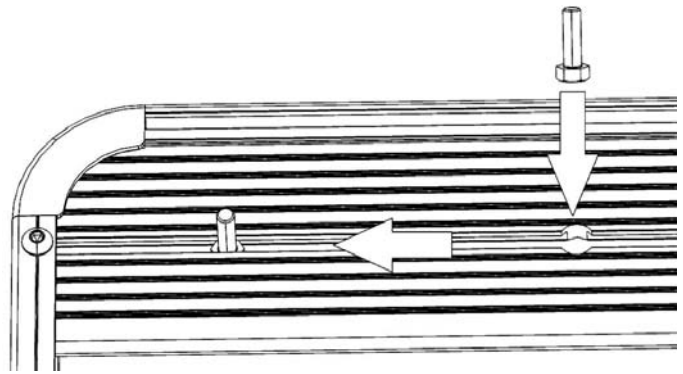
3 FIT THE RACK



Note: If your Slimline II Tray is not already assembled, assemble it as per the Slimline II Tray Universal Assembly Instruction (Document RRSUNI). Read Step 3A before fitting the Wind Deflector

3 FIT THE RACK CONT...

- (A) Before fitting the Wind Deflector, and with the Rack in the upside down position, (Check with product sticker. It should be upside down), slide a M8 x 20 Hex Bolt (Item 5) into each end of the First Slat using the machined slot as shown.



- (B) With your rack still upside down from Step 3A, slide a M8 x 20 Hex Bolt (Item 5) into the end of Slats 4, 5, 9, 10.

Grab your Friend and with one of you on each side of the Rack, flip the Rack end over end (This prevents the Hex Bolts from falling out of the machines slots) so that the M8 x 20 Hex Bolts are facing down. Approach the vehicle from the rear, with the Wind Deflector facing forward. Lift the Rack up and over the Roof positioning it above the Foot Rail. Bring the Rack down slowly, lining up the Bolts in the Rack with the holes in the top of the Foot Rail. Hand tighten the Rack to the Foot Rail using the M8 Washers and M8 Nyloc Nuts (Items 4 & 6) supplied.

Center the rack - left to right (check using a tape measure). Fasten all the Nuts securing the Rack to the Foot Rail. Cover the M8 Nyloc Nuts with the M8 Nut Caps (item 1) supplied.

Congratulations, you have completed your installation. Take a step back and admire your work. Good Job!

4 TAKE A TRIP

- (A) After your first adventure, check that all nuts, bolts, screws and fittings are tight. Re-tighten where needed. You'll find a small amount of settling has happened.

Go on many more adventures, periodically checking all nuts, bolts, screws and fittings.



Front Runner can not recommend a maximum load carrying capacity. Please refer to your vehicle manufacturer's recommendations.