



# RHINO-RACK

Aerodynamic & Heavy Duty Roof Rack Systems

## RCP01 Rhino Heavy Duty - Honda CRV Two Crossbar System

Place these instructions in the vehicle's glove box after installation is complete.

**Important:** Please read these instructions carefully prior to installation.  
Please refer to your fitting instruction to ensure that the roof racks are installed in the correct locations.  
Check the contents of kit before commencing fitment and report any discrepancies.

### Parts List

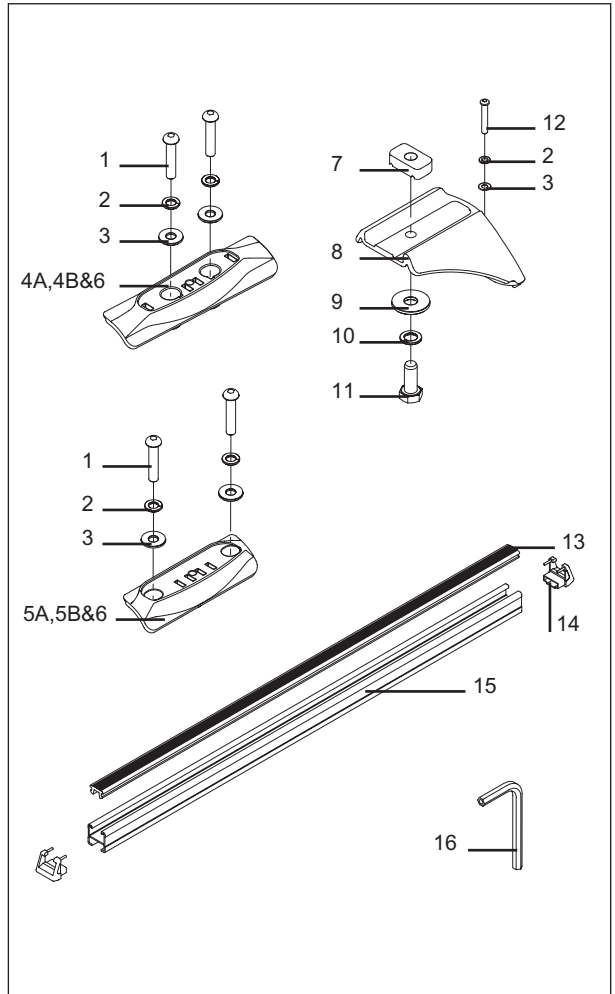
Item	Component Name	Qty.	Part No.
1	M6 x 16mm Button Hd Security Screw	8	B061
2	M6 Spring Washer	12	W004
3	M6 x 12mm Flat Washer	12	W003
4A	Honda CRV Front Left Mounting Pad	1	M090
4B	Honda CRV Front Right Mounting Pad	1	M091
5A	Honda CRV Rear Left Mounting Pad	1	M092
5B	Honda CRV Rear Right Mounting Pad	1	M093
6	Fin-Loc Brass Nut	4	N014
7	M10 Channel Nut	4	N024
8	Heavy Duty Pad Leg for RCP Leg Base	4	M123
9	M10 x 38mm x 2.5mm Flat Washer	4	W022
10	M10 Internal Shake Proof Washer	4	W021
11	M10 x 20mm Hex Bolt	4	B003
12	M6 x 27mm Security Bolt	4	B063
13	Heavy Duty Rubber Buffer 1120mm	2	R001
14	Heavy Duty Crossbar End Cap	4	M002
15	Heavy Duty Crossbar 1250mm	2	A019
16	Security Allen Key	1	H021
17	Fitting instruction	1	RR93

### Care Instruction

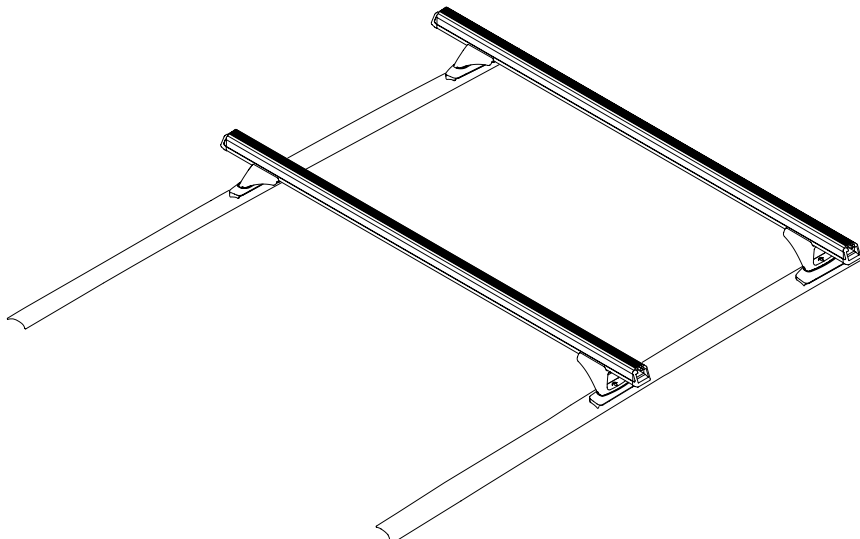
After removing the cover strip from the roof rack mounting location, place the covers in a safe place

### Tools Required

Security type allen key, provided in kit  
Small flat blade screw driver  
Rubber mallet  
5/8 AF spanner

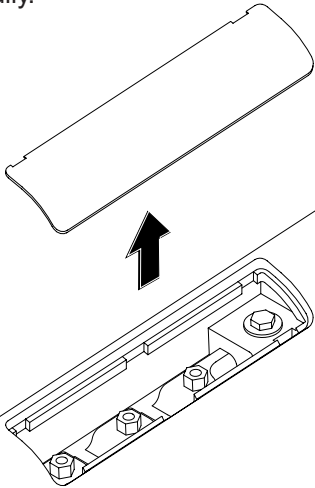


### Layout



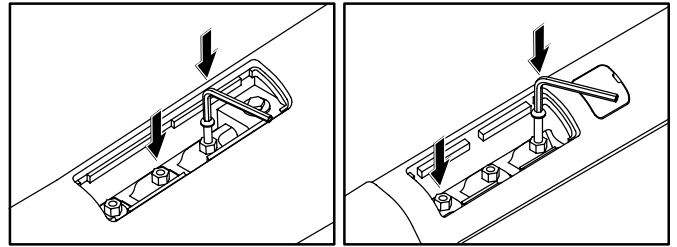
Remove the four covers from the roof rack mounting locations by carefully inserting a small flat bladed screwdriver into the cut outs in the rear of the cover and lever upwards, carefully.

**1**



Using a M6 x 27mm screw and allen key provided, screw the screw into the each of the mounting nutserts, as shown in the diagram below, to clean out the threads. Care should be taken not to damage the paint under the nutsert.

**2**

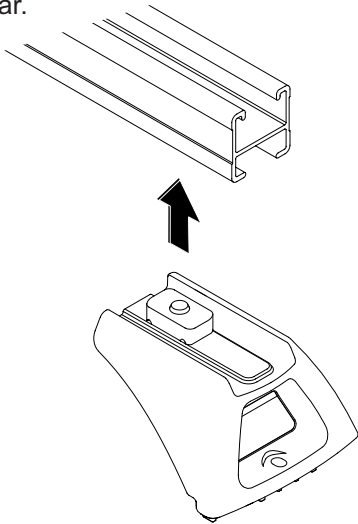


FRONT PADS

REAR PADS

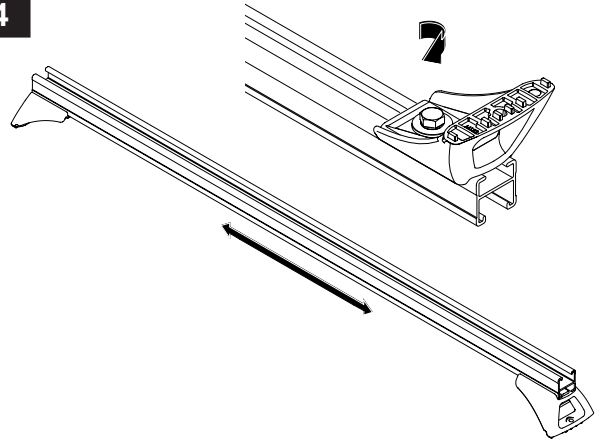
Insert the heavy duty leg assembly into the under side of the crossbar.

**3**



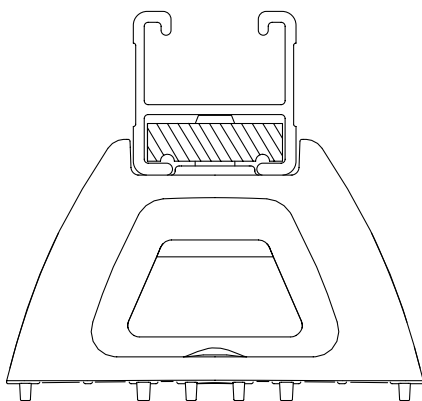
Tighten the leg attachment bolt so that the channel nut turns to locate across the crossbar. Finger tighten the bolt, as the legs will require adjustment later.

**4**



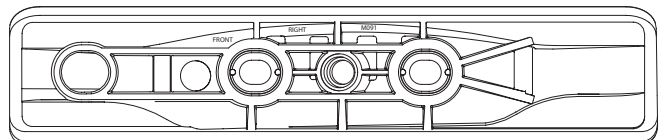
Check that the channel nut is fully located across the bar.

**5**



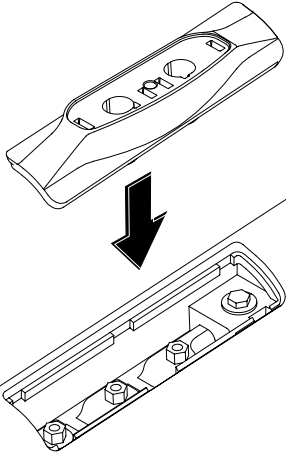
Each mounting pad is identified with a pad position and part number. The mounting pad positions are, front left, front right, rear left and rear right side pad. Note: The right hand side of the vehicle is the driver side.

**6**



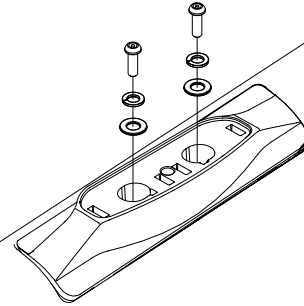
Place the front and rear pads into the roof rack attachment recesses.

**6**



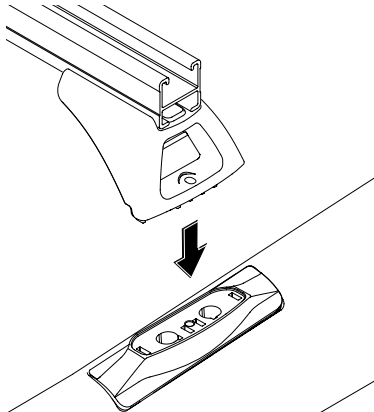
Assemble the M6 spring washers and flat washers onto the M6 x 16mm security screws. Insert the screws into the pad mounting holes and using the allen key provided carefully tighten. Recommended tightening torque 4N/m. **DO NOT OVERTIGHTEN.** Repeat this process for each pad.

**8**



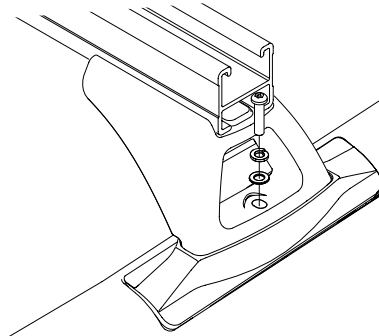
Insert the support legs into the mounting pads.

**9**



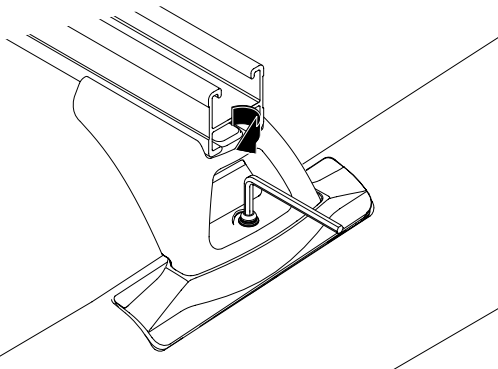
Assemble the M6 spring washers and flat washers onto the M6 x 27mm security screws. Slide the crossbar across to give access to the attachment screw hole. Insert the screw assembly into the support leg mounting holes.

**10**



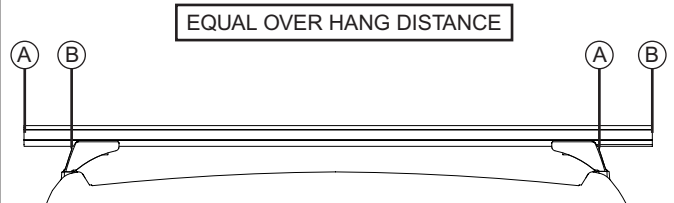
Using the allen key provided, tighten the support leg screws to secure the crossbars. Recommended tightening torque 4N/m. **DO NOT OVER TIGHTEN.**

**11**



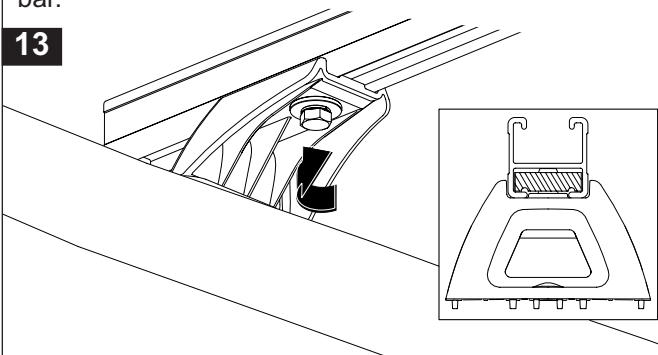
Check the crossbar over hang (A) (B) is equal on both sides, re-adjust if required.

**12**



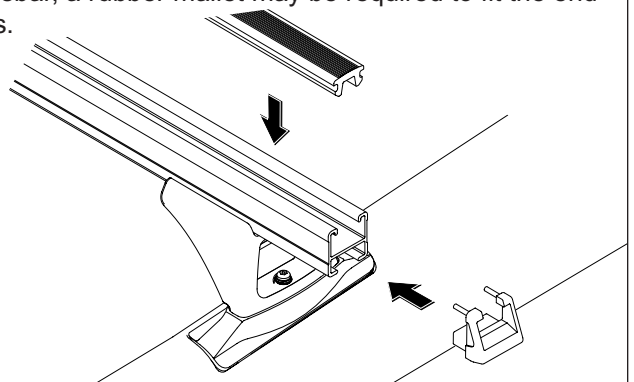
Tighten the crossbar attachment bolts. Recommended tightening torque 5N/m. **DO NOT OVER TIGHTEN.** Check that the channel nut is located across the crossbar.

**13**



Insert the crossbar rubber buffer strip into the top of the crossbar. Insert the end caps into the ends of the crossbar, a rubber mallet may be required to fit the end caps.

**14**



## Removing the Crossbar Assembly

Insert the short end of the allen key into the head of the M6 security screw and remove screw. Remove the crossbars, the mounting pads can remain attached to the vehicle. Do not remove the support legs from the crossbars. Store crossbars and hardware in a safe place. Install cover plates as per separate instruction.

## Refitting the Crossbar Assembly

To refit the crossbar assemblies, place the crossbars onto the mounting pads in their preset positions. Insert the M6 screw assembly as per instruction 10, using the short end of the security allen key, tighten the bolt as recommended in instruction 11.

## Important Information

### RECOMMENDATIONS

Please refer to your fitting instruction to ensure that the Rhino Heavy Duty roof racks are installed in the correct locations.

The vehicle's roof load rating may be less than the Rhino Heavy Duty roof rack load rating.

It is essential that all screw/bolt connections are checked after driving a short distance when you first install your Rhino-Rack. Screw/bolt connections should be checked again at regular intervals (probably once a week is enough, depending on road conditions, usage, loads and distances travelled). You should also check the Roof Racks each time they are refitted.

Roof Racks and accessories should be cleaned and all screw threads should be lubricated at regular intervals. This will help avoid damage to your vehicles paint surface. Always clean the vehicle roof and the mounting brackets before fitting the roof bars.

Rhino-Rack offers a 3 year warranty to the original purchaser of Rhino Roof Rack Systems and Accessories. Rhino-Rack cannot be held responsible for incorrect mounting of the roof racks or for usage that exceeds production tolerances.

Make sure to fasten the load securely. Please ensure that all loads are evenly distributed and that the centre of gravity is kept as low as possible.

### USE ONLY NON-STRETCH FASTENING ROPES AND STRAPS

### SENSITIVITY TO CROSSWINDS, BEHAVIOUR IN CURVES AND BRAKING

The handling of the car changes when you transport a load on the roof.

For safety reasons, we recommend you exercise extreme care when transporting wind resistant loads. Special consideration must be taken into account when braking.

### PLEASE REMOVE ROOF RACKS WHEN PUTTING VEHICLE THROUGH AUTOMATIC CAR WASH

### LOAD RATINGS

Maximum permissible load is 75kg per pair of roof racks (include the weight of the roof bars, 5kg). When Roof Racks are to be used in off-road conditions, please build a safety factor of 1.5 into this load limit (50kg per pair). Although the Roof Racks are tested and approved to AS1235-2000, Australian road conditions can be much more rigorous. Increasing the number of crossbars does not increase the vehicles maximum permissible roof loading.

### NOTE FOR DEALERS AND FITTERS

It is your responsibility to ensure instructions are given to the end user or supplier.

Rhino-Rack  
3 Pike Street, Rydalmere,  
NSW 2116, Australia.  
(Ph) (02) 9638 4744  
(Fax) (02) 9638 4822

Document No: RR-93  
Prepared By: Sheila Oliveira  
Authorised By: Gary England

Issue No: 02  
Issue Date: 24/11/2003

These instructions remain the property of Fetovu Pty Ltd T/as Rhino-Rack and may not be used or changed for any other purpose than intended.