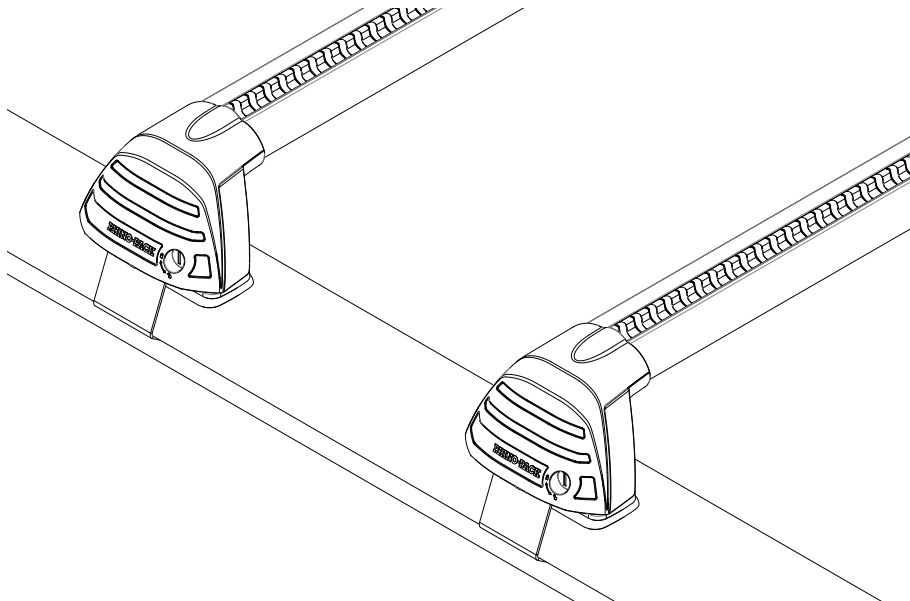


RHINO-RACK

Rhino-Rack ROC25 Crossbar Kit - RLKVF , RLKVFH, RLKVF2, RLKVF2H

- Important:**
- 1. Please refer to your fitting instruction to ensure that the roof racks are installed in the correct locations.
 - 2. Check the contents of kit before commencing fitment and report any discrepancies.
 - 3. Place these instructions in the vehicle's glove box after installation is complete.
 - 4. This kit also requires the DK fitting instructions
 - 5. These instructions must be followed for warranty to be upheld.



Important Information

Maximum carrying capacity: Please refer to your vehicle manufacturers handbook and DK Specification sheet for maximum roof loading. Always use the lower of the two figures. Be sure to check Rhino-Rack website to ascertain if you have the latest version of instructions.

On Road Cargo Allowance	Off Road Cargo Allowance	Roof Allowance	Rack Weight
70kg / 154lb	35kg / 77lbs	75kg / 165lbs	5kg / 11lbs

Advisory:

It is essential that all bolt connections be checked after 48hrs from when you first install your crossbars. Bolt connections should be checked again at regular intervals (once a week, depending on road conditions, usage, loads and distances travelled). You should also check the crossbars each time they are refitted. Make sure to fasten your load securely (see page 2 for advisory diagrams). Please ensure that all loads are evenly distributed and that the centre of gravity is kept as low as possible. **Use only non-stretch fastening ropes or straps.**

Caution:

The handling characteristics of the vehicle changes when you transport a load on the roof. For safety reasons we recommend you exercise extreme care when transporting wind-resistant loads. Special consideration must be taken into account when cornering and braking. **Please remove crossbars when putting vehicle through an automatic car wash.**

Note for Dealers and Fitters: It is your responsibility to ensure instructions are given to the end user or client.

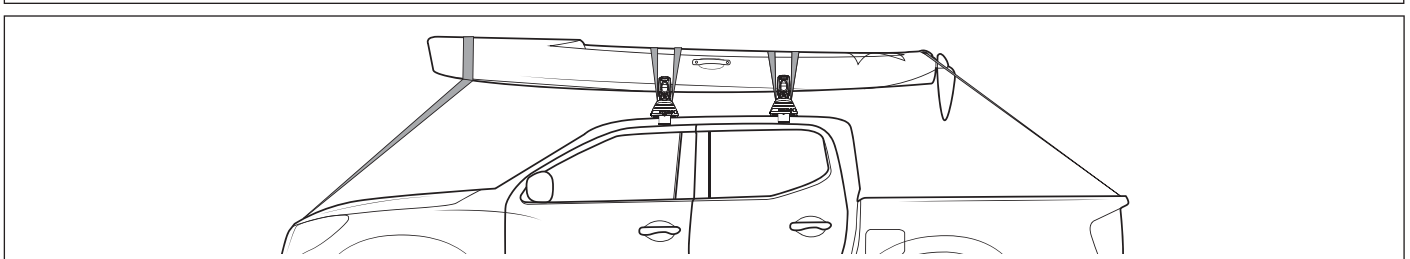
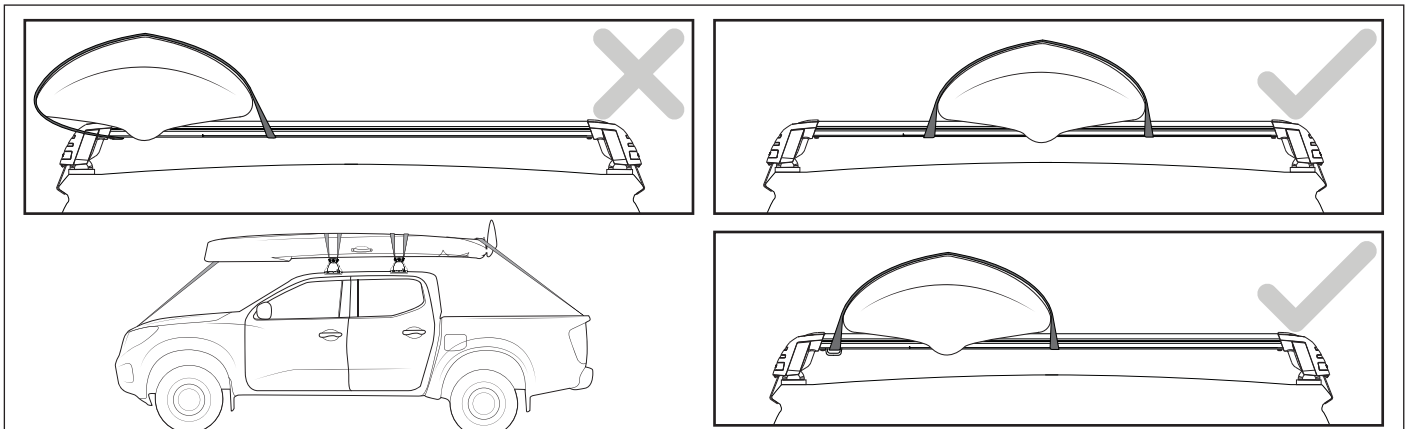
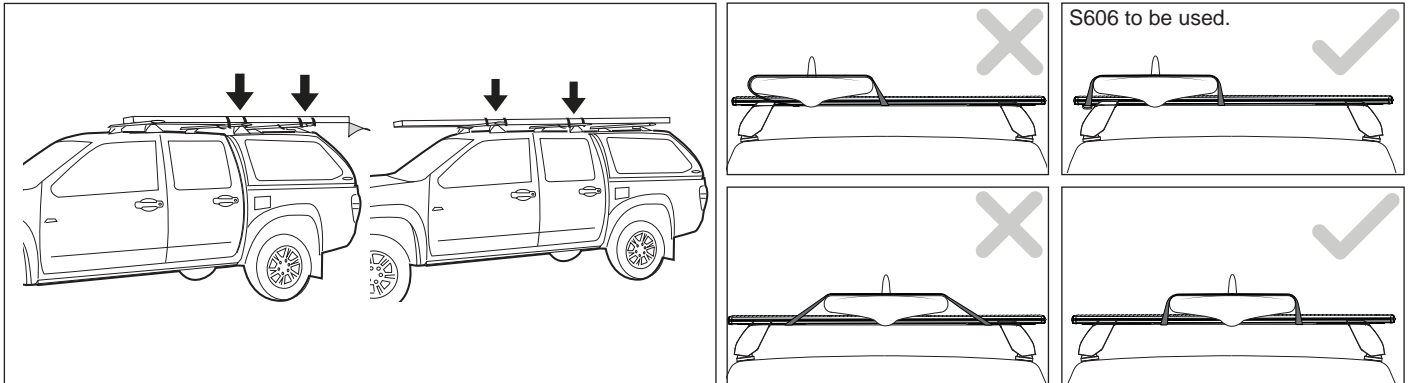
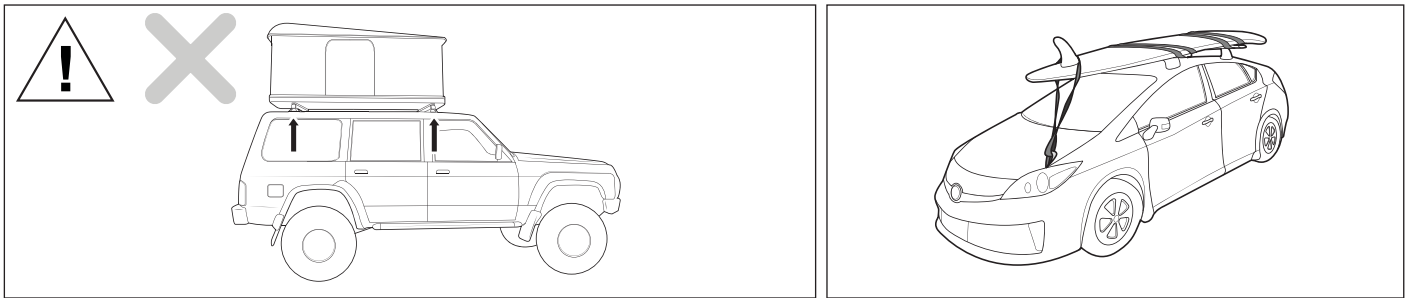
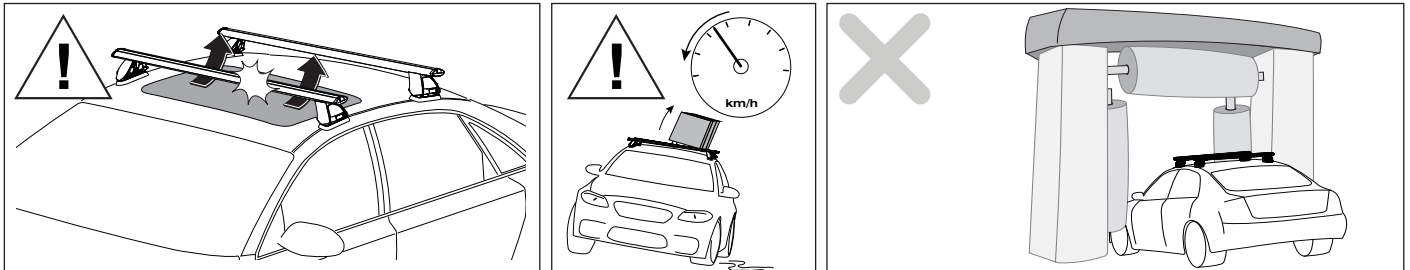
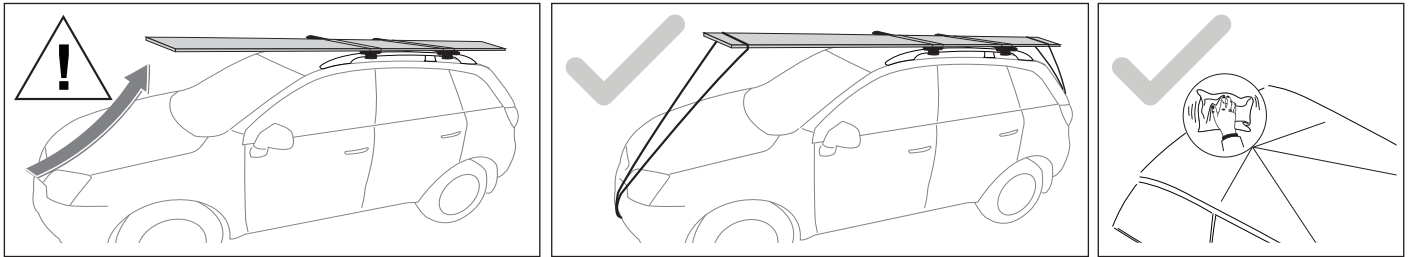
Rhino-Rack
 3 Pike Street, Rydalmere,
 NSW 2116, Australia.
 (Ph) (02) 8846 1900
 (Fax) (02) 9638 4822

Document No: R1682
 Prepared By: Kayle Everett
 Authorised By: Chris Murty

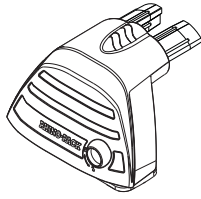
Fit Time: 30min
 Issue No: 02
 Issue Date: 15/01/2018

These instructions remain the property of Rhino-Rack Australia Pty. Ltd. and may not be used or changed for any other purpose than intended.

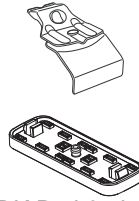
Rhino-Rack ROC25 Crossbar Kit - RLKVF , RLKVFH, RLKVF2, RLKVF2H



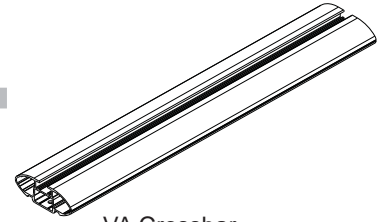
Rhino-Rack ROC25 Crossbar Kit - RLKVF , RLKVFH, RLKVF2, RLKVF2H



Leg kit



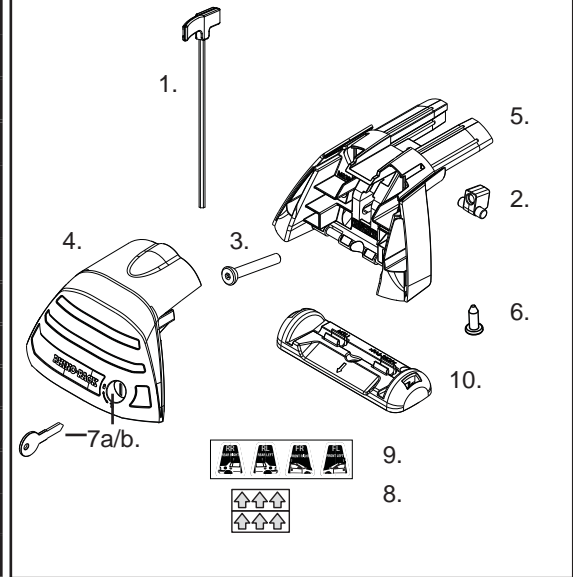
DK Pad & clamp kit



VA Crossbar

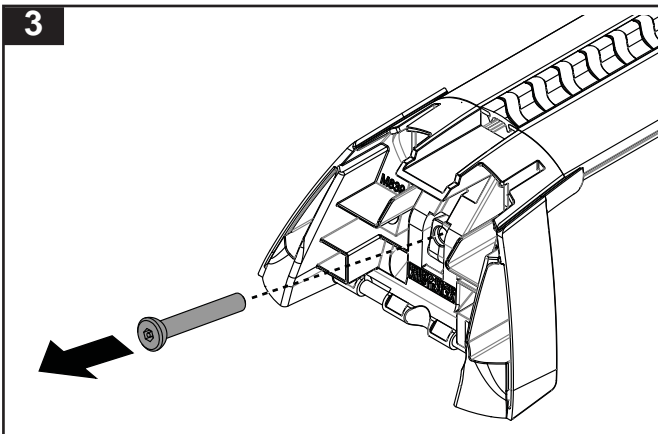
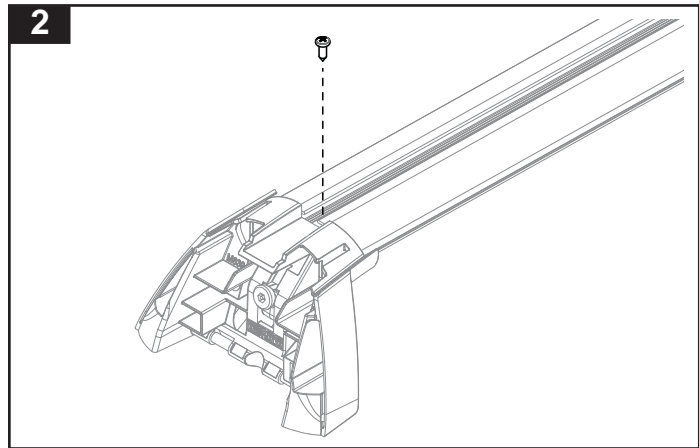
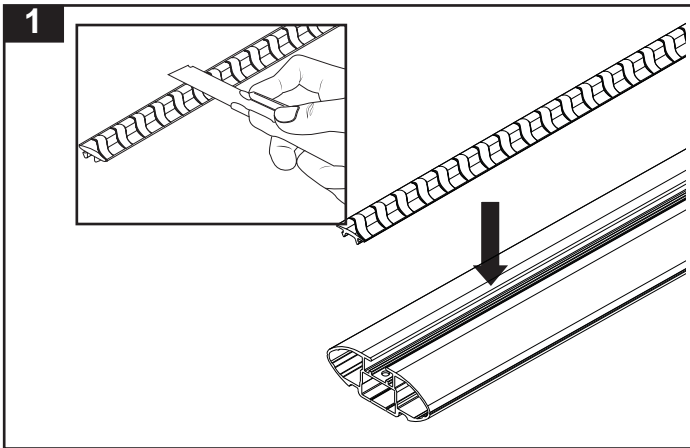
Parts List

Item	Component Name	Qty	Part No.
1	Torque Allen Key	1	TORKEY-L
2	M8 Pivot Nut	4	N047
3	M8 x 47mm Security Bolt	4	B177
4	Cover Plate	4	M841 RLKVF or M840 RLKVF2
5	ROC25 Leg	4	M839
6	Pan Head Phillips Screw	4	B172
7a	Key and Barrel	2	CA1339-BK
7b	Barrel	2	CA1339-B
8	Arrow Label	6	S364
9	Leg Location Label	4	S365
10	Base	4	M311
11	Fitting Instruction	1	R1682

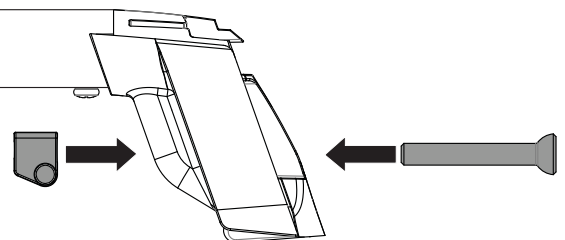


Note: Crossbars require purchase of leg kit, pad/ DK clamp kit and VA crossbars. It is however possible to purchase complete crossbar, in this case skip to step 4. *Half kits qty may vary.

Instructions



Note: Legs will come with hardware assembled, however if the Pivot Nut is not attached to the leg, install as shown with the angled face of the nut facing outwards (as below).



Rhino-Rack ROC25 Crossbar Kit - RLKVF , RLKVFH, RLKVF2, RLKVF2H

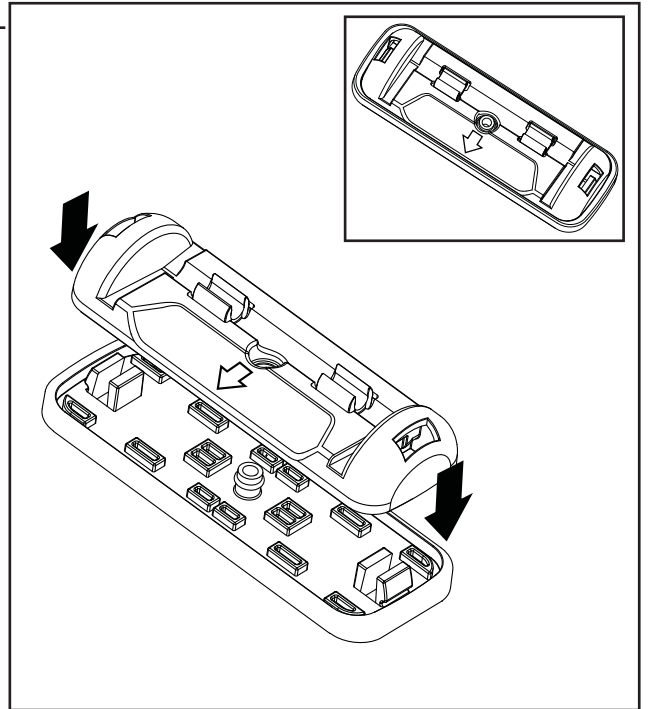
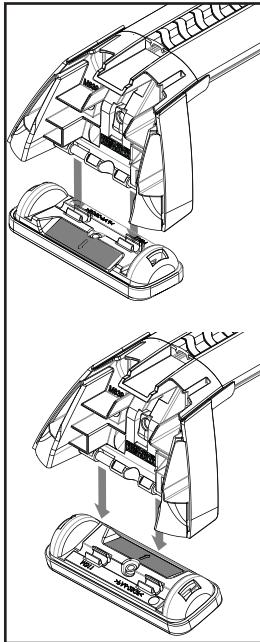
4 Fit the foot plate and rubber pads to the crossbar assemblies. Refer to the DK sheet corresponding to your vehicle for correct orientations. **Note DK440 shown as example only.**

DK001 Rhino-Rack VA, Aero, Euro & HD crossbar instruction

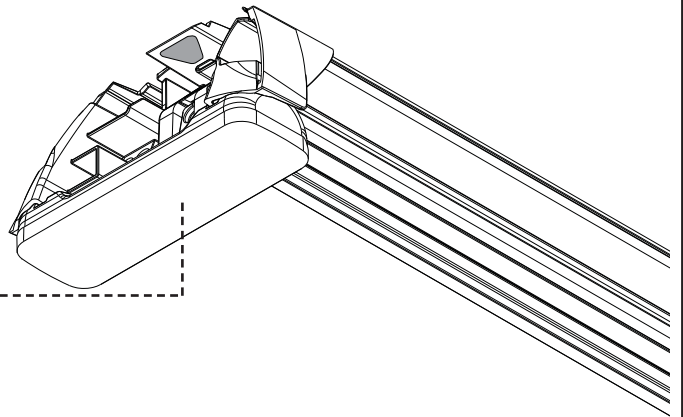
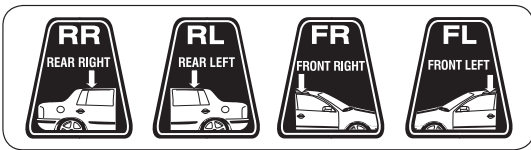
IDENTIFICATION CHART

Vehicle	Year	FRONT CROSSBAR				AERO CROSSBAR				EURO CROSSBAR				HD CROSSBAR			
		Part No.	Part No.	Part No.	Part No.	Part No.	Part No.	Part No.	Part No.	Part No.	Part No.	Part No.	Part No.	Part No.	Part No.	Part No.	
Subaru Impreza	04-05																
Subaru Impreza	06-07																
Subaru Impreza	08-09																
Subaru Impreza	10-11																
Subaru Impreza	12-13																
Subaru Impreza	14-15																
Subaru Impreza	16-17																
Subaru Impreza	18-19																
Subaru Impreza	20-21																
Subaru Impreza	22-23																
Subaru Impreza	24-25																
Subaru Impreza	26-27																
Subaru Impreza	28-29																
Subaru Impreza	30-31																
Subaru Impreza	32-33																
Subaru Impreza	34-35																
Subaru Impreza	36-37																
Subaru Impreza	38-39																
Subaru Impreza	40-41																
Subaru Impreza	42-43																
Subaru Impreza	44-45																
Subaru Impreza	46-47																
Subaru Impreza	48-49																
Subaru Impreza	50-51																
Subaru Impreza	52-53																
Subaru Impreza	54-55																
Subaru Impreza	56-57																
Subaru Impreza	58-59																
Subaru Impreza	60-61																
Subaru Impreza	62-63																
Subaru Impreza	64-65																
Subaru Impreza	66-67																
Subaru Impreza	68-69																
Subaru Impreza	70-71																
Subaru Impreza	72-73																
Subaru Impreza	74-75																
Subaru Impreza	76-77																
Subaru Impreza	78-79																
Subaru Impreza	80-81																
Subaru Impreza	82-83																
Subaru Impreza	84-85																
Subaru Impreza	86-87																
Subaru Impreza	88-89																
Subaru Impreza	90-91																
Subaru Impreza	92-93																
Subaru Impreza	94-95																
Subaru Impreza	96-97																
Subaru Impreza	98-99																
Subaru Impreza	00-01																

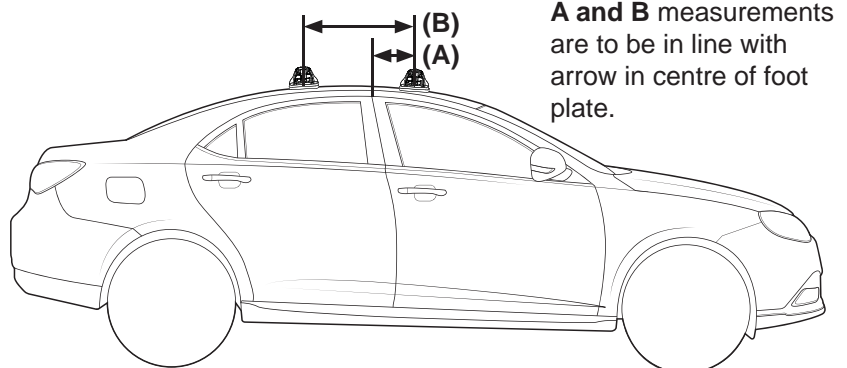
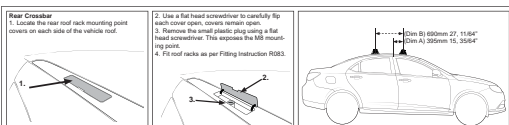
Foot plate action	Rear Right Pad/ Clamp	Rear Left Pad/ Clamp	Meas strip per
UJT	M365 114490	M365 114490	18"
	Arrow FORWARD		
	M365	M365	



5 Stick the leg position labels inside the leg. The labels identify the position of the leg on the vehicle roof. Use as a guide when re-fitting the crossbars after removal. Refer layout below.



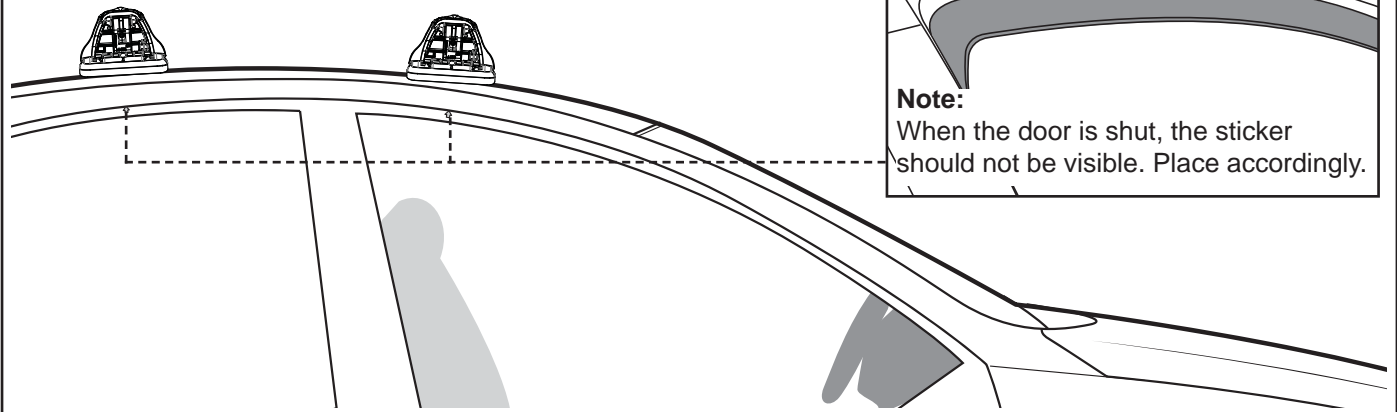
6 Place racks onto the vehicle roof. Refer to DK sheet for correct positioning of your roof racks.
A. Measure forward from where the front and rear doors meet/close.
B. Measure back to set distance between crossbars, centre of front foot plate arrow to centre of rear foot plate arrow. **Note DK sheet shown as example only.**



A and B measurements are to be in line with arrow in centre of foot plate.

Rhino-Rack ROC25 Crossbar Kit - RLKVF , RLKVFH, RLKVF2, RLKVF2H

7 Install sticker decals. These mark reference points for future use when racks are removed and then replaced.



Note:
When the door is shut, the sticker should not be visible. Place accordingly.

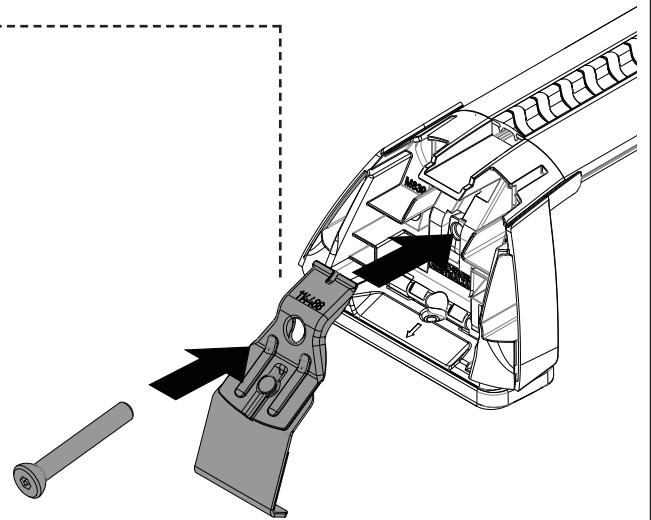
8 The bolt only needs to enter the pivot nut far enough to get a few threads started. **DO NOT** tighten at this stage. Select the correct clamp for the position on the vehicle. This is found on the DK instruction.

Clamp	Front Right Pad/ Clamp	Front Left Pad/ Clamp	Meas strip per
M367	M367	M367	18
114500	114500	114500	
Arrow FORWARD			
M367	M367		

Front

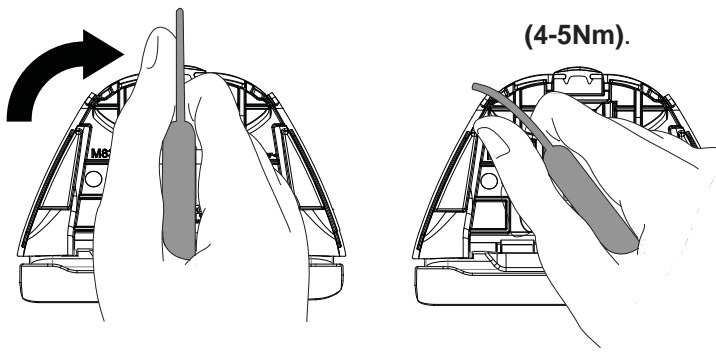
Clamp	Rear Right Pad/ Clamp	Rear Left Pad/ Clamp	Meas strip per
M365	M365	M365	18
114490	114490	114490	
Arrow FORWARD			
M365	M365		

Rear

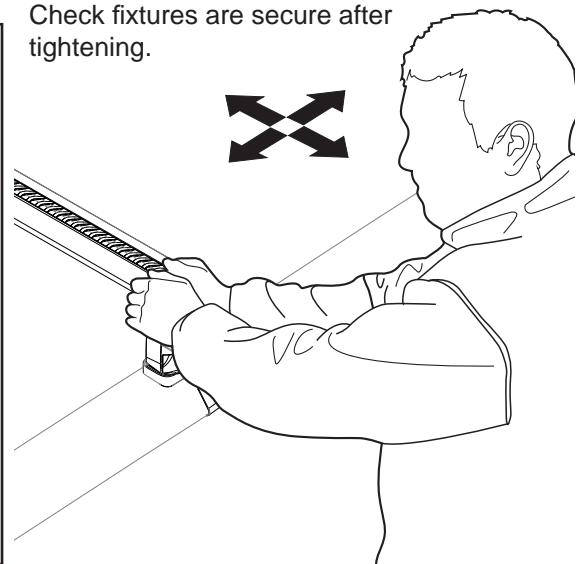


9 Tighten the crossbars evenly (**4-5Nm**). This will ensure the pad sits on the roof as intended. If the clamps are not tightened evenly the pad will sit incorrectly and the crossbars will not be secure.

The Allen Key will give an indication of the correct torque required. The plastic tab on the end of the key will straighten under the approximate tension needed. Additional clockwise turns may be required.

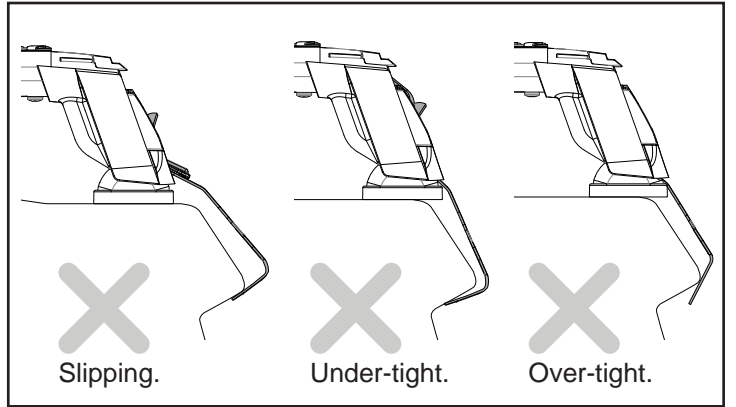
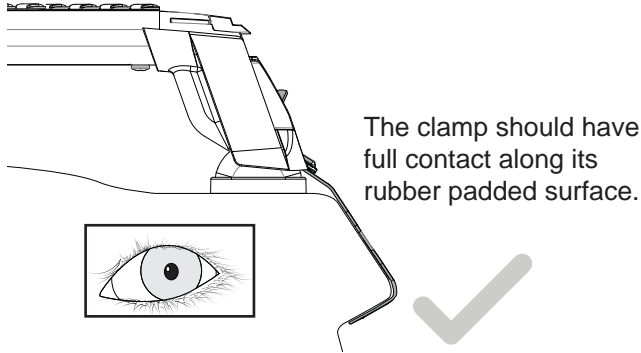


Check fixtures are secure after tightening.



Rhino-Rack ROC25 Crossbar Kit - RLKVF , RLKVFH, RLKVF2, RLKVF2H

10 Visually inspect and ensure that the clamp is correctly seated against the body of the vehicle.



11 Install the cover plates onto the crossbars. Lock with plastic key provided. Reinspect all fixtures and ensure bars are secure before use.

