



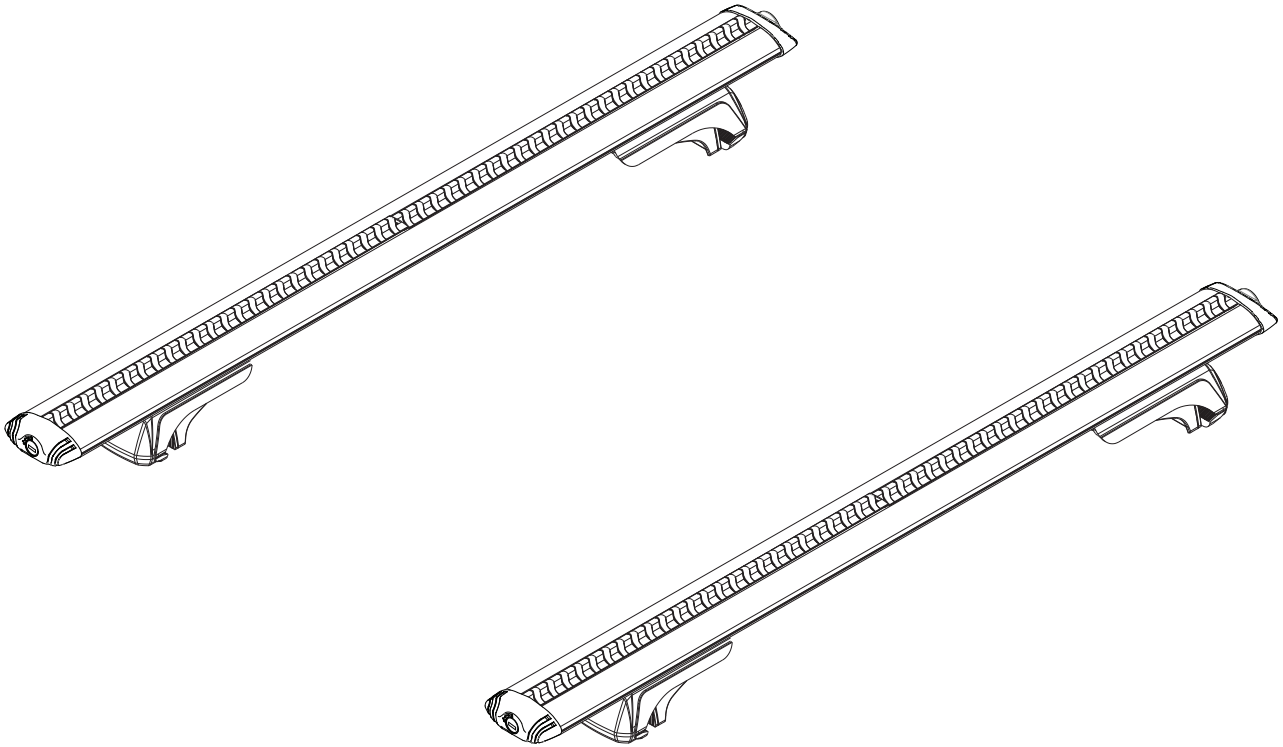
RHINO-RACK

SX100

CONTROLLED

Place these instructions in the vehicle's glove box after installation is complete.

Important: Please read these instructions carefully prior to installation. Please refer to your fitting instruction to ensure that the roof racks are installed in the correct locations. Check the contents of kit before commencing fitment and report any discrepancies.



Max: Up to 100kg (220lbs). *Refer to vehicle/canopy/tonneau cover owners manual for specific maximum load rating. Always use lower of the two figures.

Recommendations:

It is essential that all bolt connections be checked after driving a short distance when you first install your crossbars. Bolt connections should be checked again at regular intervals (probably once a week is enough, depending on road conditions, usage, loads and distances travelled). You should also check the crossbars each time they are refitted. Make sure to fasten your load securely. Please ensure that all loads are evenly distributed and that the centre of gravity is kept as low as possible. **Please remove crossbars when putting vehicle through an automatic car wash.**

Load Ratings:

Maximum permissible load is 100kg (220lbs) for two cross bars including the weight of the cross bars, 5kg (11lbs). When crossbars are to be used in off-road conditions, please build a safety factor of 1.5 into this load limit for off-road use (66kg / 145lbs), include two crossbars = **5kg 11lbs**. Although the crossbars are tested and approved to AS1235-2000/ 15011154, Off road conditions can be much more rigorous. However, increasing the number of crossbars does not increase the vehicles maximum permissible roof loading.

Note for Dealers and Fitters:

It is your responsibility to ensure instructions are given to the end user or client.

Rhino-Rack
22A Hanson Place, Eastern Creek
NSW 1851, Australia.
(Ph) (02) 8846 1900

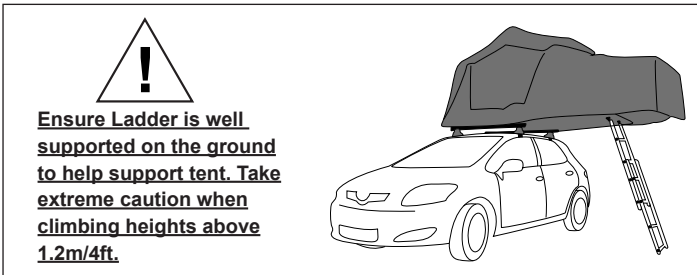
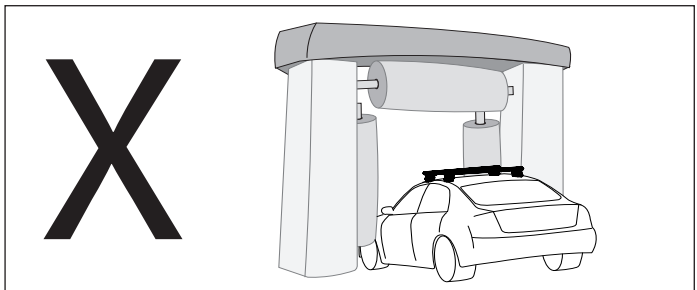
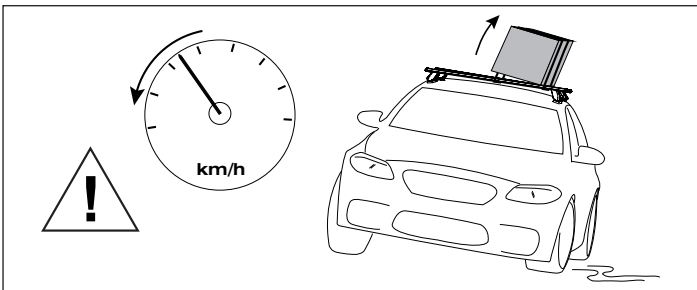
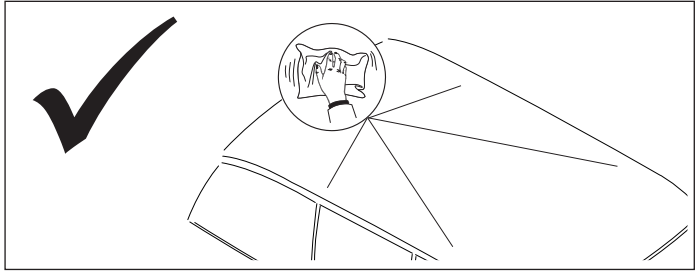
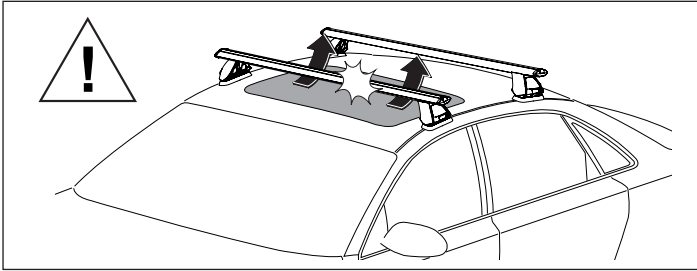
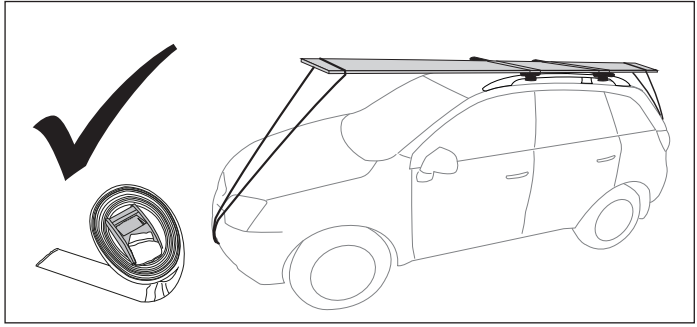
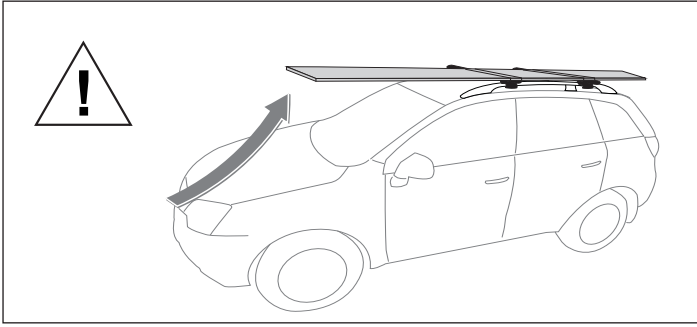
Document No: R1159

Fit Time: 20min
Issue No: 02
Issue Date: 08/10/20

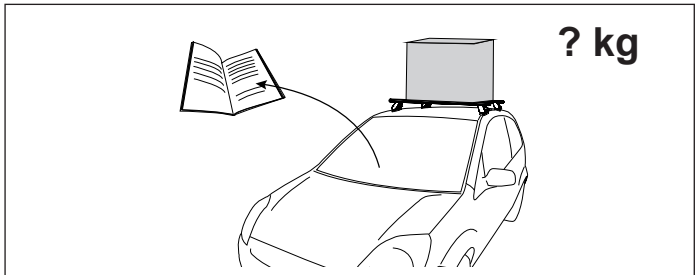
These instructions remain the property of Rhino-Rack Australia Pty. Ltd. and may not be used or changed for any other purpose than intended.



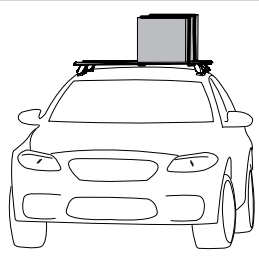
SX100



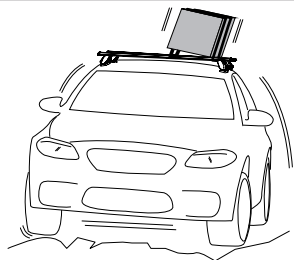
Ensure Ladder is well supported on the ground to help support tent. Take extreme caution when climbing heights above 1.2m/4ft.



When these roof racks are to be used on a vehicle that is driven off sealed roads the maximum load rating must be divided by 1.5. Remember to subtract the weight of the roof racks to determine your maximum permissible load capacity.

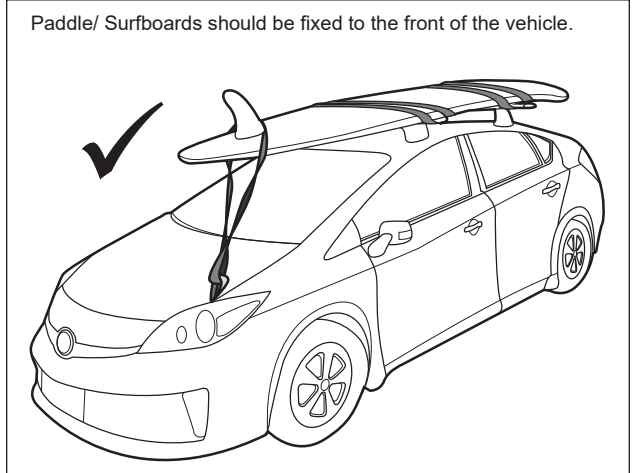


Up to, 2 bars
100kg (220lbs) load rating (Urban road)
= 2 bars 66kg (145lbs) load rating (Off road)
Load rating not taking into account crossbar weight - 5kg



WARNING! Important Load Carrying Instructions

With utility vehicles, the cabin and the canopy move independently. Roofracks and vehicle can be damaged if the item transported is rigidly fixed at points on both the cabin and canopy. Instead, rigidly fix to either the cabin roofracks or the canopy roofracks.

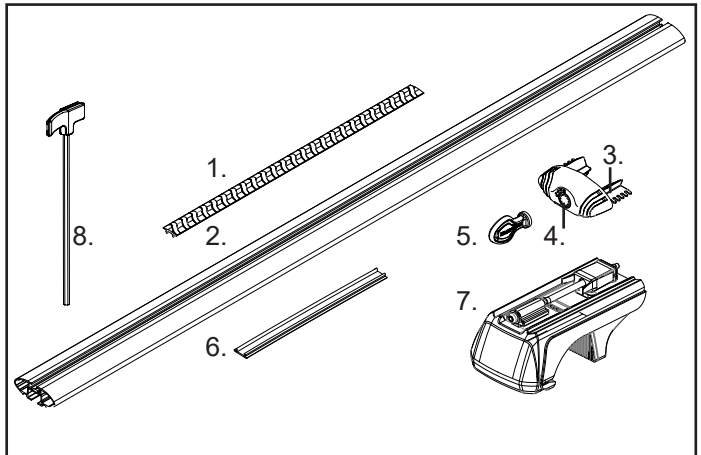




SX100

Parts List

Item	Component Name	Qty
1	Vortex Generating Strip	2-7
2	VA Crossbar	2
3	End Cap	4
4	End Cap Barrel	4
5	Lock Barrel Key	3
6	VA Under Bar Strip	4
7	SX100 Leg	4
8	Torque Allen Key	1
9	Fitting Instructions - R159	1



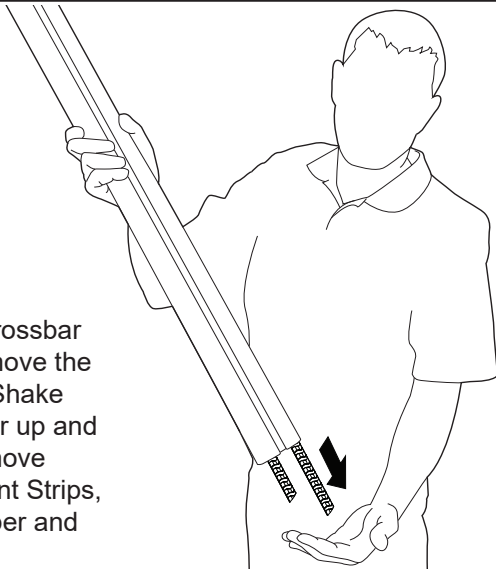
Note: Crossbar lengths will vary depending on vehicle.

Tools Required: - Tape Measure.
- Knife or Scissors.

Instructions

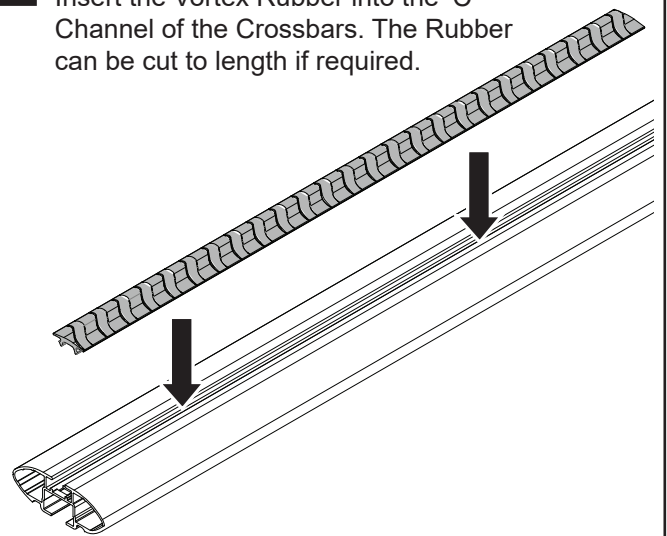
1

Open the Crossbar box and remove the End Caps. Shake the Crossbar up and down to remove Measurement Strips, Vortex Rubber and Key.



2

Insert the Vortex Rubber into the 'C' Channel of the Crossbars. The Rubber can be cut to length if required.

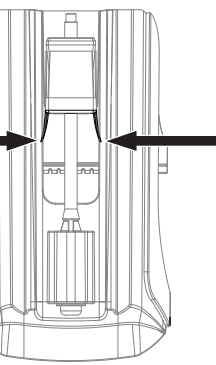


3

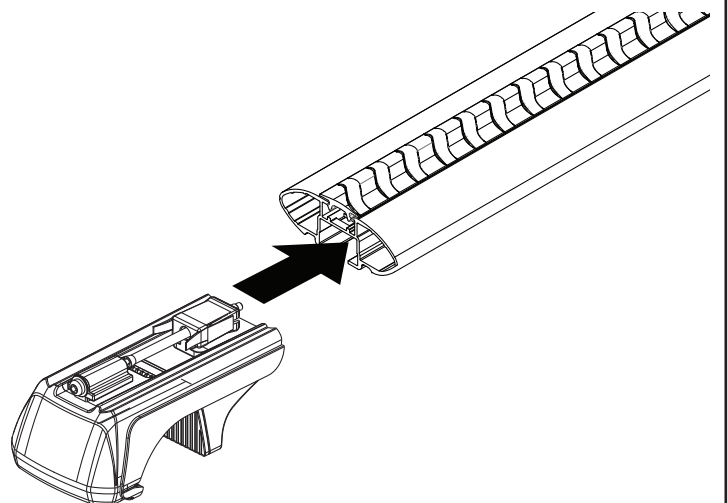
Flex the Grip Tabs inwards slightly on the SX Leg Assembly. With the Tab depressed, insert the Leg into the Crossbar as shown.

Depress the Tabs.

Grip Tabs



Top View:

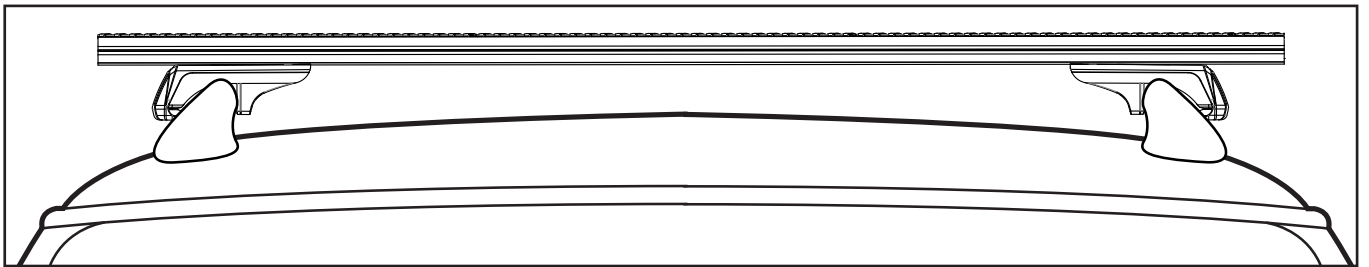




SX100

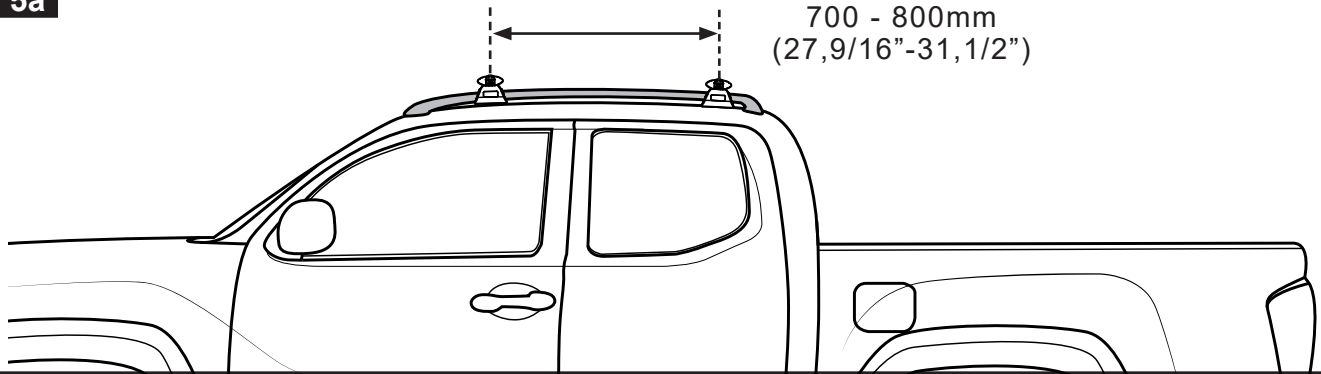
4

Sit the Crossbars onto the Factory Rail so that the Leg Assembly clamps over the Rail.

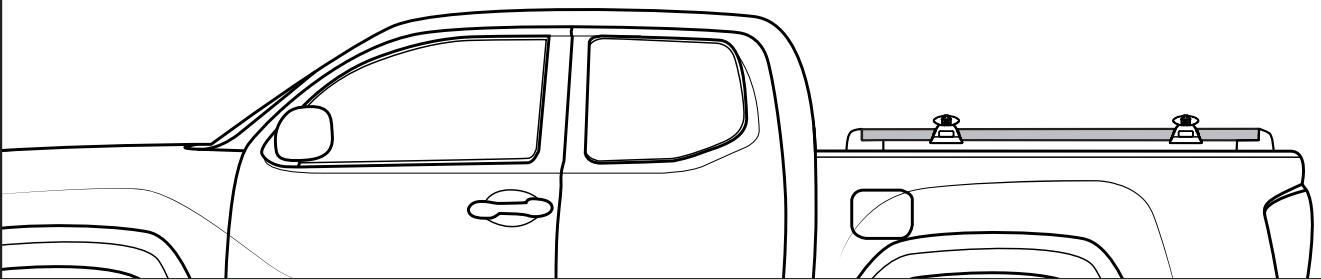


5a

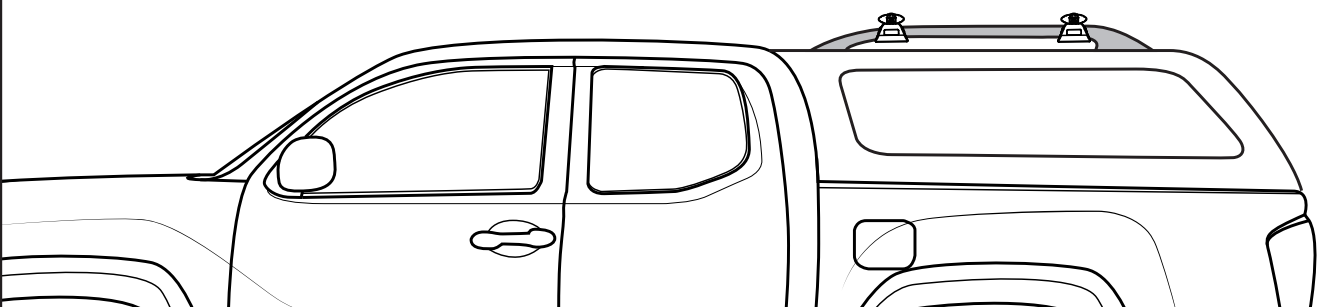
700 - 800mm
(27,9/16"-31,1/2")



5b



5c

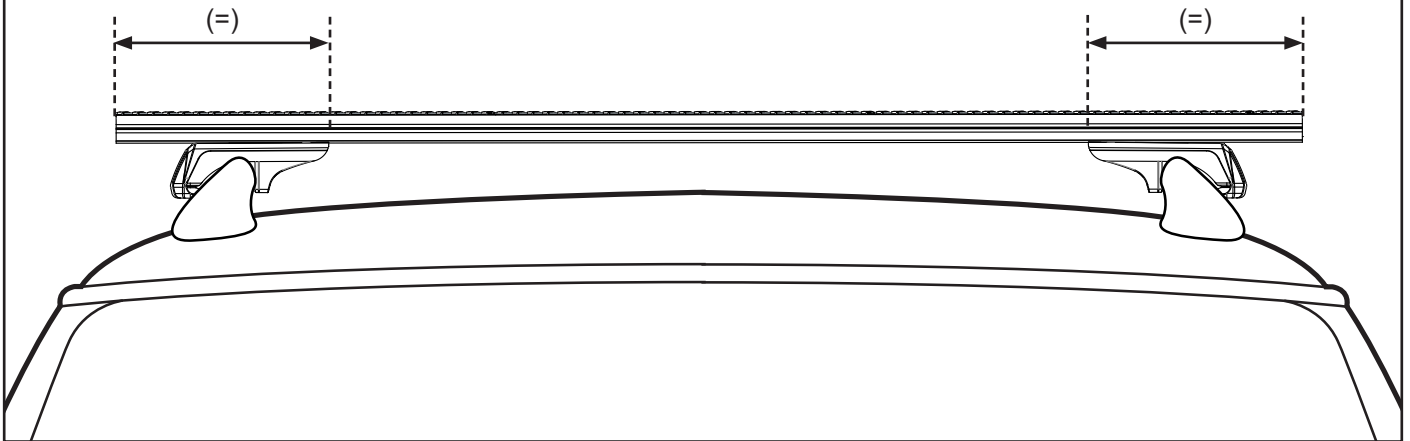




SX100

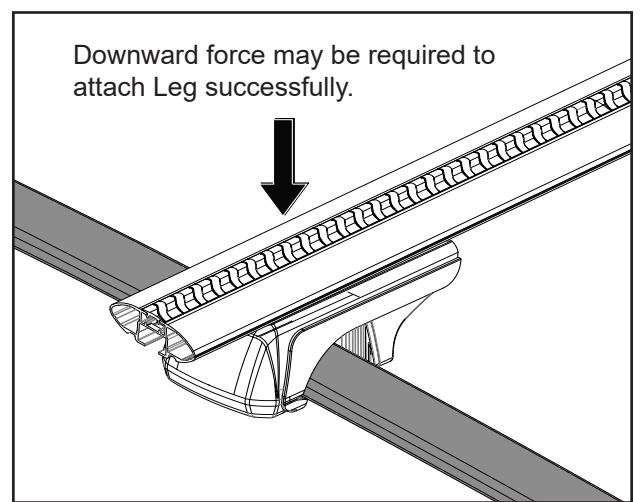
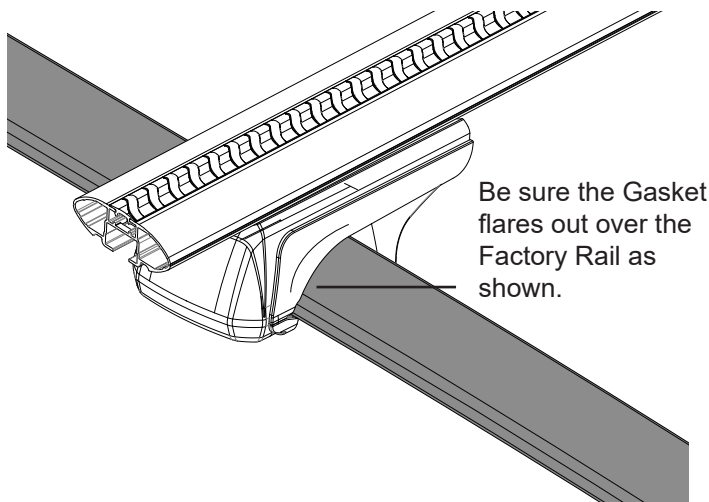
6

Set an equal overhang on the Crossbars.



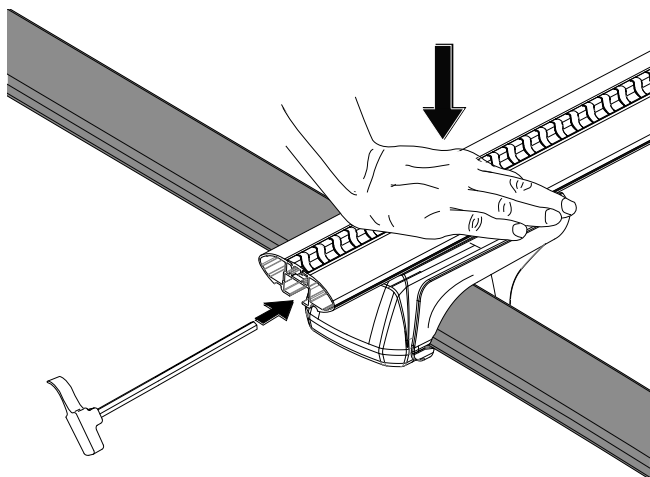
7

Check Gasket is flared out and not tucked under prior to tightening. **Note:** The Gasket will create a seal with the Roof Rail when pressure is applied.

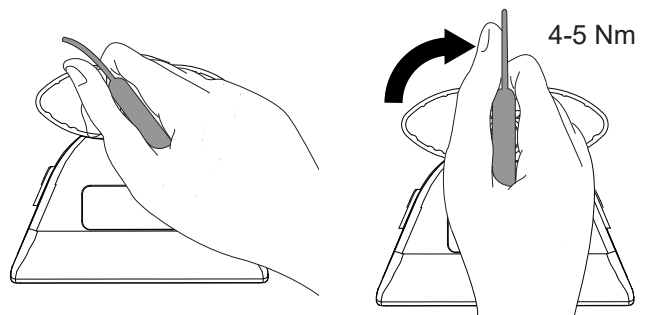


8

Fasten each Leg alternately using the Allen Key provided to 4-5Nm. Downward force may be required on top of the Crossbar Leg as shown.



With Torque Key inserted, turn clockwise until handle straightens as below. This indicates 4-5 Nm. More pressure may be required in extreme climates.

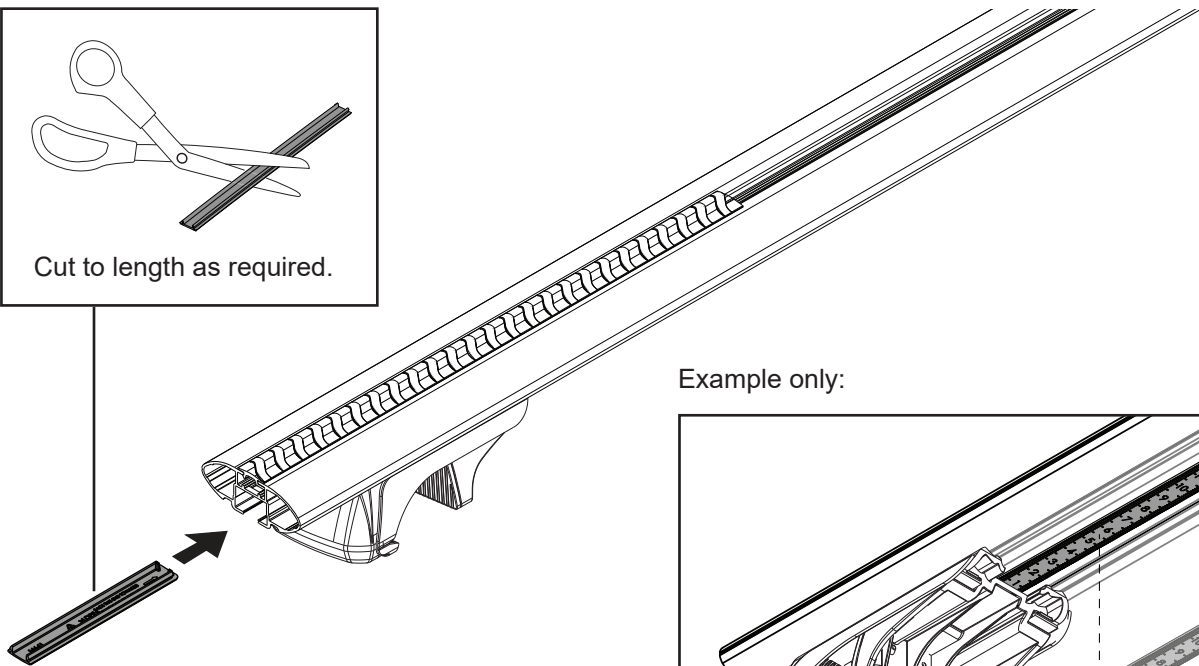
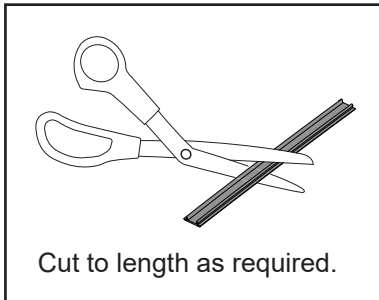




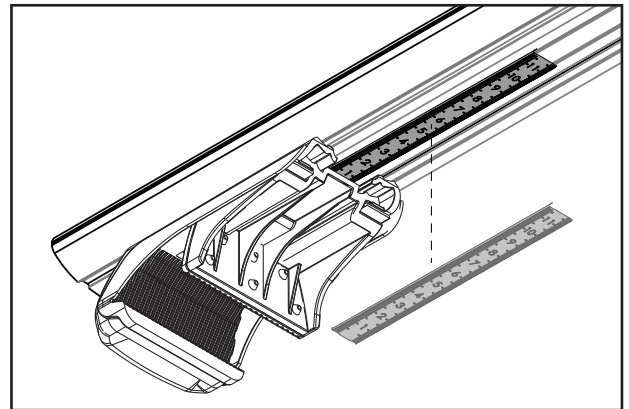
SX100

9

Measure the slots on either side of the installed Leg Assembly. Cut the Underbar Strips to size and fit to the slots.

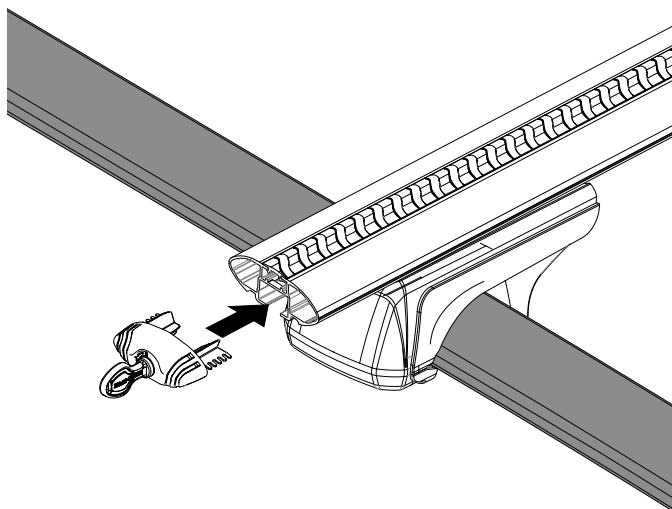


Example only:



10

Insert End Cap. Lock with Key provided and remove the Key.



11

Check all fixtures are secure before use.

