

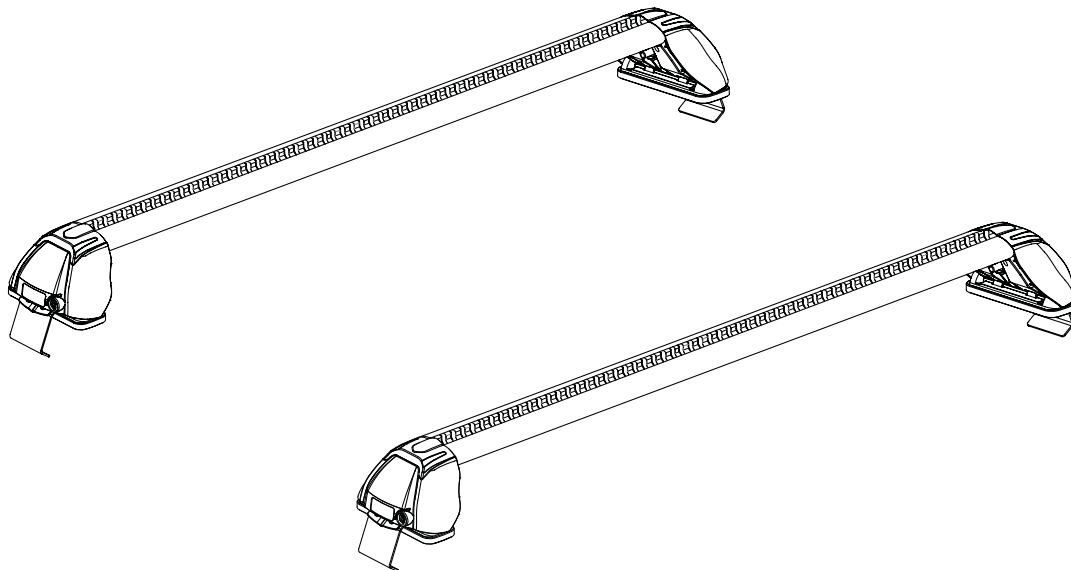


CONTROLLED

RHINO-RACK

2500 RS Rhino Vortex - Two Bar System.

- Important:**
- 1. Please refer to your fitting instruction to ensure that the roof racks are installed in the correct locations.
 - 2. Check the contents of kit before commencing fitment and report any discrepancies.
 - 3. Place these instructions in the vehicle's glove box after installation is complete.
 - 4. This kit also requires the DK fitting instructions
 - 5. These instructions must be followed for warranty to be upheld.



Maximum carrying capacity: 75kg (165lbs) evenly distributed over crossbars. Please refer to your vehicle manufacturers handbook and DK Specification sheet for maximum roof loading. Always use the lower of the two figures.

Advisory:

It is essential that all bolt connections be checked after 48hrs from when you first install your crossbars. Bolt connections should be checked again at regular intervals (once a week is enough, depending on road conditions, usage, loads and distances travelled). You should also check the crossbars each time they are refitted. Make sure to fasten your load securely (see page 2 for advisory diagrams). Please ensure that all loads are evenly distributed and that the centre of gravity is kept as low as possible.

Use only non-stretch fastening ropes or straps.

Load Ratings

When these roof racks are to be used on a vehicle that is driven off sealed roads, the manufacturer maximum roof load rating (to be found in the vehicle's User Manual) should be divided by a safety factor of **2**. For example, if the vehicle's maximum roof load rating is 75kgs\165lbs, these racks, when fitted to this vehicle should have no more than 37.5kgs/82lbs loaded on them.

Caution:

The handling characteristics of the vehicle changes when you transport a load on the roof. For safety reasons we recommend you exercise extreme care when transporting wind-resistant loads. Special consideration must be taken into account when cornering and braking. **Please remove crossbars when putting vehicle through an automatic car wash.**

Note for Dealers and Fitters: It is your responsibility to ensure instructions are given to the end user or client.

Rhino-Rack
3 Pike Street, Rydalmere,
NSW 2116, Australia.
(Ph) (02) 9638 4744
(Fax) (02) 9638 4822

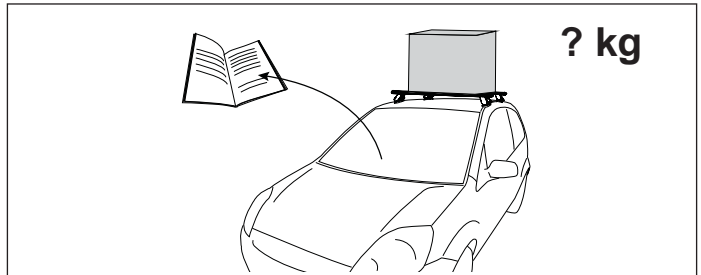
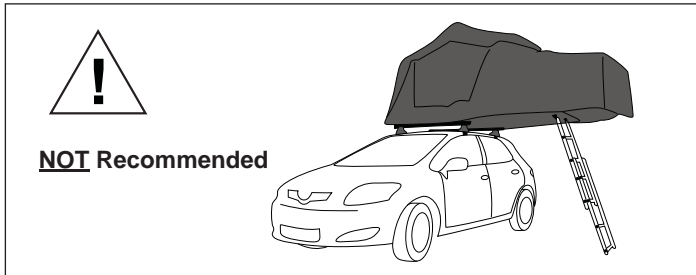
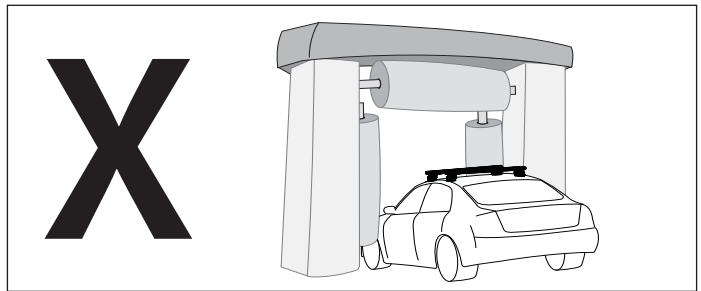
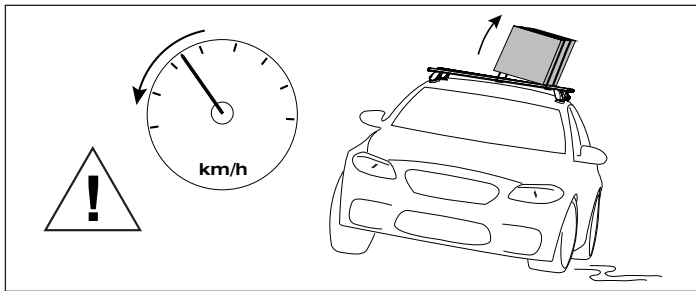
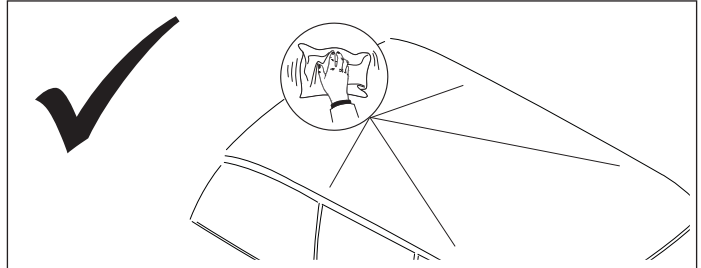
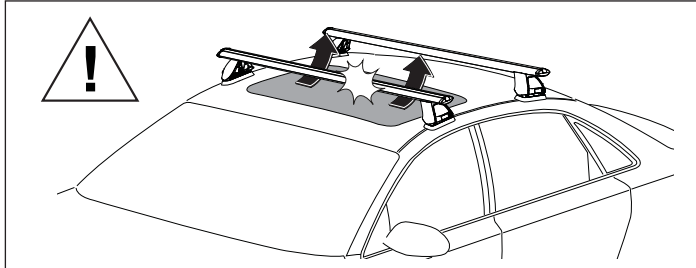
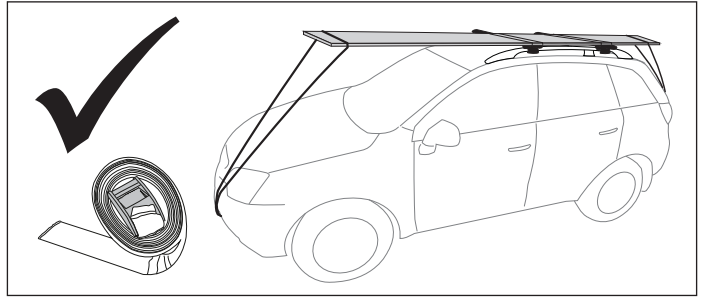
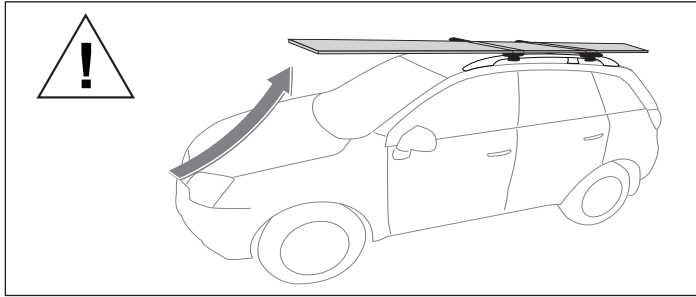
Document No: RS-366
Prepared By: Kayle Everett
Authorised By: Chris Murty

Fit Time: 30min
Issue No: 08
Issue Date: 02/02/2017

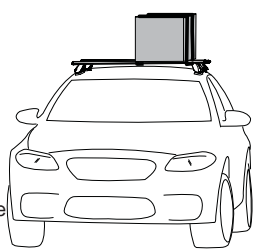
These instructions remain the property of Rhino-Rack Australia Pty. Ltd. and may not be used or changed for any other purpose than intended.



2500 RS Rhino Vortex - Two Bar System.

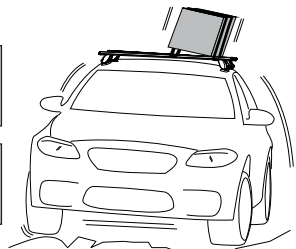


When these roof racks are to be used on a vehicle that is driven off sealed roads, the manufacturer maximum roof load rating (to be found in the vehicles User Manual) should be **divided by 2**. Do not forget to subtract 5kg/11lbs from your maximum carrying capacity due to the weight of the crossbars and legs.



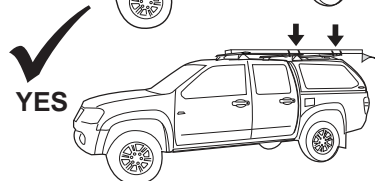
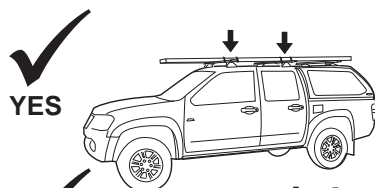
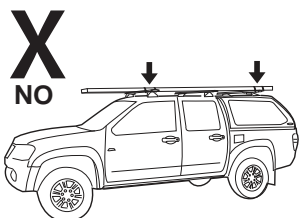
75kg load rating (Urban road) = **37.5kg load rating** (Off road = 70kg / 2)

165lbs load rating (Urban road) = **82lbs load rating** (Off road = 165lbs / 2)

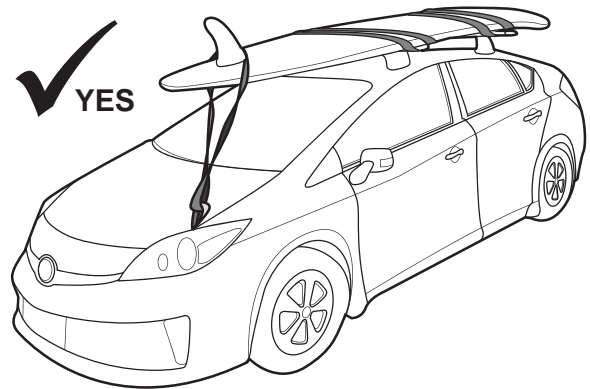


WARNING! Important Load Carrying Instructions

With utility vehicles, the cabin and the canopy move independently. Roofracks and vehicle can be damaged if the item transported is rigidly fixed at points on both the cabin and canopy. Instead, rigidly fix to either the cabin roofracks or the canopy roofracks.



Paddle/ Surfboards should be fixed to the front of the vehicle.



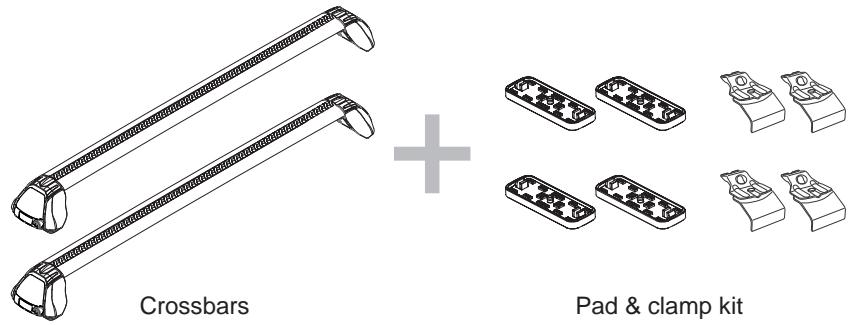


2500 RS Rhino Vortex - Two Bar System.

Tools Required:

Security allen key (provided in kit).

Note: 2500 RS Kits will come semi completed, it is however advised to double check components are correct before attempting to fit to vehicle. Reference the DK Installation Sheet provided.

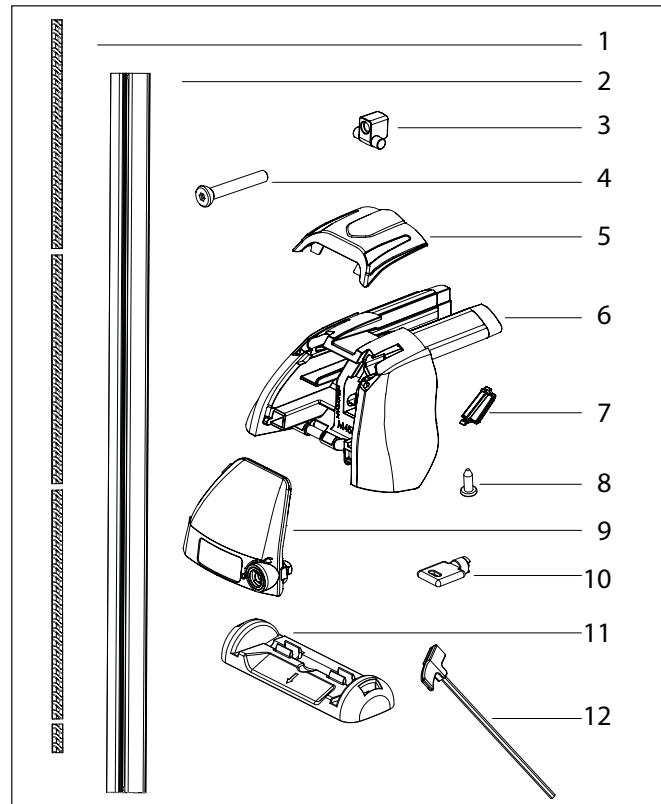


Crossbars

Pad & clamp kit

Parts List

Item	Component Name	Qty	Part No.
1	Vortex Buffer Strip Front / Rear	6-8	M626
2	Sportz Crossbar Front / Rear	2	A155
3	M8 Pivot Nut	4	N047
4	M8 x 40mm Security Bolt	4	B177
5	2500 Cover Plate	4	M456
6	2500 Sportz Leg	4	M455
7	Leg Cover Plate	4	M324
8	10G x 1/2" Pan Head Phillips Screw	4	B045
9	Leg Locking Cover	4	M312
10	Leg Locking Cover Key	1	M314
11	SL2500 Leg Base	4	M311
12	Torque Allen Key	1	TORKEY-L
13	Fitting Instruction	1	RS-366

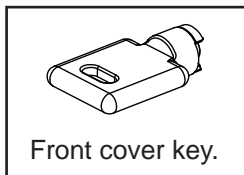


Tools Required:

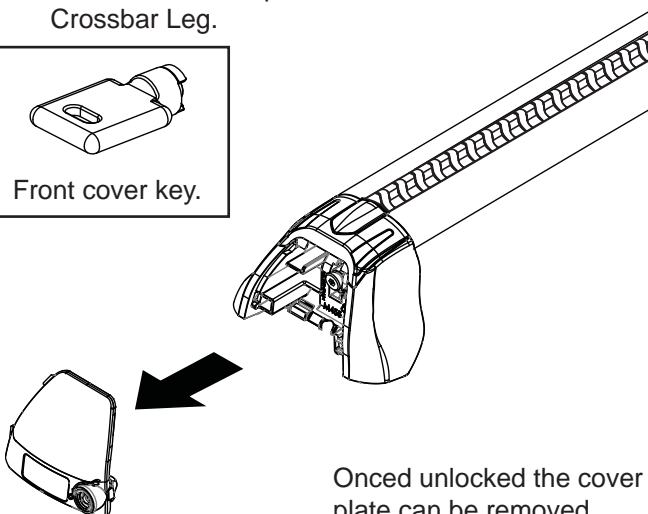
Security Allen Key, provided in kit. Tape Measure.

NOTE : Refer to the DK kit specification sheet for correct placement (*Front & Rear, Left & Right*) of the foot plate, rubber pad and metal strap.

- Using the key provided in your kit, unlock and remove the cover plate on the front of the Crossbar Leg.

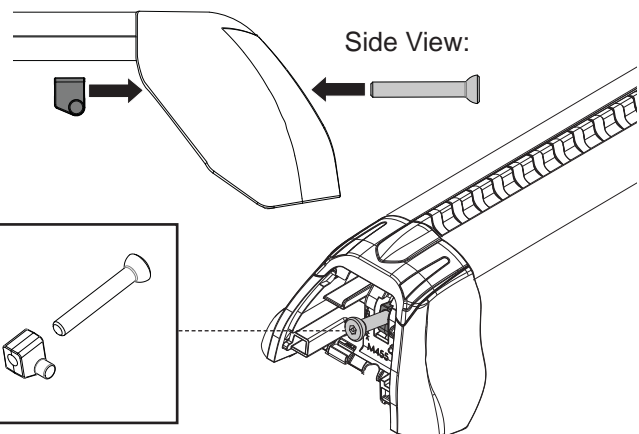


Front cover key.



Once unlocked the cover plate can be removed.

- The 2500 Sportz Legs will come with hardware assembled, however if the Pivot Nut is not attached to the leg, install as shown with the angled face of the nut facing outwards (as below).





2500 RS Rhino Vortex - Two Bar System.

Note: Check the underside of both crossbars to determine the front and rear assembly. This is important as front and rear bars may vary in length. Refer to www.rhinorack.com/fit-my-car/select-vehicle if required.

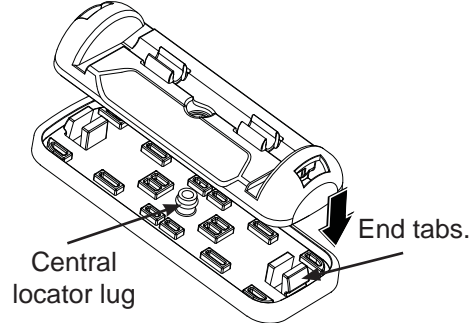
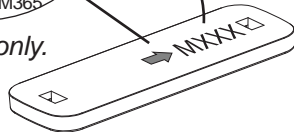
3 Attach pad to foot plate.

Clip rubber pad onto foot plate. Pad central locator lug and end tabs must fully locate into the foot plate. Refer to *DK Kit Specification Sheet* for correct orientation under pad/clamp numbers.

DK spec sheet.

Foot plate arrow direction	Rear Right Pad/ Clamp	Rear Left Pad/ Clamp	Measurement per
OUT	M365 114490	M365 114490	187
Arrow FORWARD	M365	M365	

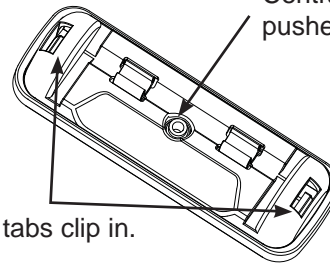
example only.



Central locator lug

End tabs.

Central locator lug pushes through.



End tabs clip in.

Attach foot plate to leg.

With the pad correctly fitted to the foot plate as per the DK spec sheet, clip the foot plate onto the base of the leg with the arrow facing **In or Out** according to your vehicle listed in the DK Kit specification sheet.

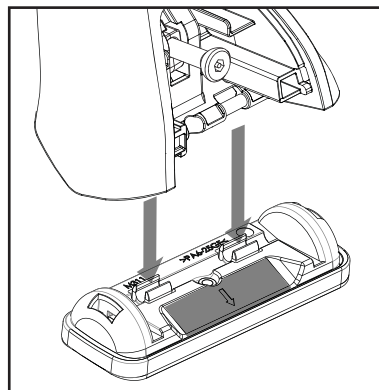
DK spec sheet.

Foot plate arrow direction	Rear Right Pad/ Clamp	Rear Left Pad/ Clamp	Measurement per
OUT	M365 114490	M365 114490	187
Arrow FORWARD	M365	M365	

example only.

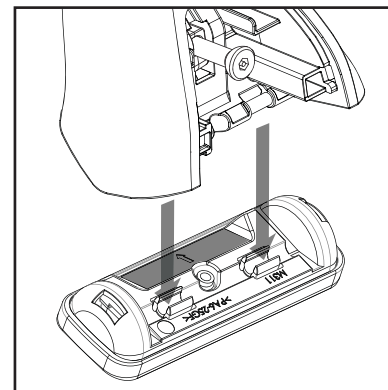
Example:

Attach foot plate to leg with arrow facing OUT

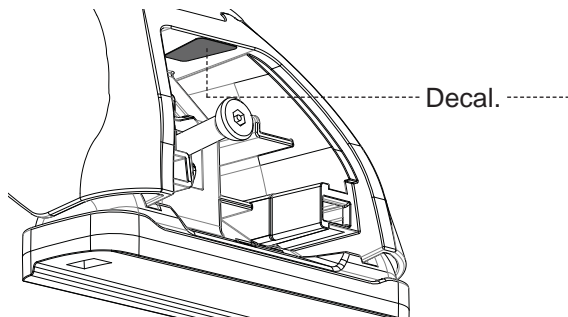


Example:

Attach foot plate to leg with arrow facing IN.
Note: Facing IN is for a small number of vehicles.



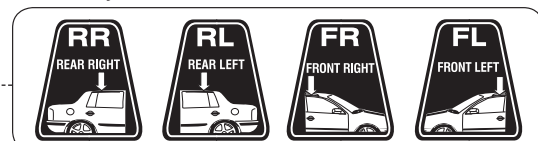
4



Decal.

Leg location decals:

Stick the leg position labels inside the leg. The labels identify the position of the leg on the vehicle roof. Use as a guide when re-fitting the crossbars after removal. Refer layout below.





2500 RS Rhino Vortex - Two Bar System.

5 Position roof racks:

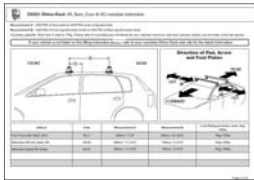
Place racks onto the vehicle roof.

Refer to DK specification sheet for correct positioning of your roof racks.

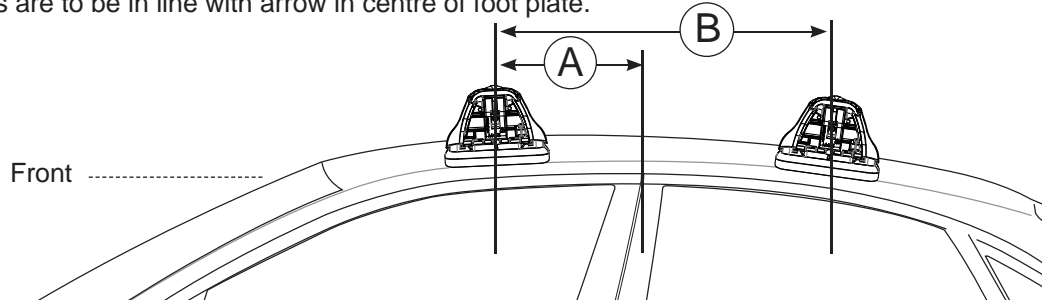
A. Measure forward from where the front and rear doors meet/close.

B. Measure back to set distance between crossbars, centre of front foot plate arrow to centre of rear foot plate arrow.

A and B measurements are to be in line with arrow in centre of foot plate.

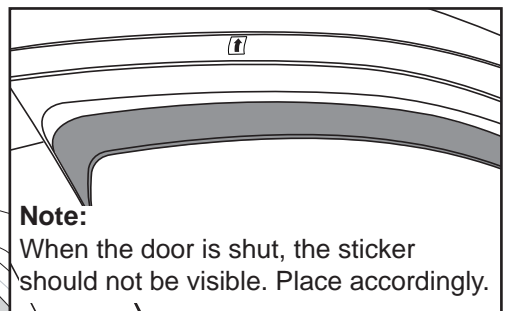
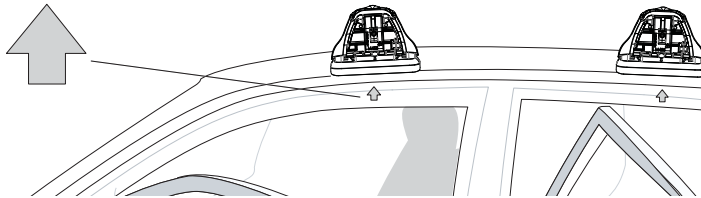


DK spec sheet.



6 Positioning decals:

Stick the white arrow decals in line with foot plate arrows onto the body work inside the door jamb. This marks reference points for future use when racks are removed and then replaced.



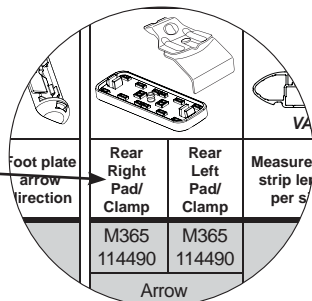
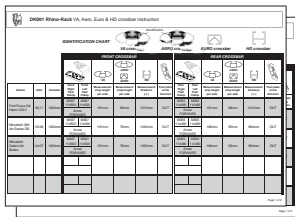
Note:

When the door is shut, the sticker should not be visible. Place accordingly.

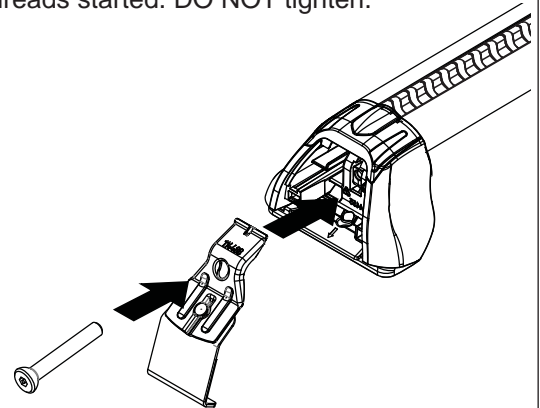
7 Attach metal clamp:

Remove the M8 security bolt from the Crossbar Assembly. Check metal clamp positions on the DK specification sheet. Insert the M8 security bolt through the front of the clamp. Screw the bolt into the pivot nut. The bolt only needs to enter the pivot nut far enough to get a few threads started. **DO NOT** tighten.

DK spec sheet.

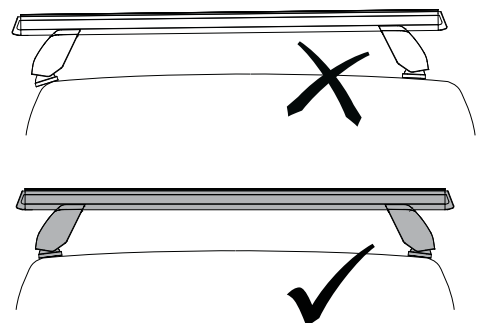
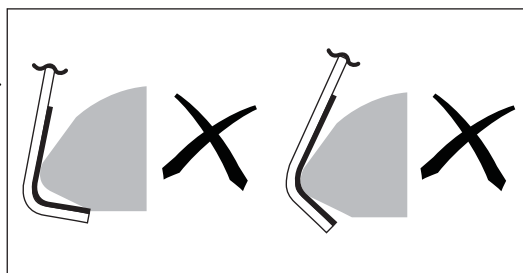
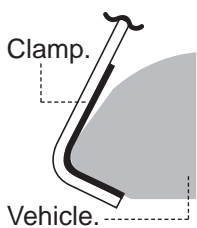


example only.



8 Visually inspect and ensure that the clamp is correctly seated against the body of the vehicle.

Side View: The clamp must have full contact along its face.



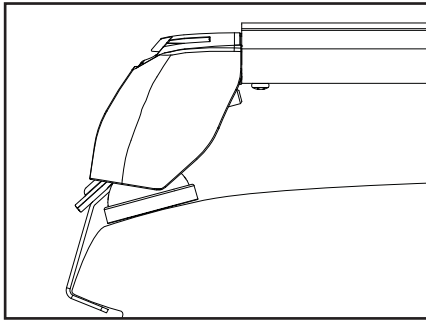


2500 RS Rhino Vortex - Two Bar System.

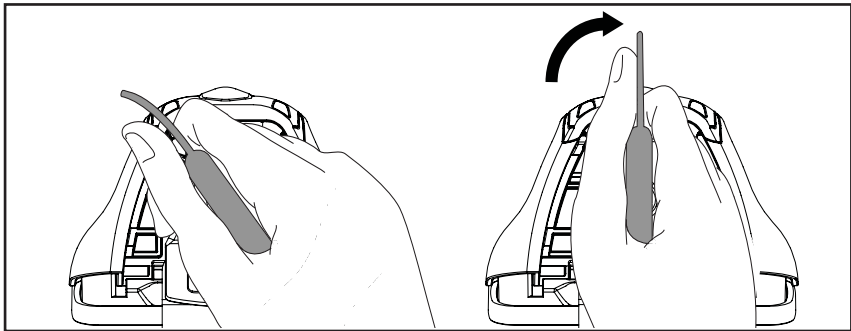
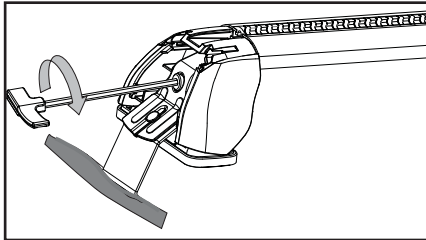
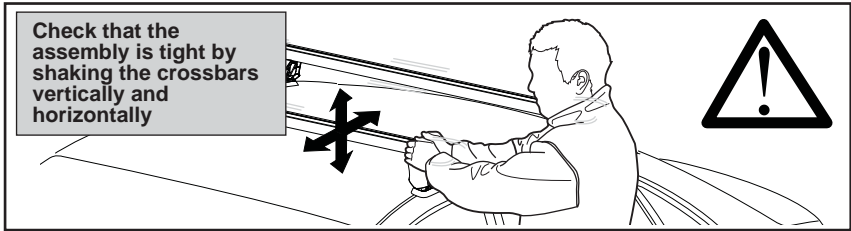
9

Attach clamps:

Hook the lower part of the metal clamp in at the top of the door jamb. Fasten M8 bolt to pivot nut. **Bolts must be tensioned evenly each side of the vehicle to avoid pulling the rack to one side. Tighten to 4-5 Nm (35-44 lbf.in). DO NOT OVER TIGHTEN.**



Check that the assembly is tight by shaking the crossbars vertically and horizontally

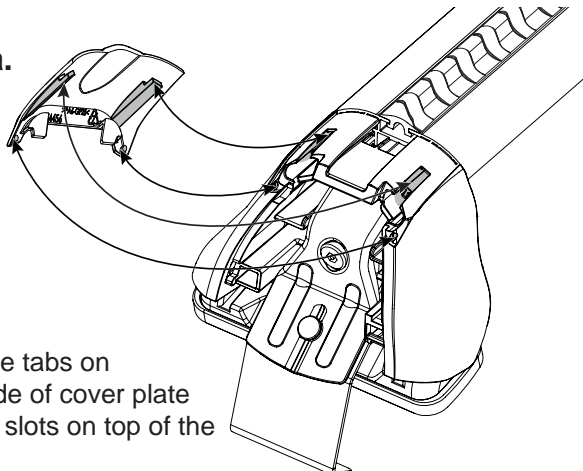


10

Attach cover plate.

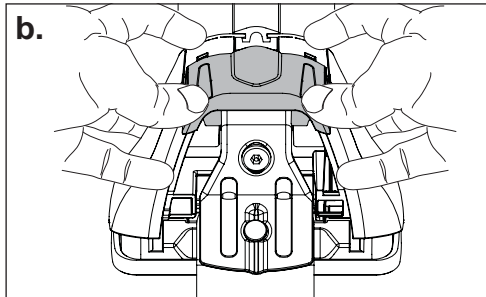
Slide the Plate carefully into place. **(b)** Put pressure on rear of cover plate with thumbs to properly locate the small tabs.

a.



a. Locate tabs on underside of cover plate with the slots on top of the leg.

b.

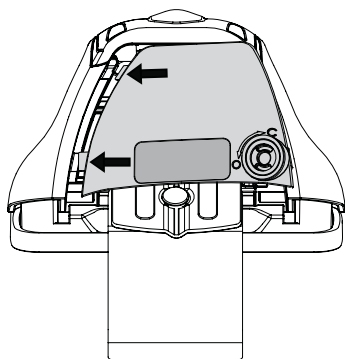
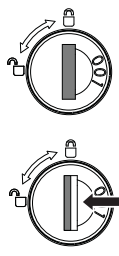


11

Front cover key

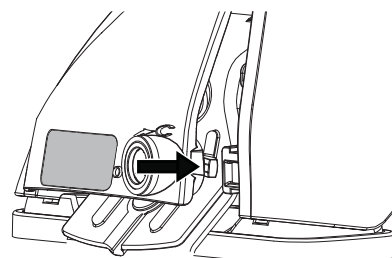


Locks use a slide window. The cover moves across the face of the barrel.



12

Insert the two lugs on left side of front cover into the leg. Use key provided to turn lock barrel to the open position **(O)**. Engage locking tab into leg. Turn to close **(C)**.



Open.



Closed.

