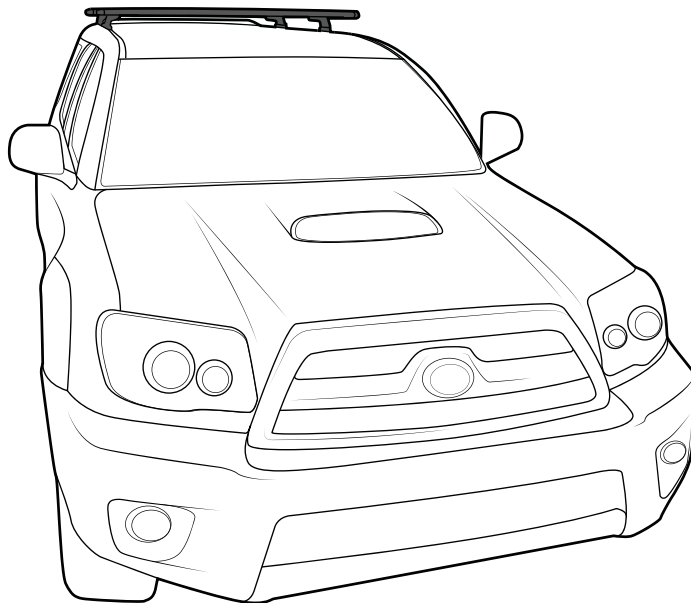




RHINO-RACK

Toyota 4Runner Track Mount Kit (RTS545)

Important: Please read these instructions carefully prior to installation. Please refer to your fitting instruction to ensure that the Roof Rack System is installed in the correct location. Check the contents of kit before commencing fitment and report any discrepancies. Place these instructions in the vehicle's glove box after installation is complete.



Maximum load carrying capacity: 100kg / 220lbs

Important Information

1. Check Part No./Kit is correct 3. Fit roof rack accessory
2. Read through instruction before installing 4. Check and recheck all fasteners are secure

Maximum carrying capacity: 100kg (220lbs) including the weight of the rack system.

Please refer to your vehicle manufacturers handbook for maximum carrying capacity. Always use the lower of the two figures. Load must be evenly distributed over the entire basket.

Warning: Do not attempt to fit the rack system to your vehicle unless you fully understand these fitting instructions. Please direct any questions regarding fitting to the dealer from where the roof racks were purchased.

Use only non-stretch fastening ropes or straps.

Recommendations: It is essential that all bolt connections be checked after driving a short distance when you first install your roof racks. Bolt connections should be checked again at regular intervals (once a week is enough, depending on road conditions, usage, loads and distances travelled). You should also check the roof racks each time they are re-fitted. Always make sure to fasten your load securely. Please also ensure that all loads are evenly distributed and that the centre of gravity is kept as low as possible and must be entirely contained within the extents of the roof racks. **Rack System must be removed when putting vehicle through an automatic car wash.**

Caution: The handling characteristics of the vehicle changes when you transport a load on the roof. For safety reasons we recommend you exercise extreme care when transporting wind-resistant loads. Special consideration must be taken into account when cornering and braking.

Off-road use:

The Track Rack System may be used in off road applications, however a safety factor of 1.5 is enforced. That is, maximum permissible off road load is **67kg (147lbs)**. Although the crossbars are tested and approved to AS1235-2000/ 15011154, off-road conditions can be much more rigorous. Extreme care must be taken in off road conditions

Note for Dealers and Fitters:

It is your responsibility to ensure these fitting instructions are given to the end user or client.

Rhino-Rack 3 Pike Street, Rydalmere,

NSW 2116, Australia.

(Ph) (02) 9638 4744

(Fax) (02) 9638 4822

Document No: R1055

Prepared By: Kayle Everett

Authorised By: Chris Murty

Fit Time: 1 Hour

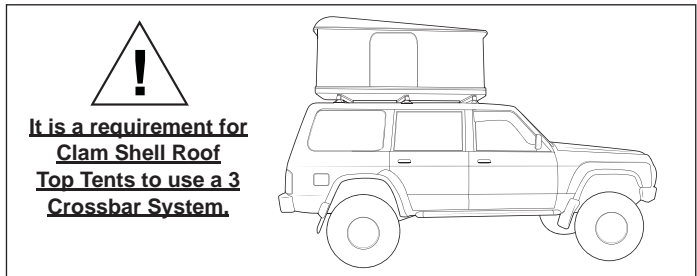
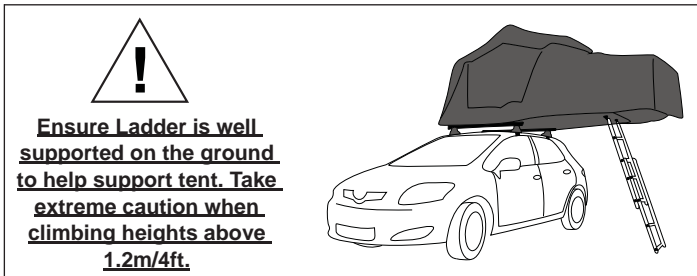
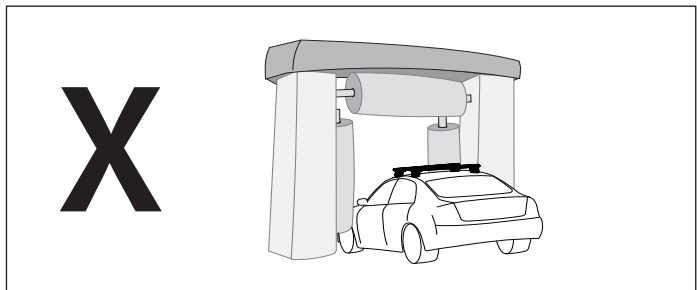
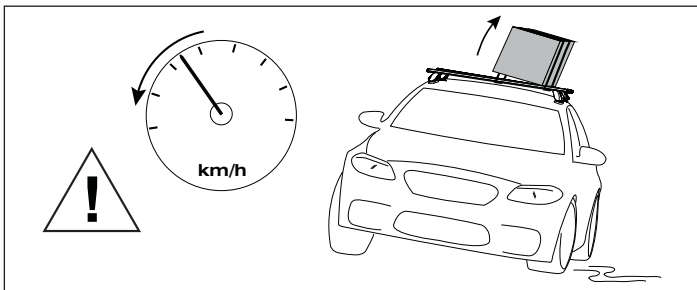
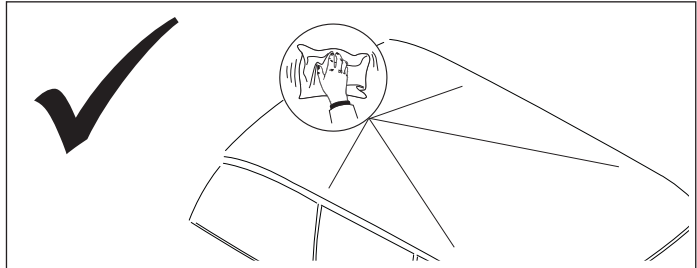
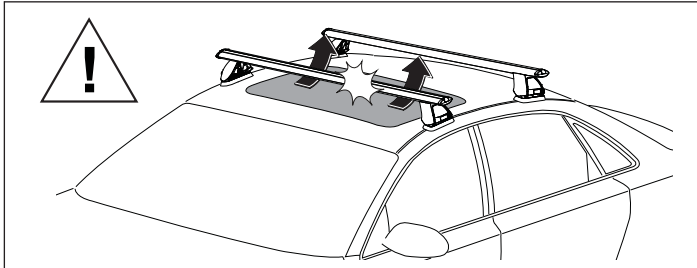
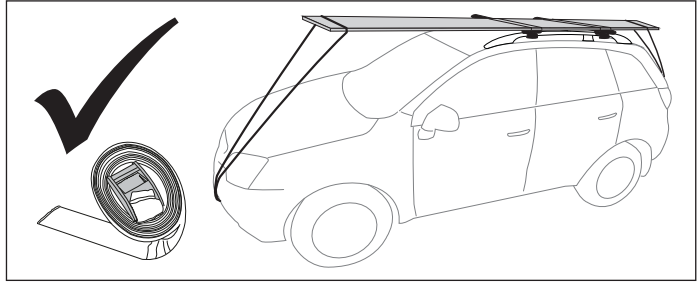
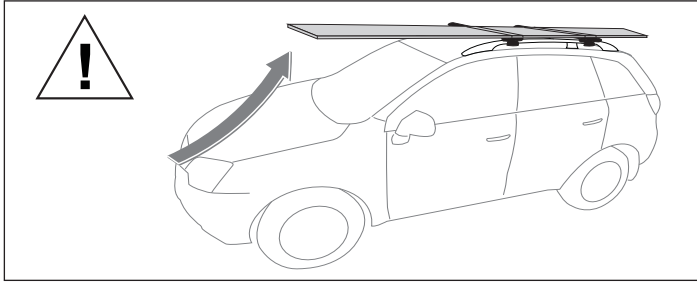
Issue No: 01

Issue Date: 20/06/2016

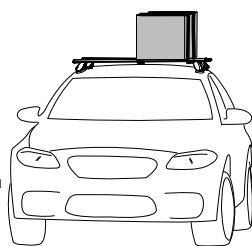
These instructions remain the property of Rhino-Rack Australia Pty. Ltd. and may not be used or changed for any other purpose than intended.



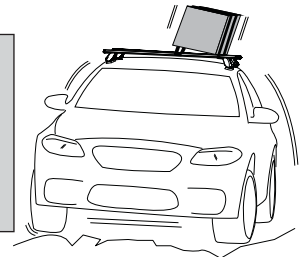
Toyota 4Runner Track Mount Kit (RTS545)



When these roof racks are to be used on a vehicle that is driven off sealed roads, the manufacturer maximum roof load rating (to be found in the vehicles User Manual) should be **divided by 1.5**. Do not forget to subtract the complete crossbar system weight from your maximum carrying capacity.

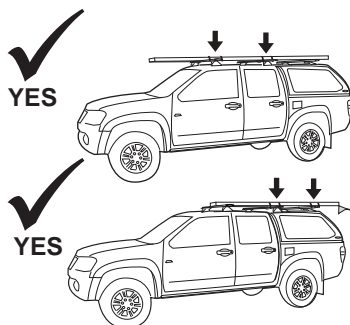
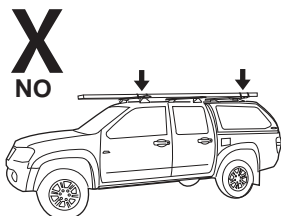


2 bars 100kg (220lbs) load rating (Urban road) = 2 bars 67kg (147lbs) load rating (Off road)
Load rating not taking into account crossbar weight - 5kg

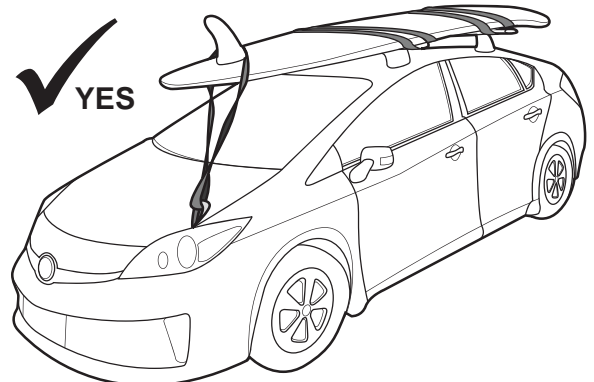


WARNING! Important Load Carrying Instructions

With utility vehicles, the cabin and the canopy move independently. Roofracks and vehicle can be damaged if the item transported is rigidly fixed at points on both the cabin and canopy. Instead, rigidly fix to either the cabin roofracks or the canopy roofracks.



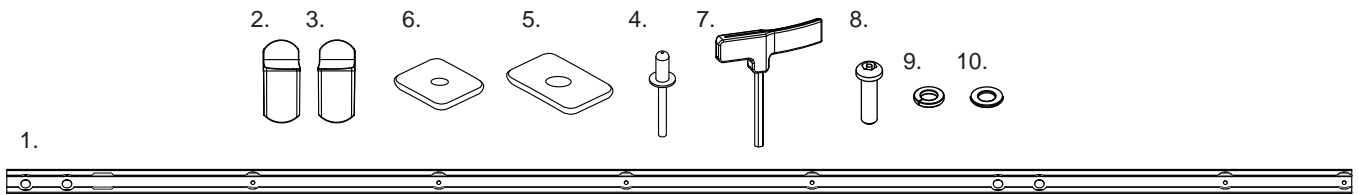
Paddle/ Surfboards should be fixed to the front of the vehicle.





Toyota 4Runner Track Mount Kit (RTS545)

Parts List



Item	RTS545 Kit	Qty	Part No.
1	Toyota 4Runner Track 1787mm	2	A790
2	End Cap FR/RL	2	M214
3	End Cap FL/RR	2	M215
4	Rivet	12	H008
5	Butyl Patch 20mmx20mm	12	CA1397
6	Butyl Patch 40mmx25mm M8 Hole	8	CA1260
7	Security Torque Key	1	TORKEY-S
8	M8 x 25mm Button Screw	8	B140
9	M8 Spring Washer	8	W019
10	M8 x 17mm Flat Washer	8	W020
11	Instructions	1	R1055

Tools Required:

- | | |
|---------------------------|---------------------------|
| 1. Measuring Tape | 5. Cold Galvanising Paint |
| 2. Drill | 6. Cotton Buds |
| 3. 5mm Drill Bit (.1969") | 7. Marker |
| 4. Drill Stop | 8. Vacuum Cleaner |
| | 9. Torx Key |

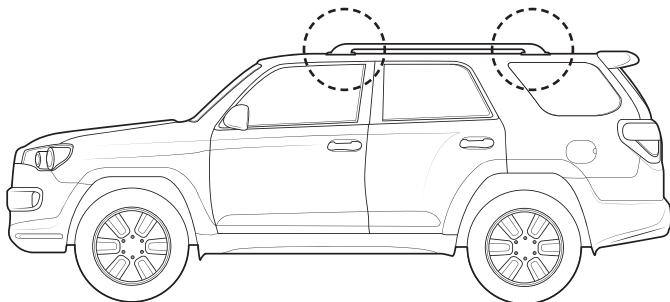
Note:

Crossbar Length: 1375mm
Leg Kit: RLT600

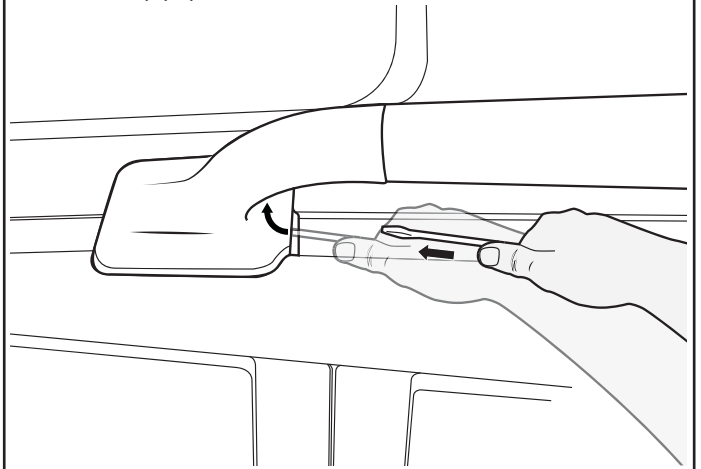
Crossbar and Leg Kits are sold as separate. Leg Spacer kits may be required for more than two crossbars.

Instructions

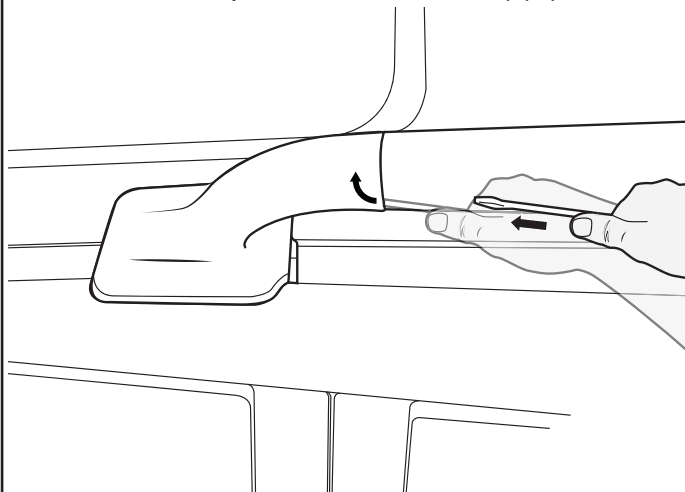
- 1** Move to the roof of the vehicle and locate the two Factory Rail End Cap.



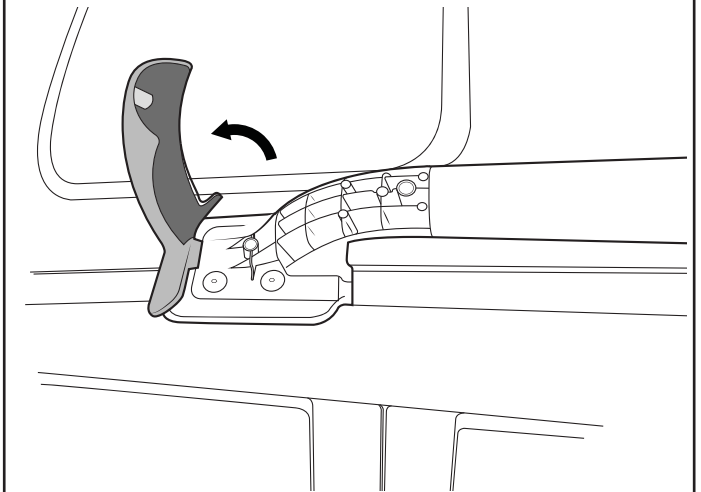
- 2** Using a Flat Blade Screw Driver or similar, slide the tool inside the rear of the End Cap. Carefully twist the Tool until the Cap pops free at the rear.



- 3** Slide the Screw Driver into the top of the End Cap as shown. Carefully twist the Tool until the Cap pops free.



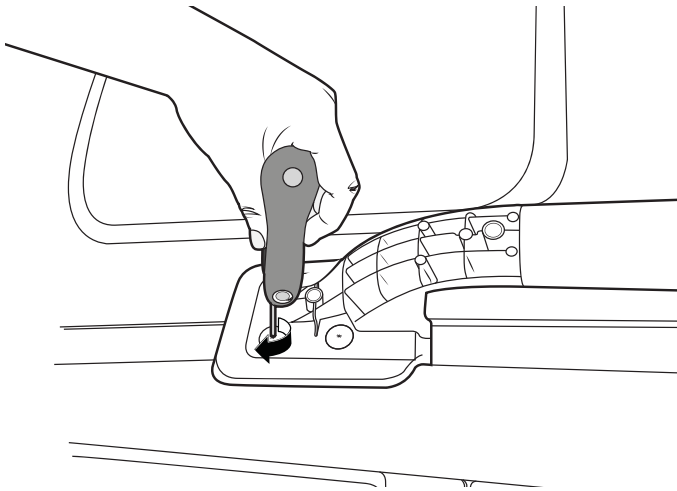
- 4** Remove the End Cap. Repeat steps 2-4 for the opposite end of the Factory Rail.



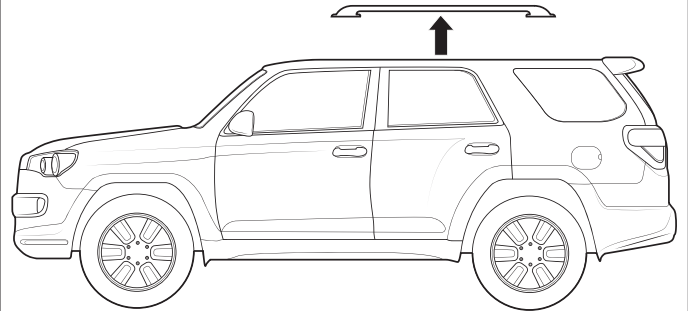


Toyota 4Runner Track Mount Kit (RTS545)

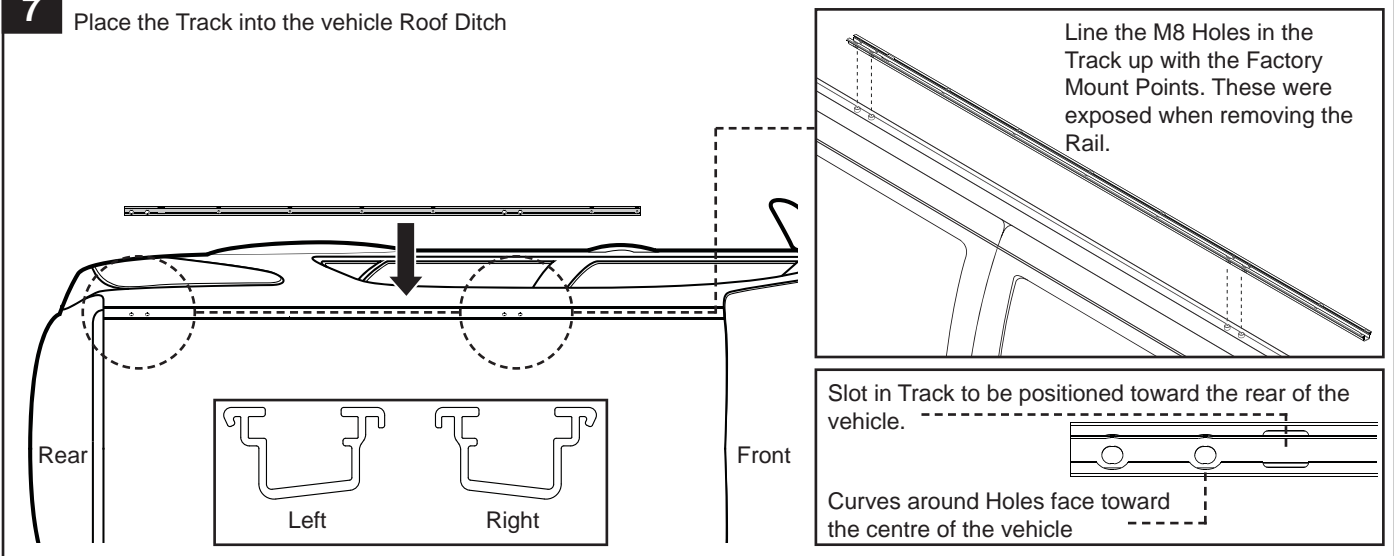
5 Use a Torx Key to remove the two Torx Screws at either end of the Rail.



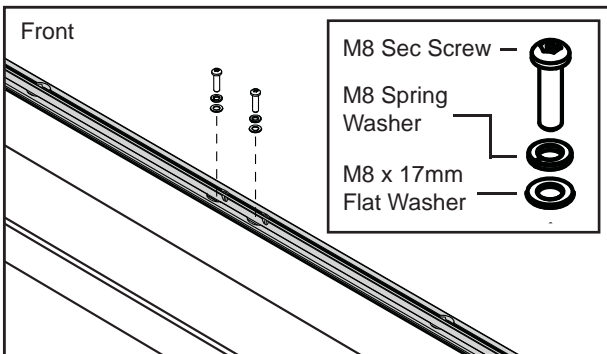
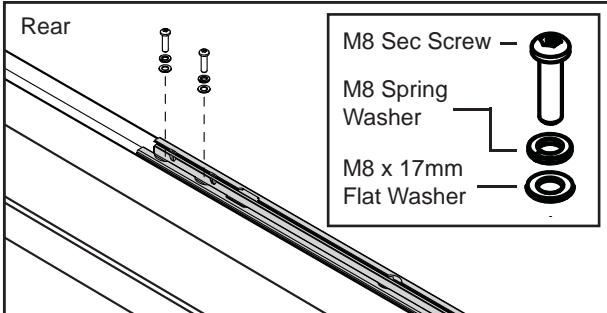
6 Remove the Rails from the Roof.



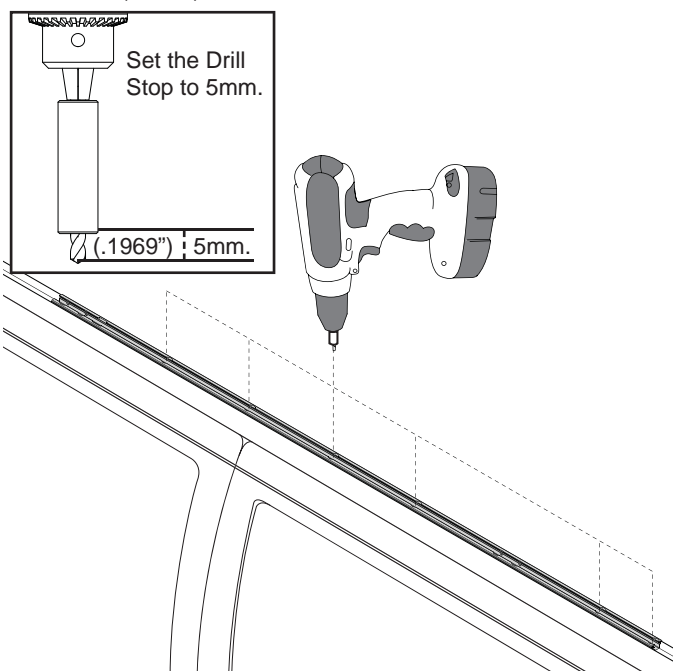
7 Place the Track into the vehicle Roof Ditch



8 Use the M8 Security Screw, M8 Spring and Flat Washers to hold the Track in place. Finger tighten at this stage.



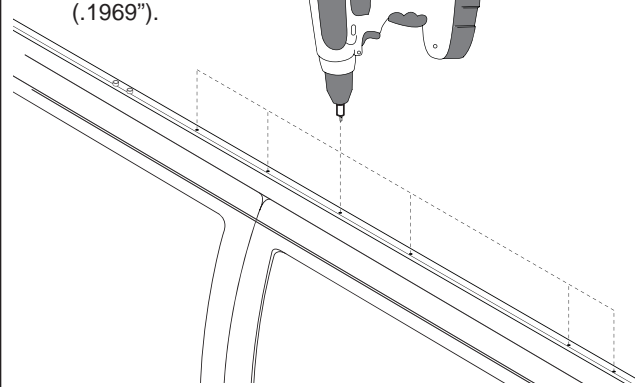
9 With the Track in place, spot drill the Rivet Holes in the Track with a 5mm (.1969") Drill bit and a Drill Stop set to 5mm (.1969").



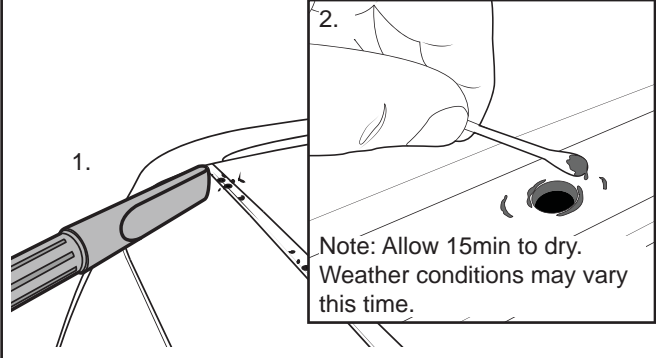


Toyota 4Runner Track Mount Kit (RTS545)

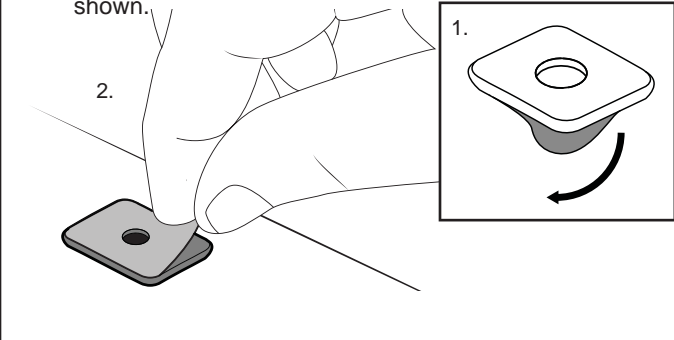
10 Remove the Track, drill the spot marks made previous with a 5mm (.1969") Drill bit and a Drill Stop set to 5mm (.1969").



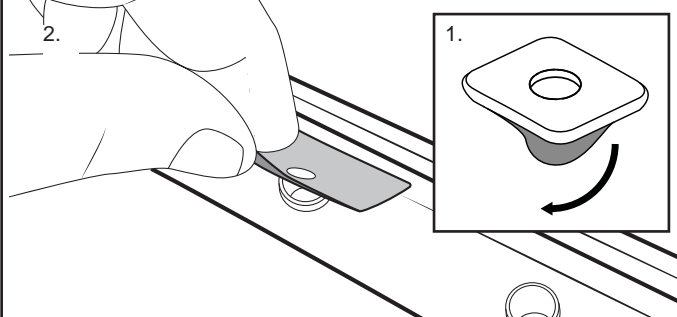
11 1: Vacuum any swarf from the area. 2: Using Cold Galvanising Paint, cover all drilled areas and any exposed body work.



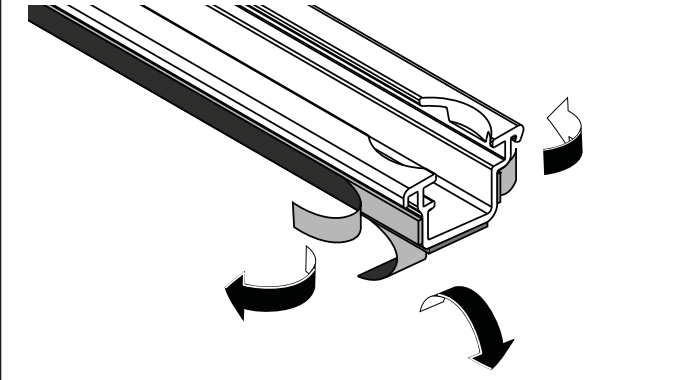
12 Peel off the one side of backing tape on the 20mm x 20mm Butyl Patches provided. Place these carefully over all holes drilled. Remove the top layer of backing tape as shown.



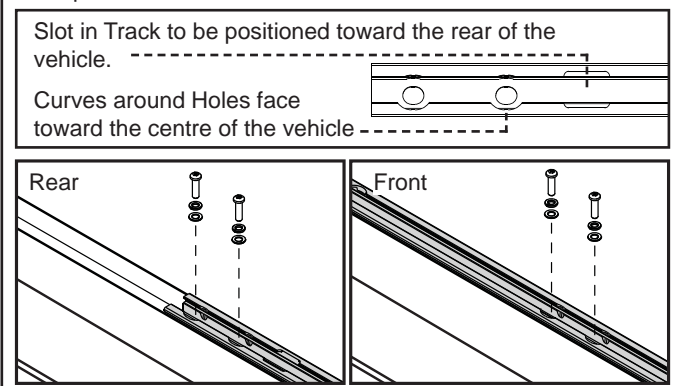
13 1: Peel off the one side of backing tape on the 40mm x 25mm Butyl Patches provided. Place these carefully over the Threaded Mount Points. Remove the top layer of backing tape as shown



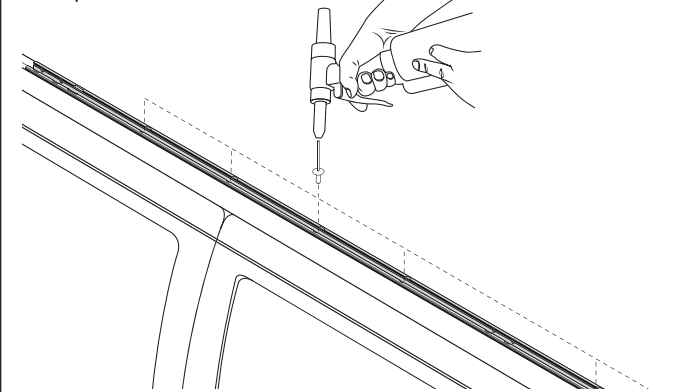
14 Remove the backing tape from Foam Strips on the Tracks.



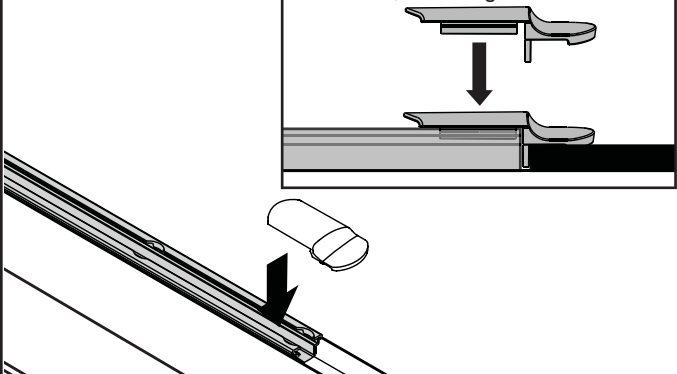
15 Place the Track into the Roof Ditch. Use the M8 Security Screw, M8 Spring and Flat Washers to hold the Track in place.



16 Rivet the Track in place. Be sure Rivets are seated correctly before depressing the Tool. Tighten with Allen Key provided to 3-4Nm.



17 Fit end caps to the installed Tracks.
Front Right, Rear Left: M214
Front Left, Rear Right: M215



Fit Crossbars as per corresponding instructions