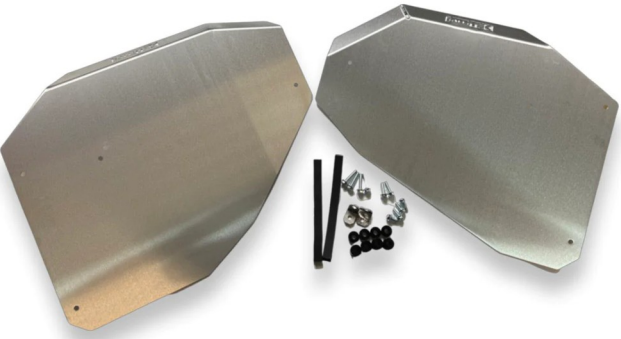




Installation Instructions

<p>RalliTEK Gas Tank Skid Plates</p>	
<p>Suggested Tools</p>	<ul style="list-style-type: none">• Metric Sockets, Wrenches, Ratchets• Screw Driver or Clip Pliers• Jack, Jack Stands, Wheel Chocks
<p>Safety Warnings</p>	<ul style="list-style-type: none">• Always support the vehicle with jack stands before working underneath• Use only the parts supplied by RalliTEK to install this kit• Check ALL the fasteners for tightness before and after road testing the vehicle• Do not use an air impact wrench with re-installing bolts as stripped threads may occur

RalliTEK Gas Tank Skid Plates

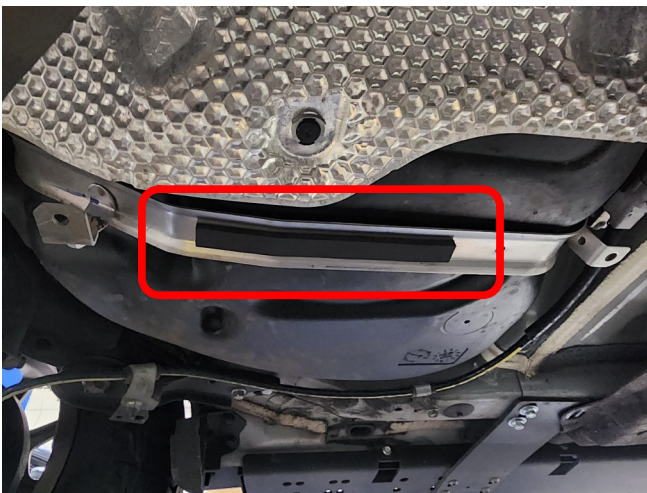
Remove Plastic Undertrays



With your palm, bend the emergency brake bracket upward as shown in photo for clearance



Clean gas tank straps and install supplied adhesive-backed foam strips as shown in pictures below

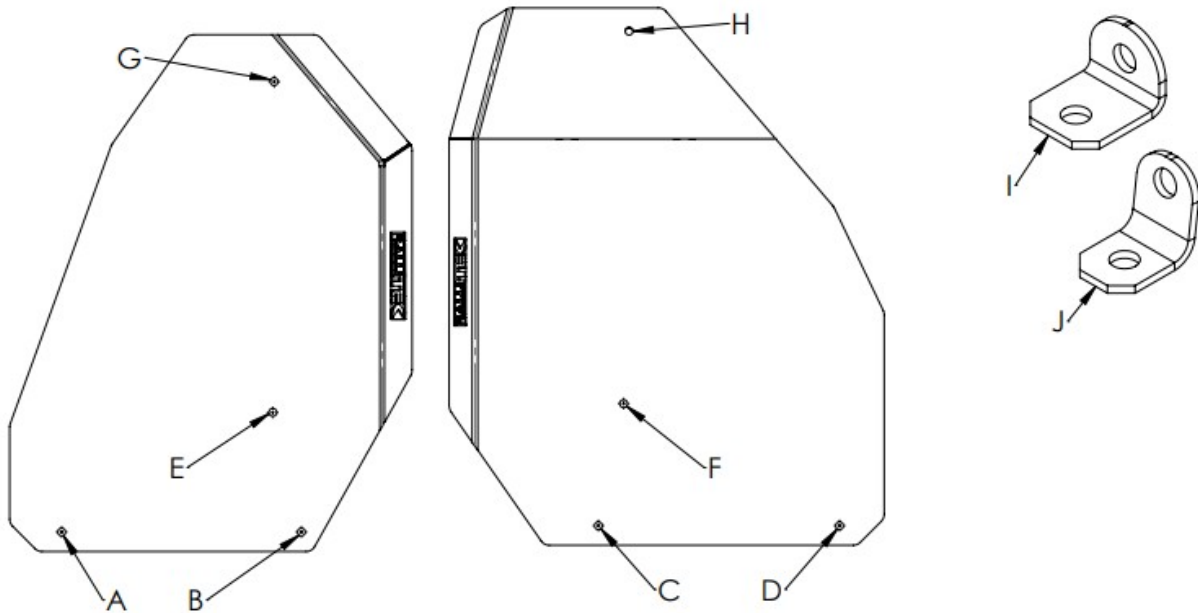


**Install hardware per chart below starting from front of vehicle (bolting A – D)
Bolting for A – D will be the same forward bolting locations for the OEM undertrays**

Install middle bolts (E & F)

Install rear brackets 45° chamfer side to skid plate (I &J)

Final tighten all hardware



Bolting Location	Hardware
A	1x20mm Spacer (10MM with RTEK Rock Sliders) + 1xM8x40mm Bolt
B	1x20mm Spacer + 1xM8x40mm Bolt
C	1x20mm Spacer + 1xM8x40mm Bolt
D	1x20mm Spacer (10MM with RTEK Rock Sliders) + 1xM8x40mm Bolt
E	1x12mm Spacer + 1xM8x30mm Bolt + M8 Nut
F	1x12mm Spacer + 1xM8x30mm Bolt + M8 Nut
G	Tab I + 2xM8x20 Bolt + 2xM8 Nut
H	Tab J + 2xM8x20 Bolt + 2xM8 Nut

WARRANTY

RalliTEK Products Lifetime Warranty

RalliTEK branded products are warranted to the original owner against manufacturing defects in materials and workmanship for the lifetime of the product.

If a RalliTEK branded product covered by this warranty fails due to a manufacturing defect, we will repair the product, without charge, or replace it at our discretion. This policy covers only original, unaltered, and unmodified materials and workmanship. This warranty does not cover damage caused by incorrect installation, accident, improper care, negligence, normal wear and tear, or the natural breakdown of colors and materials over extended time and use. Damage not covered under warranty may be repaired for a reasonable rate and a fee will be charged for return shipping.

For warranty evaluation, please contact RalliTEK Customer Service via phone **(503) 619.0055** or email support@rallitek.com to obtain a return authorization. Once this step has been completed, your product must be returned directly to the **RalliTEK Warranty Department, 13339 NE Airport Way, Suite 500, Portland, OR 97230**. All shipping to the Warranty Department must be pre-paid and insured. RalliTEK will not be liable for damaged or lost inbound packages.

NOTE:

- This warranty is only available within the United States or Canada
- This warranty does not cover products sold by RalliTEK that are not RalliTEK branded products
- This warranty gives you specific legal rights; you may have other rights, which vary from state to state

