



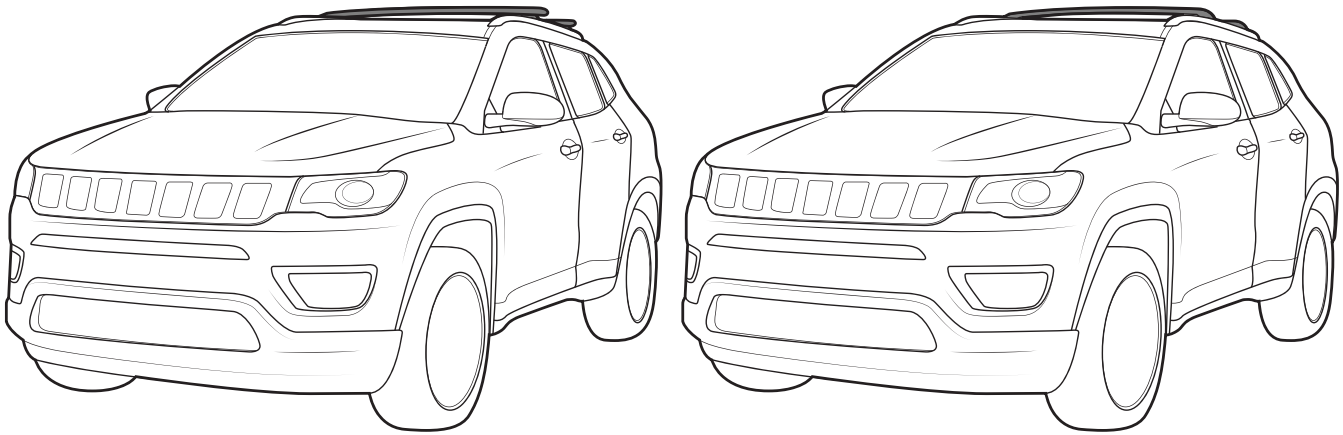
RHINO-RACK

RCP64-BK Jeep Compass 2018

- Important:**
- 1. Please refer to your fitting instruction to ensure that the roof racks are installed in the correct locations.
 - 2. Check the contents of kit before commencing fitment and report any discrepancies.
 - 3. Place these instructions in the vehicle's glove box after installation is complete.
 - 4. These instructions must be followed for warranty to be upheld.

Layout:

Note: Crossbars and legs sold as separate.



Important Information

On Road Cargo Allowance	Off Road Cargo Allowance	Roof Allowance	Rack Weight
70kg / 165lb	37.5kg / 82lbs	75kg / 165lbs	5kg / 11lb

Maximum roof load: 75kg/165lbs evenly distributed across two crossbars. Refer to vehicle owners manual for maximum roof loading. Always use lower of the two figures. Note: Be sure to check Rhino-Rack website to see if you have the latest version of instructions before beginning installation.

Torque settings

Unless stated otherwise in these instructions, all fasteners should be set to the following torque settings - M6: 4-5Nm (3-4lbs/ft), M8: 8-10Nm (6-7.5lbs/ft) and M10: 16-18Nm (12-13lbs/ft).

Recommendations:

It is essential that all bolt connections be checked after driving a short distance when you first install your crossbars. Bolt connections should be checked and lubricated at regular intervals (probably once a week is enough, depending on road conditions, usage, loads and distances travelled). You should also check the crossbars each time they are refitted. Make sure to fasten your load securely. Please ensure that all loads are evenly distributed and that the centre of gravity is kept as low as possible.

Crossbars must be removed when putting vehicle through an automatic car wash.

Use only non-stretch fastening ropes or straps.

Caution: The handling characteristics of the vehicle changes when you transport a load on the roof. For safety reasons we recommend you exercise extreme care when transporting wind-resistant loads. Special consideration must be taken into account when cornering and braking.

Off-road Load Rating:

When crossbars are to be used in off-road conditions, please use load limit for off-road use, 2 crossbars = **37.5kg 82lbs**. Although the crossbars are tested and approved to AS1235-2000, off-road conditions can be much more rigorous. However, increasing the number of crossbars does not increase the vehicles maximum permissible roof loading.

Note for Dealers and Fitters:

It is your responsibility to ensure instructions are given to the end user or client.

Rhino-Rack
3 Pike Street, Rydalmere,
NSW 2116, Australia.
(Ph) (02) 9638 4744
(Fax) (02) 9638 4822

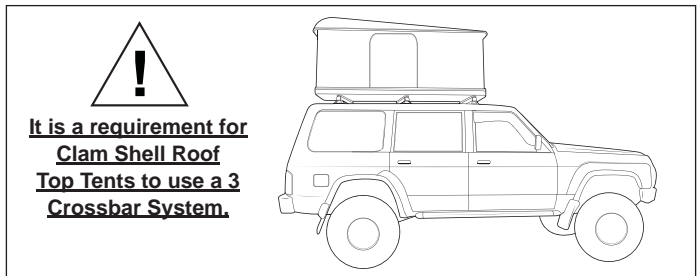
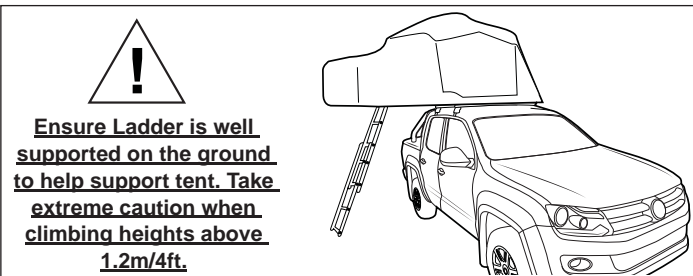
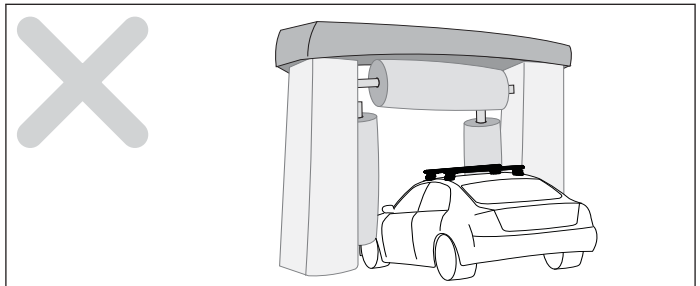
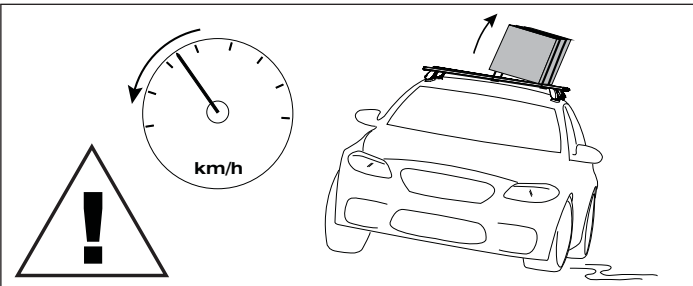
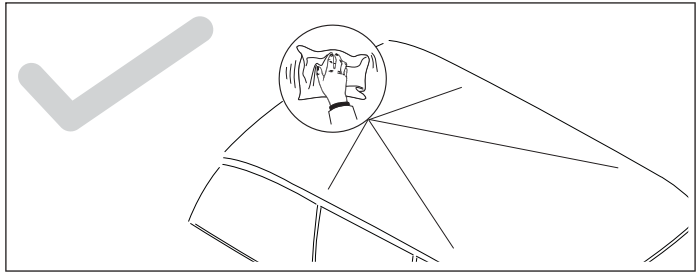
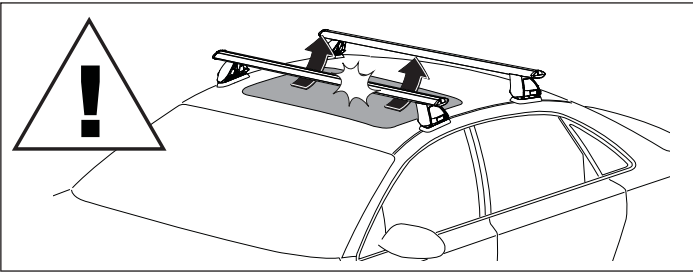
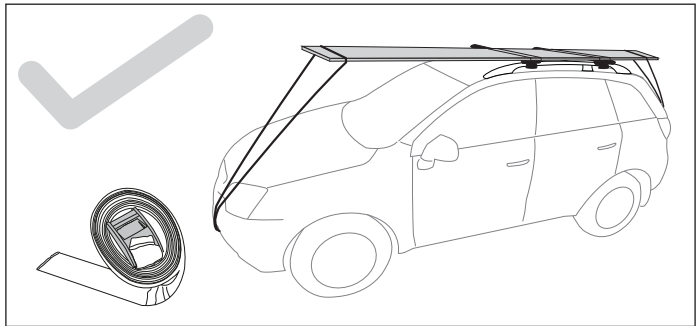
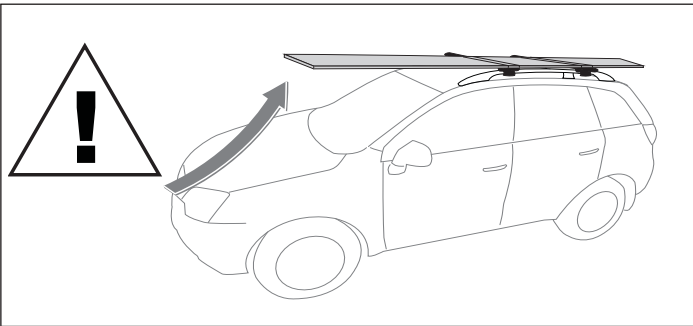
Document No: R1713
Prepared By: Kayle Everett
Authorised By: Chris Murty

Fit Time: 30min
Issue No: 01
Issue Date: 31/01/2018

These instructions remain the property of Rhino-Rack Australia Pty. Ltd. and may not be used or changed for any other purpose than intended.



RCP64-BK Jeep Compass 2018



When these roof racks are to be used on a vehicle that is driven off sealed roads, the maximum roof rack load rating allowed is 37.4kg/82lbs".

75kg/165lbs load rating (Urban road)	=	37.5kg/82lbs load rating (Off road - 75kg / 1.5)
---	---	---

WARNING! Important Load Carrying Instructions

With utility vehicles, the cabin and the canopy move independently. Roof racks and vehicle can be damaged if the item transported is rigidly fixed at points on both the cabin and canopy. Instead, rigidly fix to either the cabin roof racks or the canopy roof racks.

NO

YES

Paddle/ Surfboards should be fixed to the front of the vehicle.

YES

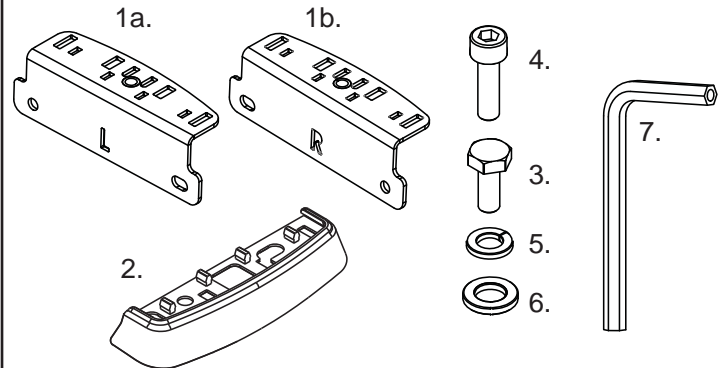


RCP64-BK Jeep Compass 2018

Parts List

Item	Components	Qty	Part No.
1a	LEFT Bracket	2	CA1829 Left
1b	RIGHT Bracket	2	CA1830 Right
2	Rubber Skirt	4	M725
3	M6 x 20 Hex Setscrew	4	B082
4	M6 x 20 Socket Screw	8	B054
5	M6 Spring Washer	12	W004
6	M6 x 16mm Flat Washer	12	W031
7	5mm Security Allen Key	1	H021
8	Fitting Instructions	1	R1713

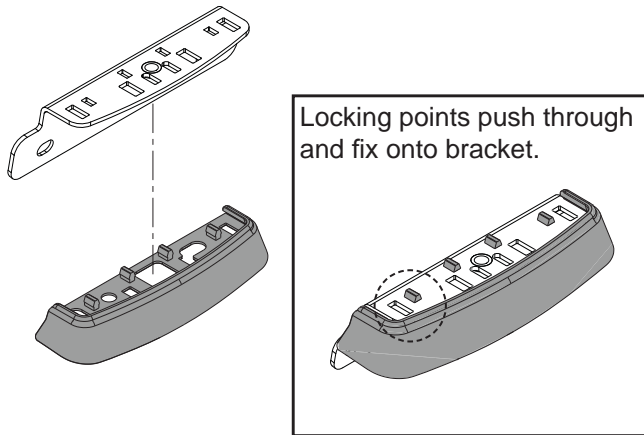
Note: Left and right brackets can be identified with "L" and "R" between mounting points. Orientation is determined standing at the rear of vehicle and facing forward.



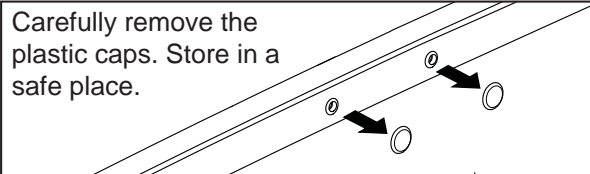
Tools Required: 5mm Security Allen Key(supplied in kit).

Instructions

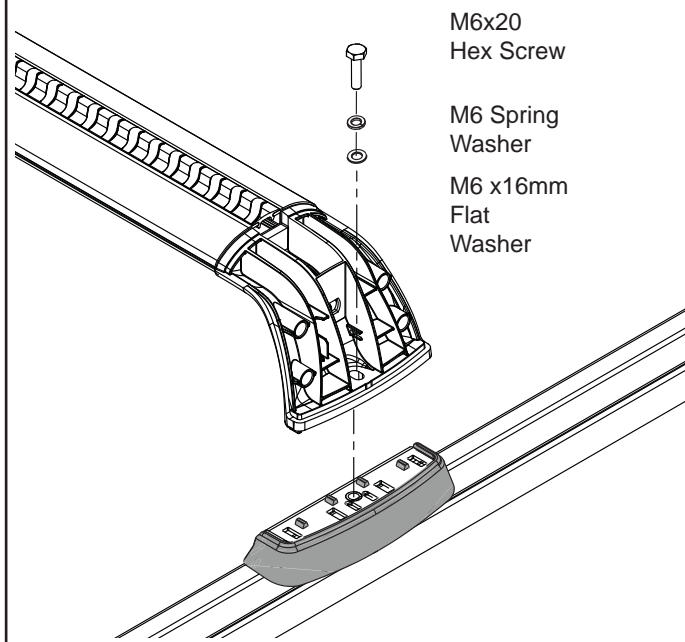
- 1** Install the mounting bracket onto the rubber skirt. Note that the four locking points on the rubber skirt push through and fix onto the bracket.



- 2** Remove rubber covers over threads on the factory rails. Fixture points are located on both rails facing inward. Install bracket assembly.



- 3** Fix the completed crossbars to the vehicle with an M6x20mm hex, M6 spring and flat washer (RVH shown as example only).



Use the mounting points shown.

