



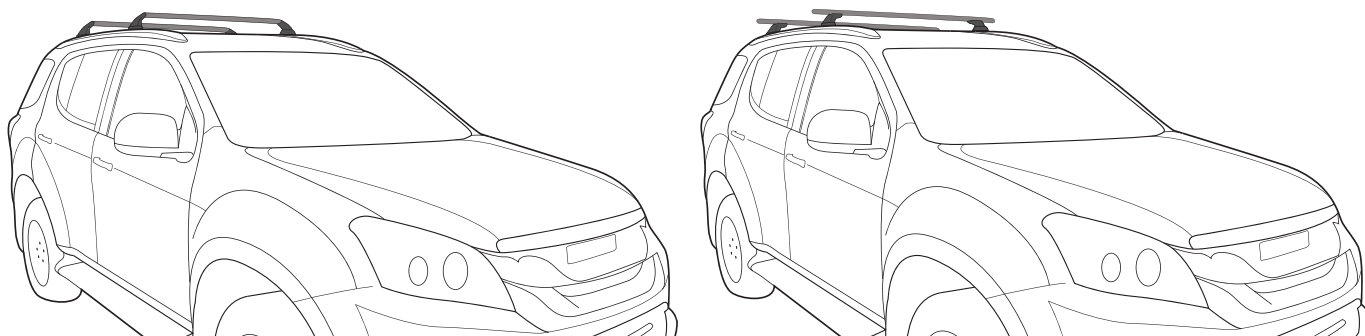
CONTROLLED

RHINO-RACK

RCP29-BK ISUZU MU-X, Subaru Outback Touring Pad Kit

Important: Please read these instructions carefully prior to installation.
Please refer to your fitting instruction to ensure that the Roof Rack System is installed in the correct location.
Check the contents of kit before commencing fitment and report any discrepancies.
Place these instructions in the vehicle's glove box after installation is complete.

Layout:



Note: Crossbars and legs sold as separate.

Important Information

1. Check Part No./Kit is correct
2. Read through instruction before installing
3. Fit roof rack accessory
4. Check and recheck all fasteners are secure

Maximum load capacity: 60kg/132lbs. Please refer to your vehicle manufacturers handbook for maximum roof load capacity, always use the lower of the two figures. **Note: Be sure to check Rhino-Rack website to see if you have the latest version of instructions before beginning installation.**

Recommendations:

It is essential that all bolt connections be checked after driving a short distance when you first install your crossbars. Bolt connections should be checked and lubricated at regular intervals (probably once a week is enough, depending on road conditions, usage, loads and distances travelled). You should also check the crossbars each time they are refitted. Make sure to fasten your load securely. Please ensure that all loads are evenly distributed and that the centre of gravity is kept as low as possible.

Crossbars must be removed when putting vehicle through an automatic car wash.

Use only non-stretch fastening ropes or straps.

Caution: The handling characteristics of the vehicle changes when you transport a load on the roof. For safety reasons we recommend you exercise extreme care when transporting wind-resistant loads. Special consideration must be taken into account when cornering and braking.

Off-road Load Rating:

When crossbars are to be used in off-road conditions, please build a safety factor of 1.5 into this load limit for off-road use, two crossbars = **40kg/88lbs**. Although the crossbars are tested and approved to AS1235-2000, off-road conditions can be much more rigorous. However, increasing the number of crossbars does not increase the vehicles maximum permissible roof loading.

Note for Dealers and Fitters:

It is your responsibility to ensure instructions are given to the end user or client.

Rhino-Rack

3 Pike Street, Rydalmere,

NSW 2116, Australia.

(Ph) (02) 9638 4744

(Fax) (02) 9638 4822

Document No: R1335

Prepared By: Kayle Everett

Authorised By: Chris Murty

Fit Time: 30min

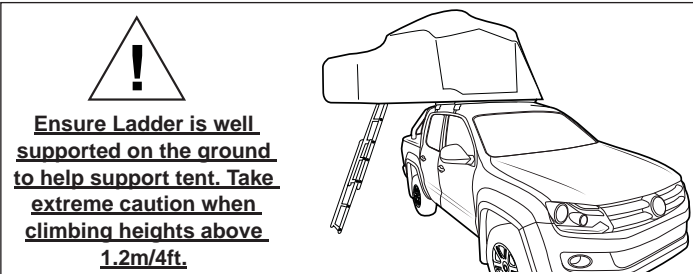
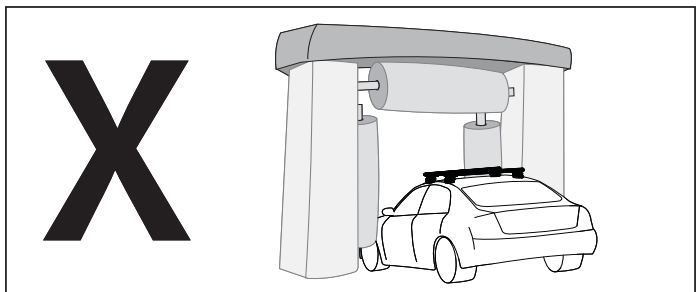
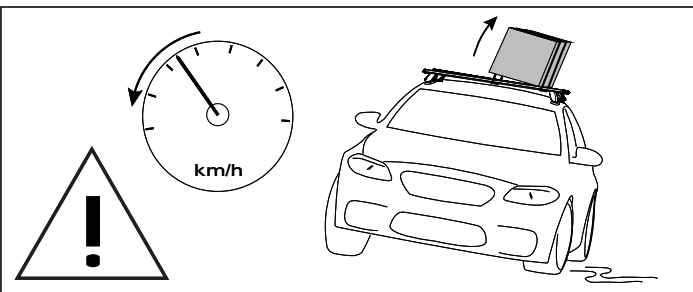
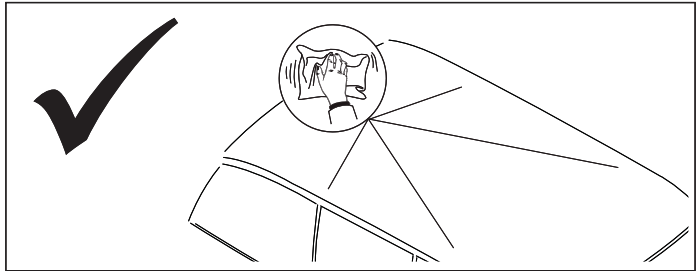
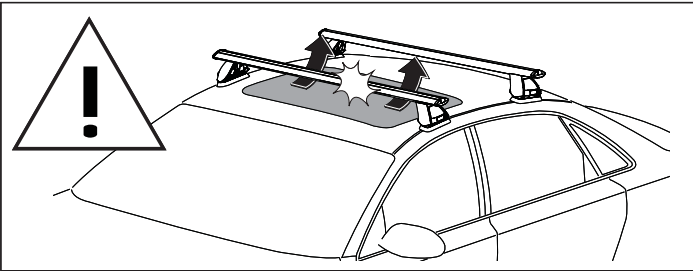
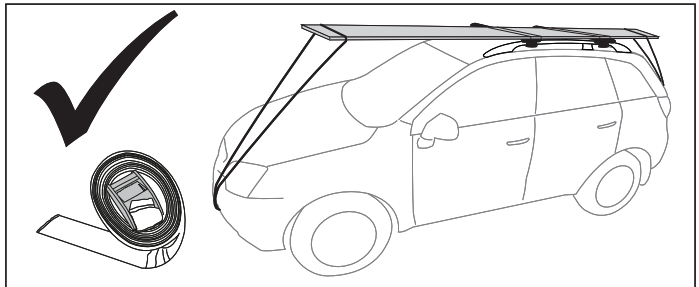
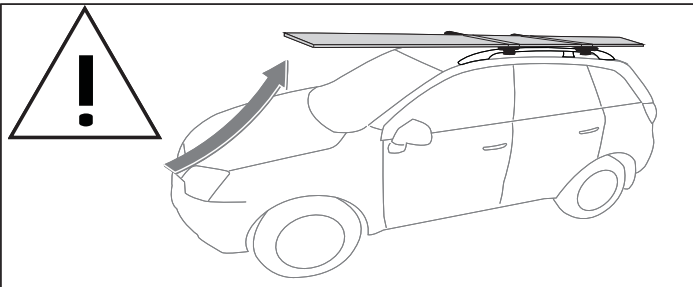
Issue No: 02

Issue Date: 21/09/2017

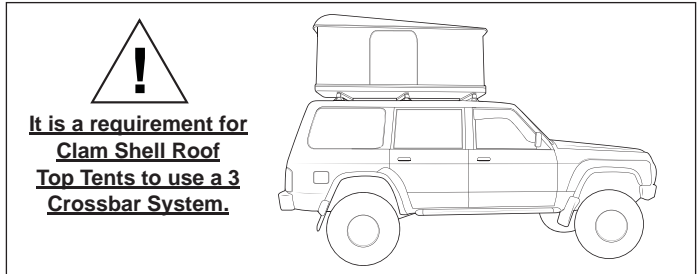
These instructions remain the property of Rhino-Rack Australia Pty. Ltd. and may not be used or changed for any other purpose than intended.



RCP29-BK ISUZU MU-X, Subaru Outback Touring Pad Kit

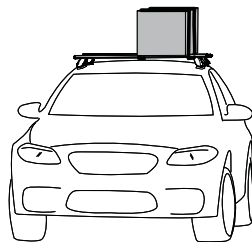


Ensure Ladder is well supported on the ground to help support tent. Take extreme caution when climbing heights above 1.2m/4ft.



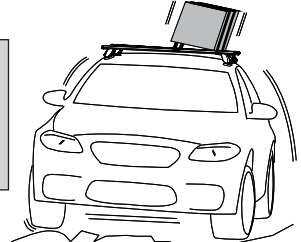
It is a requirement for Clam Shell Roof Top Tents to use a 3 Crossbar System.

When these roof racks are to be used on a vehicle that is driven off sealed roads, the maximum roof rack load rating should be **divided by 1.5**. Do not forget to subtract 5kg from your maximum carrying capacity due to the weight of the crossbars and legs.



60kg/132lbs
load rating
(Urban road)

40kg/88lbs
load rating
(Off road
- 60kg / 1.5)



WARNING! Important Load Carrying Instructions

With utility vehicles, the cabin and the canopy move independently. Roofracks and vehicle can be damaged if the item transported is rigidly fixed at points on both the cabin and canopy. Instead, rigidly fix to either the cabin roofracks or the canopy roofracks.

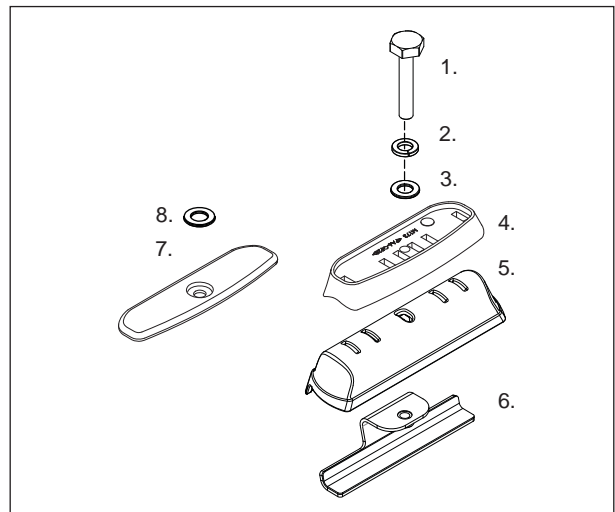
Paddle/ Surfboards should be fixed to the front of the vehicle.



RCP29-BK ISUZU MU-X, Subaru Outback Touring Pad Kit

Parts List

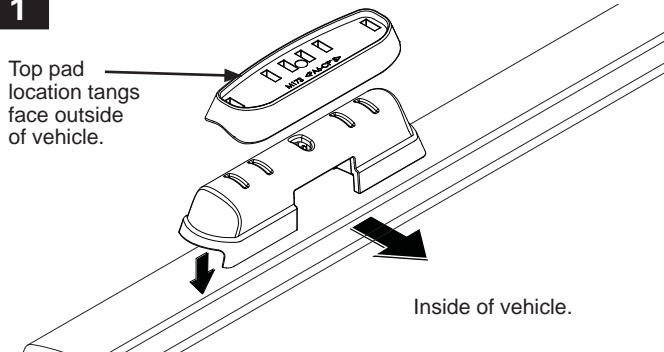
Item	Component Name	1 Bar	2 Bar	Part No.
1	M6 x 40mm Hex Setscrew	2	4	B106
2	M6 Spring Washer	2	4	W004
3	M6 x 16mm Flat Washer	2	4	W031
4	Top Pad	2	4	M173
5	Base Pad	2	4	M258
6	RLCP Bracket	2	4	CA1272
7	Pad Cover	2	4	M126
8	M6 Washer (used on cover plate)	2	4	W003
9	Instruction	1	1	R1335



Tools Required: 10mm socket wrench.

Instructions

1

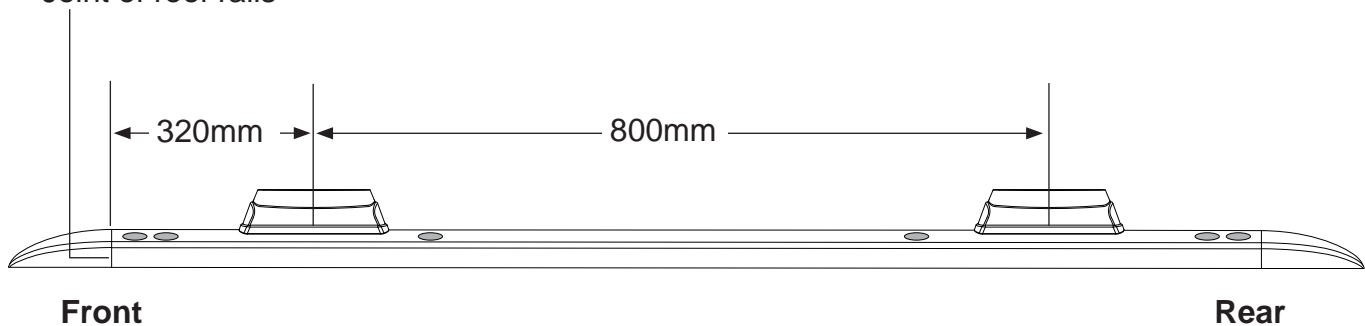


The four top and bottom pads are identical. Diagram at left shows correct orientation of top and bottom pad. The large cut out and lip of the bottom pad sits over the inside edge of the roof rail.

2

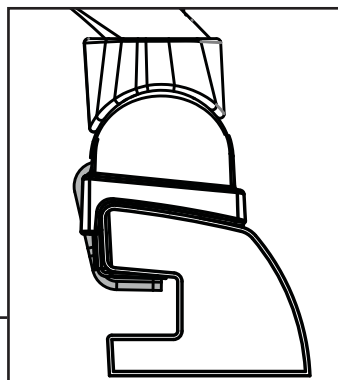
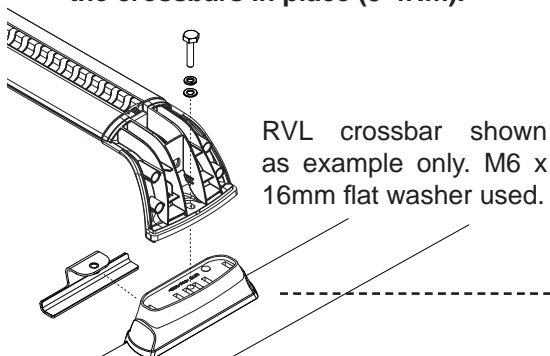
Use measurements below as a guide for positioning roof racks.

Joint of roof rails



3

Place your crossbars onto the pads. Place the stainless strap into the inside gap of the base pad. Insert the M6 x 40 hex and washer assembly through the leg and fasten. **Recheck measurements from step 2 and tighten the crossbars in place (3-4Nm).**



Install cover plates when crossbars are not in use.

