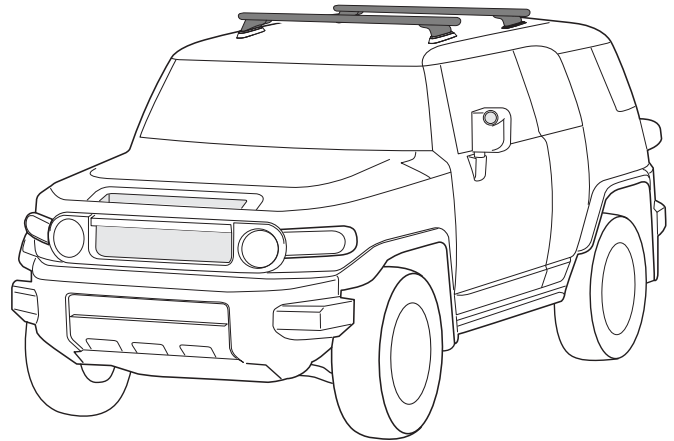
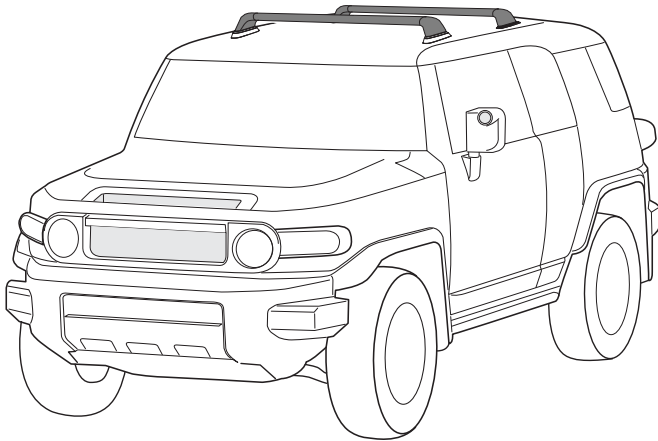




# RHINO-RACK

## RCP25-BK, RCP25R-BK Toyota FJ Cruiser Pad Kit

**Important:** Please read these instructions carefully prior to installation. Please refer to your fitting instruction to ensure that the roof racks are installed in the correct locations. Check the contents of kit before commencing fitment and report any discrepancies. Place these instructions in the vehicle's glove box after installation is complete.



**Note:** Crossbars and legs sold as separate.

### Important Information

1.  Check Part No./Kit is correct
2.  Read through instruction before installing
3.  Fit roof rack accessory
4.  Check and recheck all fasteners are secure

**Note:** Be sure to check the Rhino-Rack website to see if you have the latest version of instructions before beginning installation.

**Maximum carrying capacity: 68kg (150lbs)**

Please refer to your vehicle manufacturers handbook for maximum carrying capacity of your roof racks. Always use the lower of the two figures. Load must be evenly distributed over the crossbars.

**Warning:** Do not attempt to fit the roof racks to your vehicle unless you fully understand this fitting instructions. Please direct any questions regarding fitting to the dealer from where the roof racks was purchased.

**Use only non-stretch fastening ropes or straps.**

**Recommendations:**

It is essential that all bolt connections be checked after driving a short distance when you first install your roof racks. Bolt connections should be checked again at regular intervals (once a week is enough, depending on road conditions, usage, loads and distances travelled). You should also check the roof racks each time they are re-fitted. Always make sure to fasten your load securely. Please also ensure that all loads are evenly distributed and that the centre of gravity is kept as low as possible. Long loads (e.g. canoes and kayaks) must be secured front and rear with non-stretch fastening ropes or straps.

**Roof racks must be removed when putting vehicle through an automatic car wash.**

**Caution:** The handling characteristics of the vehicle changes when you transport a load on the roof. For safety reasons we recommend you exercise extreme care when transporting wind-resistant loads. Special consideration must be taken into account when cornering and braking.

**Note for Dealers and Fitters:**

It is your responsibility to ensure these fitting instructions are given to the end user or client.

Rhino-Rack  
3 Pike Street, Rydalmere,  
NSW 2116, Australia.  
(Ph) (02) 9638 4744  
(Fax) (02) 9638 4822

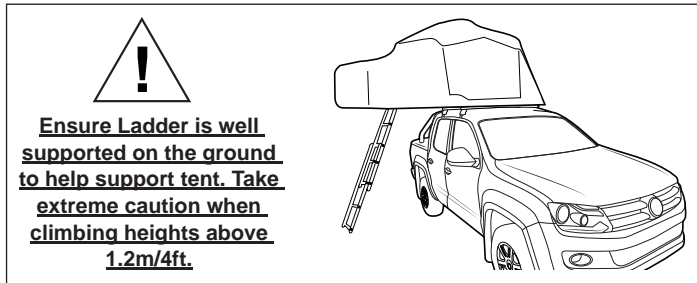
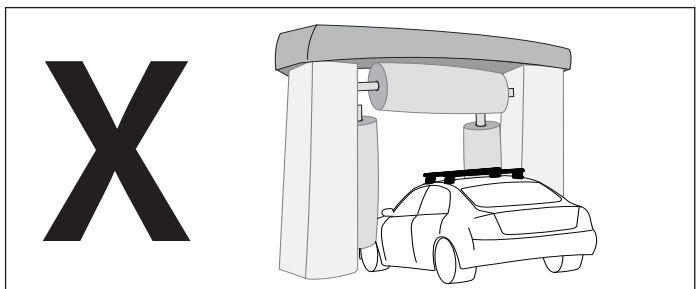
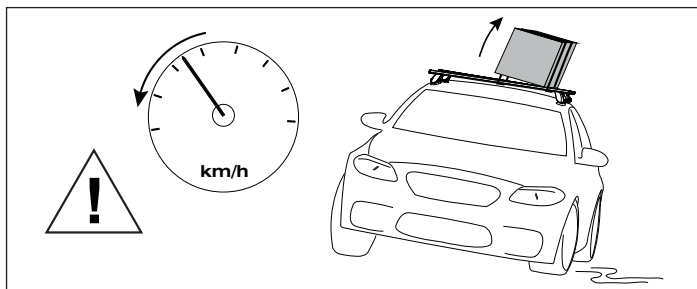
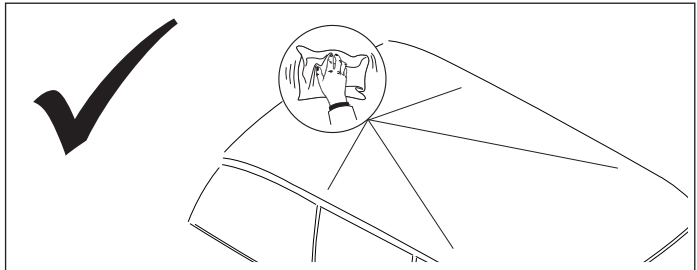
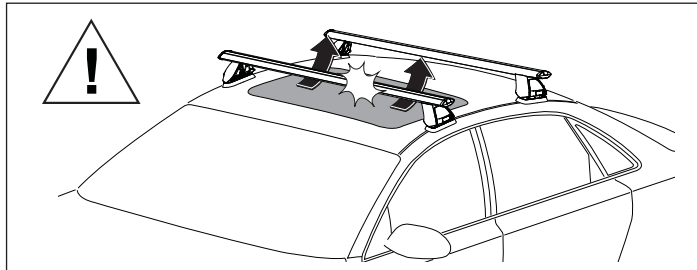
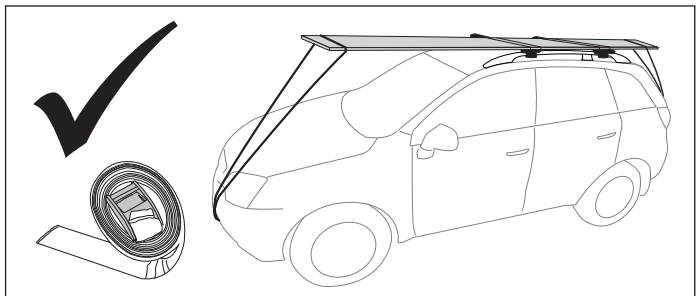
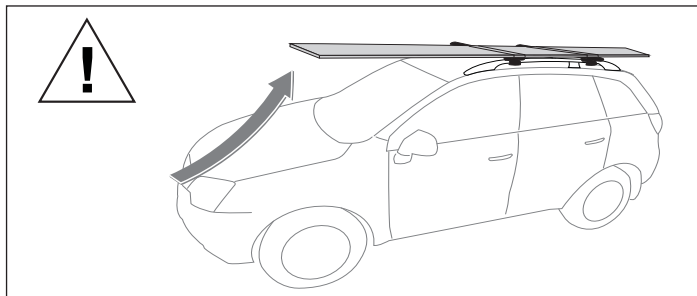
Document No: R1290  
Prepared By: Kayle Everett  
Authorised By: Chris Murty

Fit Time: 15min  
Issue No: 01  
Issue Date: 09/03/2017

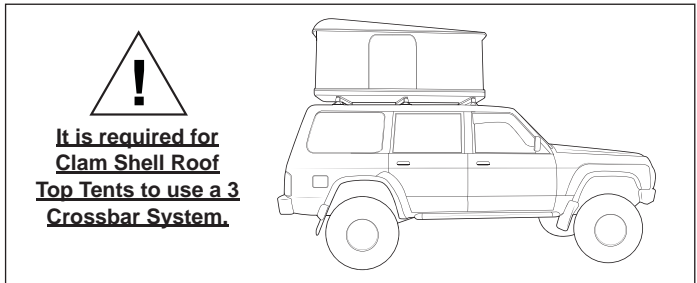
These instructions remain the property of Rhino-Rack Australia Pty Ltd and may not be used or changed for any other purpose than intended.



# RCP25-BK, RCP25R-BK Toyota FJ Cruiser Pad Kit

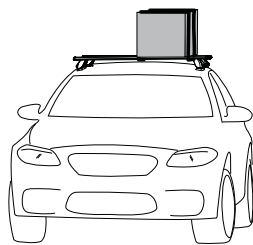


**Ensure Ladder is well supported on the ground to help support tent. Take extreme caution when climbing heights above 1.2m/4ft.**

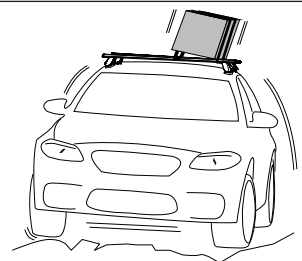


**It is required for Clam Shell Roof Top Tents to use a 3 Crossbar System.**

When these roof racks are to be used on a vehicle that is driven off sealed roads the maximum load rating must be divided by 1.5. Remember to subtract the weight of the roof racks to determine your maximum permissible load capacity.



**2 bars 68kg (150lbs) load rating (Urban road) = 2 bars 45kg (99lbs) load rating (Off road)**  
**Load rating not taking into account crossbar weight - 5kg**



**WARNING! Important Load Carrying Instructions**

With utility vehicles, the cabin and the canopy move independently. Roofracks and vehicle can be damaged if the item transported is rigidly fixed at points on both the cabin and canopy. Instead, rigidly fix to either the cabin roofracks or the canopy roofracks.

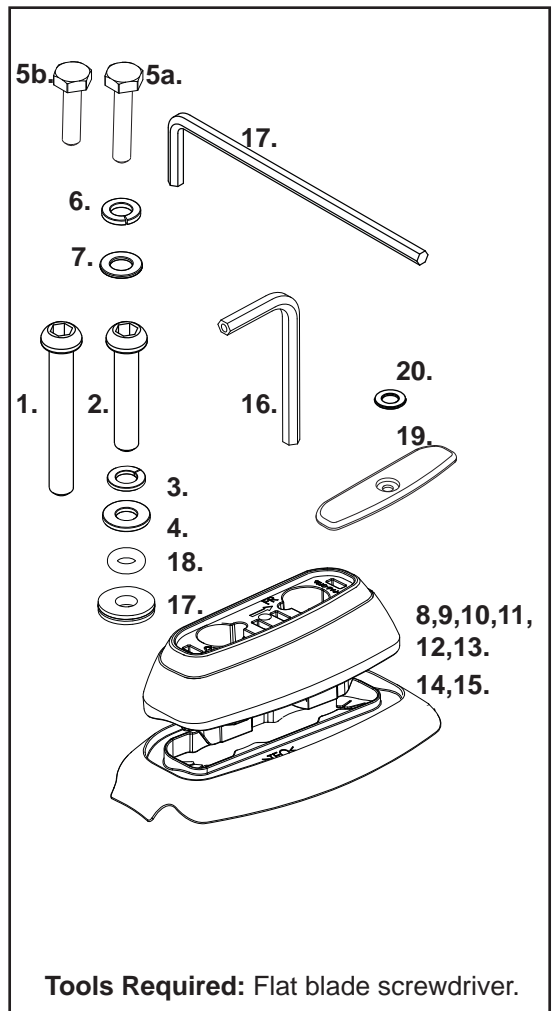
Paddle/ Surfboards should be fixed to the front of the vehicle.



# RCP25-BK, RCP25R-BK Toyota FJ Cruiser Pad Kit

## Parts List

Item	Component Name	1 Bar Qty	2 Bar Qty	Part No.
1	M8 x 40mm Button Screw	4	4	B127
2	M8 x 50mm Button Screw	-	4	B126
3	M8 Spring Washer	4	8	W019
4	M8 Flat Washer	4	8	W043
5a	M6 x 30mm Hex Setscrew	-	4	B265
5b	M6 x 20mm Hex Setscrew	2	-	B054
6	M6 Spring Washer	2	4	W004
7	M6 x 16mm Flat Washer	2	4	W031
8	Front RIGHT Mount Pad	-	1	M390
9	Front LEFT Mount Pad	-	1	M389
10	Middle RIGHT Mount Pad	-	1	M392
11	Middle LEFT Mount Pad	-	1	M391
12	Rear RIGHT Mount Pad	1	-	M394
13	Rear LEFT Mount Pad	1	-	M393
14	LEFT Pad Mount Skirt	1	2	M385
15	RIGHT Pad Mount Skirt	1	2	M396
16	6mm Hex Allen Key	-	1	H009
17	Sealing Plate with Gaskets	4	8	C588
18	O-ring	4	8	C299
19	Pad Cover Plate	2	4	M126
20	M6 Washer (used on cover plate)	2	4	W003
21	Instruction	1	1	R1290



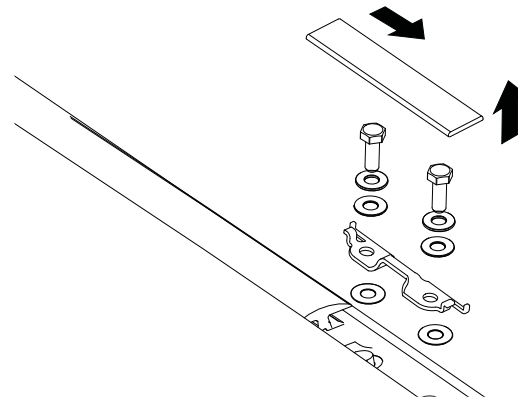
## Instructions

**1**

Remove all brackets, bolts and washers using a 10mm socket.

Store the covers and attachment hardware for future use if needed.

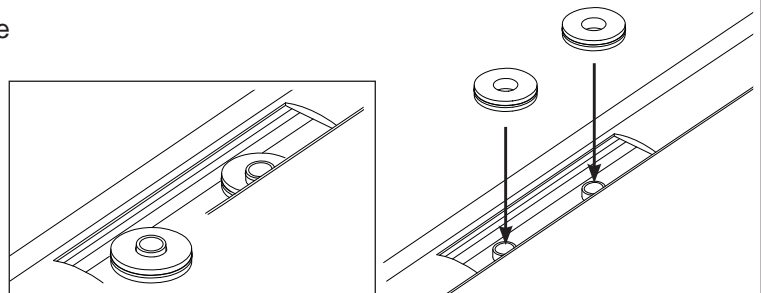
NOTE: The existing bolts and washers are not used to fit the roof rack mounting pads.



**2**

Place the foam covered copper washers over the plastic tubes in the roof channel. Make sure they are fitted neatly around the plastic tubes.

NOTE: Failure to fit the foam covered copper washers will result in water leaks.





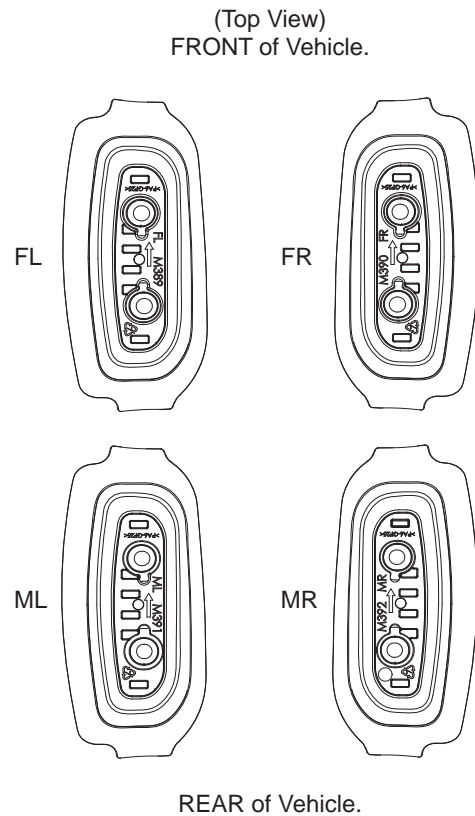
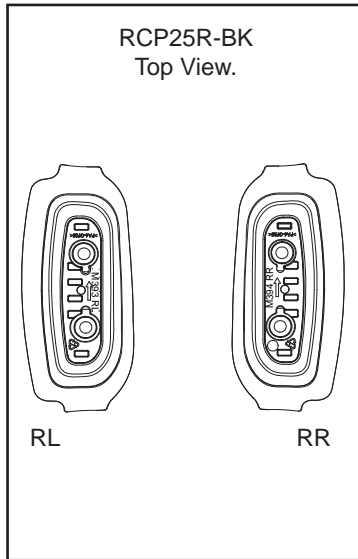
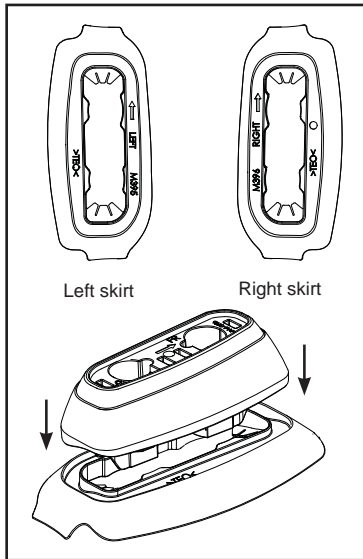
# RCP25-BK, RCP25R-BK Toyota FJ Cruiser Pad Kit

**3**

Fit RIGHT rubber skirt to pads marked FR, MR.  
Fit LEFT rubber skirt to pads marked FL, ML.

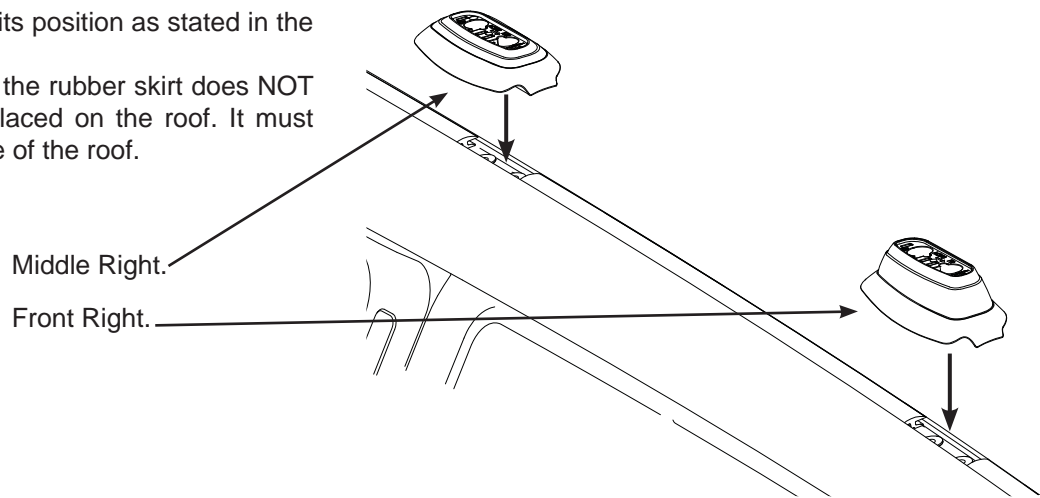
FR = Front Right.      FL = Front Left.  
MR = Middle Right.    ML = Middle Left.

NOTE: Arrows on top of parts must point towards front of vehicle when correctly installed.



**4**

Place each pad into its position as stated in the previous step.  
Check to make sure the rubber skirt does NOT fold or twist when placed on the roof. It must flare out over surface of the roof.



**5**

Assemble M8 screws, washers and O-ring in the order shown. Push the O-ring up against the washers before locating into mounting pad. Finger tighten each pad first to ensure all parts are seated correctly.

M8 x 50mm screw (FL & FR)

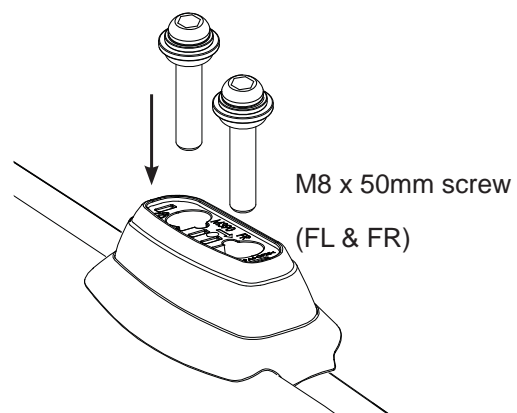
M8 x 40mm screw (ML,MR,RL,RR)

M8 spring washer.

M8 flat washer.

7mm x 4mm O-ring.

Sealing Plate.



Use M8 x 40mm screw for the middle pads (ML,MR,RL,RR)

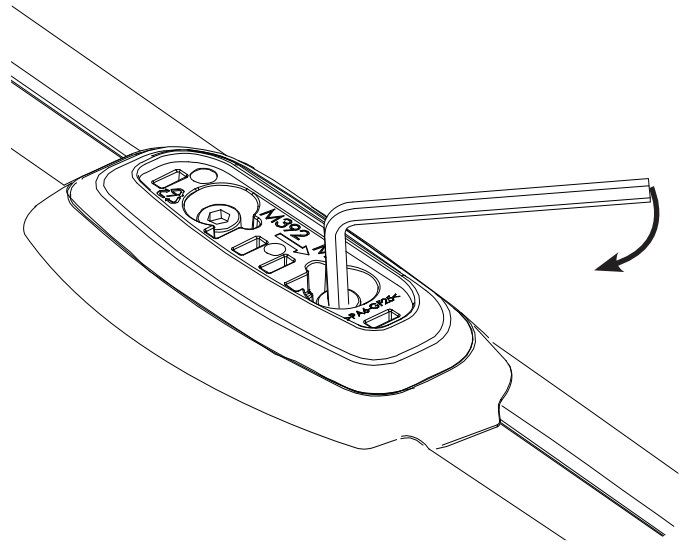


## RCP25-BK, RCP25R-BK Toyota FJ Cruiser Pad Kit

- 6** Tighten all M8 screws using the 6mm allen key supplied.

Recommended tightening torque 9-11 Nm.

DO NOT OVER TIGHTEN.



- 7** Sit the cross bars in position. Assemble the M6 screw and washers in the order shown. Place the M6 screw/washer assembly through the Aero leg and fasten to the mounting pad.

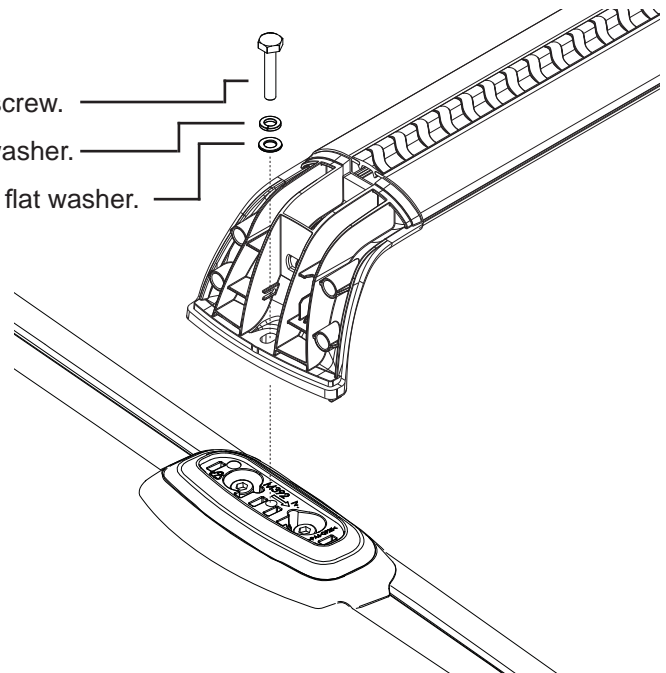
Tighten the M6 screws.  
Recommended tightening torque 3-4 Nm.

RVL shown as example only.

M6 hex setscrew.

M6 spring washer.

M6 x 16mm flat washer.



- 8** When crossbars are not in use, install the pad mount cover plates as shown.

