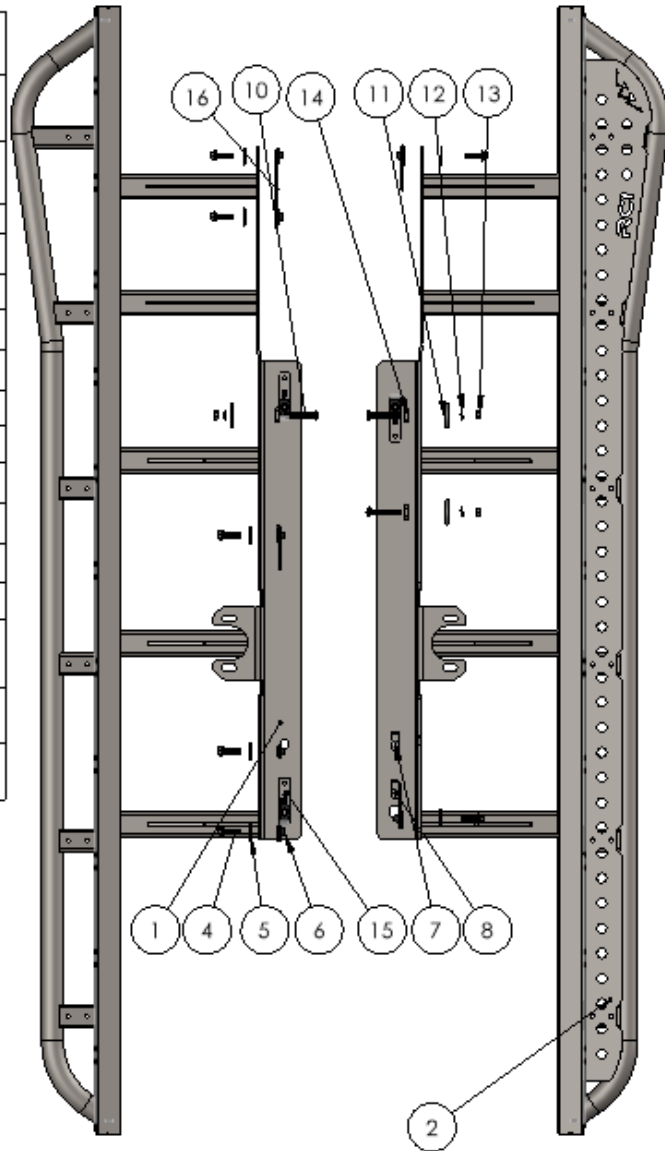


RCI 15+ F-150 SuperCrew Long Bed Slider Install Guide

ITEM NO.	DESCRIPTION	QTY.
1	15+ F150 SuperCrew LB Sliders	1 Pair
2	Slider Tread Plated (If Optioned)	1 Pair
3	Tread Mount Hardware Kit	1
4	M10 X 35 Flanged Bolt	11
5	1/2" Washer	11
6	M10 Speed Clip	11
7	M8 x 1.25 Speed Clip	2
8	M8 X 30 X1.25	2
9	3/8 Washer	2
10	3/8" x 2.5" Carriage Bolt	3
11	Full Moon Spacer	3
12	3/8 Split Washer	3
13	3/8" Hex Nut	3
14	3/8" Reverse carriage bolt plate .25MS	3
15	Mounting Plate #1 .135MS	8
16	Mounting Plate #3 .188MS	1



RCI OFFROAD		
TITLE: 15+ F150 SuperCrew Long Bed Slider Install Guide		
Item Number	SKU	REV
Sheet 1		1
SCALE: 1:11		SHEET 1 OF 1

Figure 1: BOM

INSTALLATION STEPS:

****Use hand tools, impact wrenches may cause damage if over torqued.****

- 1) **PLEASE NOTE:** Some F-150 model trucks have a fuel control box located on frame of the passenger side of the vehicles. If your F-150 does have the fuel control box, please reference **Appendix A** before continuing with the installation. Only the box depicted below needs to be relocated. If the box is further forward than the one below, then it does not need to be relocated.



Figure 2: Fuel control box

- 2) Begin by unpacking and removing all components and hardware. Please verify that all hardware and mounting components are present. Reference your original order invoice and verify all items are accounted for.
 - a. **PLEASE NOTE:** Sliders purchased with an RCI Black Powder Coat should be inspected thoroughly for any possible damage during shipment. Once the sliders have been mounted to the vehicle, RCI will no longer be able to assist with powder coat damage that may have occurred in transit.
 - b. Sliders purchased in Bare Metal should be cleaned with Acetone and covered in a rust preventative (powder coat, paint, bed liner, etc.) before mounting to the vehicle.

- 3) Start by removing all OEM rock rails or side steps from the truck.
- 4) If applicable, remove the factory transfer case skid plate. This skid can be reinstalled below the slider once installation of the slider is complete.
 - a. NOTE: OEM speed clips can be reused for slider installation. The hardware kit includes replacement speed clips if OEM hardware needs replaced.



Figure 3: OEM Transfer case skid to be removed.

- 5) On the Driver and Passenger side of the vehicle, remove the two (2) center body mount nuts and save for reinstall later.

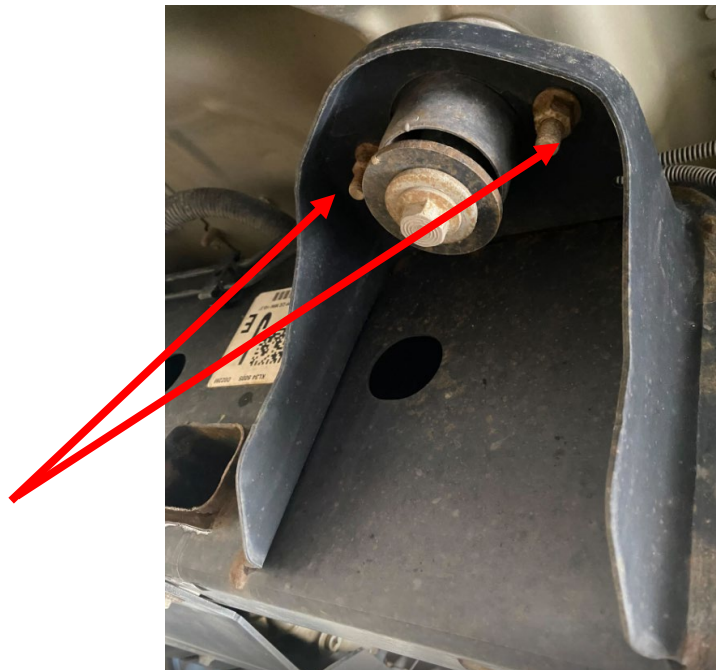


Figure 4: Body mount nuts to be removed.

- 6) Next, collect eight (8) mounting plate #1, one (1) mounting plate #3 and nine (9) M10 speed clips. Install the speed clips to the mounting plates as depicted below and save them for later use.

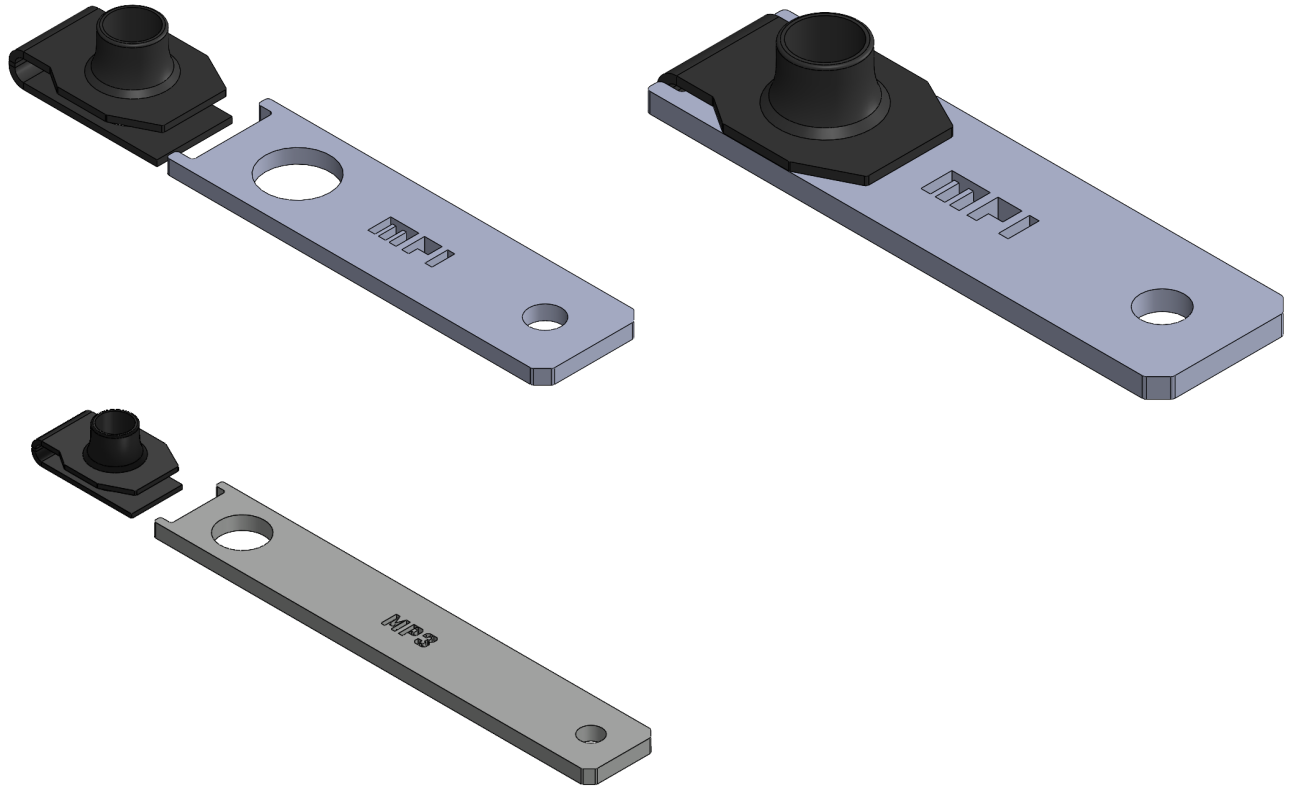


Figure 5: Correct installation of speed clip on MP1 and MP3

- 7) Beginning on the driver side, collect one (1) M10 speed clip and two (2) M8 speed clips.
- 8) Install the speed clips in the frame of the vehicle as depicted below.
- NOTE: Some F-150 models have speed clip mounts in different locations. Install the speed clips where applicable, the slider will have some holes that will not be used due to the variation in frame hole locations.



Figure 6: Driver side rearmost speed clip locations

- 9) If desired the included M8 speed clips can replace the OEM speed clips that are used to mount the rear of the transfer case skid plate.



Figure 7: OEM M8 speed clip locations

- 10) Collect one (1) of the assembled mounting plates (MP1) and one (1) M10 x 35mm bolt. Install the mount plate into the opening on the bottom of the frame. Loosely thread in the M10 bolt to keep the plate in place.



Figure 8: Preinstallation of lower M10 bolt

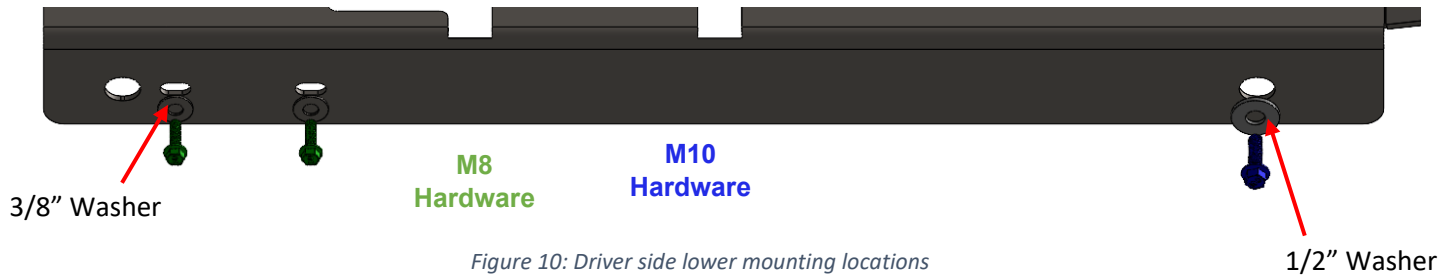
- 11) With the speed clips installed, lift the Driver Side Rock Slider into position. Begin threading the OEM body mount nuts to help secure the slider. The use of a floor jack, stool, or a helping hand is recommended until fasteners are installed.
- a. NOTE: all hardware needs to be loosely tightened until all hardware is installed.



Figure 9: Body mount nuts loosely installed.

- 12) Next collect two (2) M8 bolts with two (2) 3/8" washers and install them in the two front most mounting locations on the underside of the frame.

13) Remove the rearmost M10 bolt and reinstall it with a 1/2" washer.



14) Beginning at the front of the frame, collect one (1) of the assembled mounting plates, one (1) M10 bolt, and one (1) 1/2" washer.
Feed the mounting plate into the frame through the opening in the frame plate and align it with the mounting hole on the slider. Install the M10 bolt and 3/8" washers as depicted below.

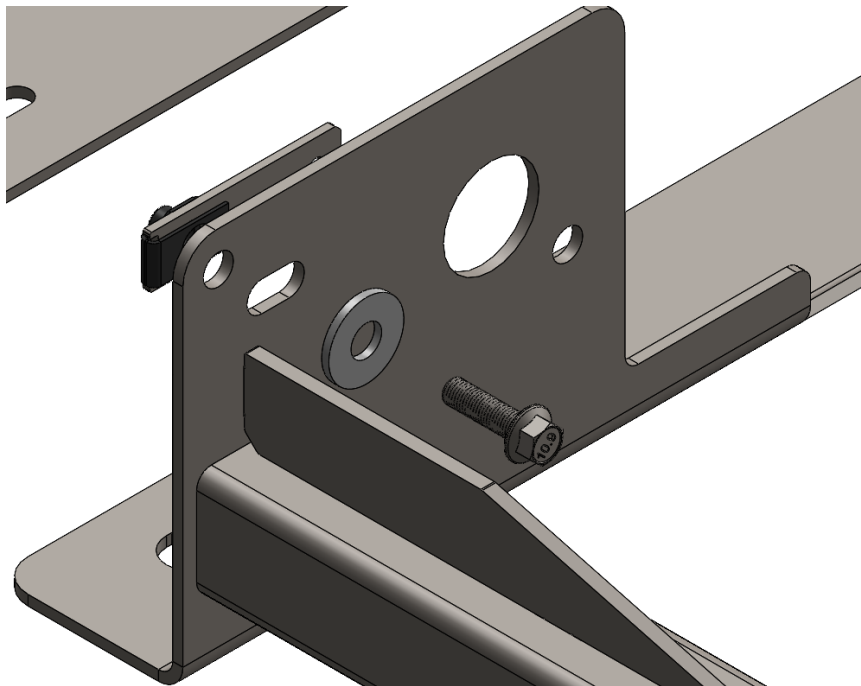


Figure 11: Driver Side frontmost mounting location

15) Collect two (2) M10 bolts, two (2) 1/2" washers, and one (1) assembled M10 mounting plate (MP1).

- 16) At the rear of the frame, install the first M10 bolt and washer into the previously installed M10 speed clip through the lowest slot on the frame plate. Install the second M10 bolt and washer through the upper slot and feed the mounting plate through the opening on the frame to align with the mounting hole.
- a. NOTE: There may be extra hardware due to variation in F-150 frames. Install hardware where mounting is available.

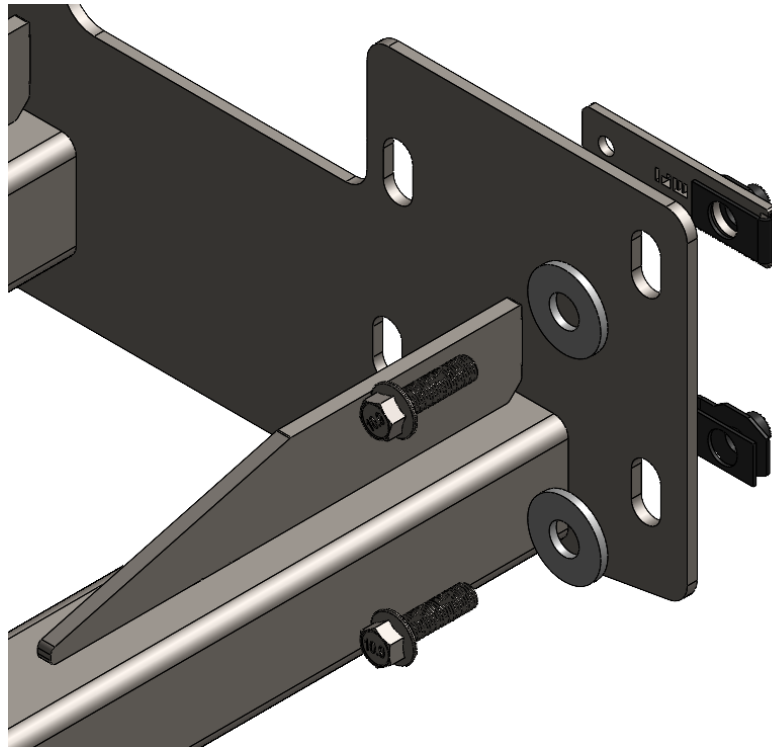


Figure 12: Example of mounting possibility



Figure 13: Correct installation of M10 bolts

17) Collect two (2) 3/8" x 2 1/2" carriage bolts, two (2) full moon washers, two (2) 3/8" split washers, two (2) 3/8" hex nuts, and two (2) 3/8" reverse carriage bolt plates.

18) Assemble the two carriage bolts and reverse carriage bolt plates as depicted below.

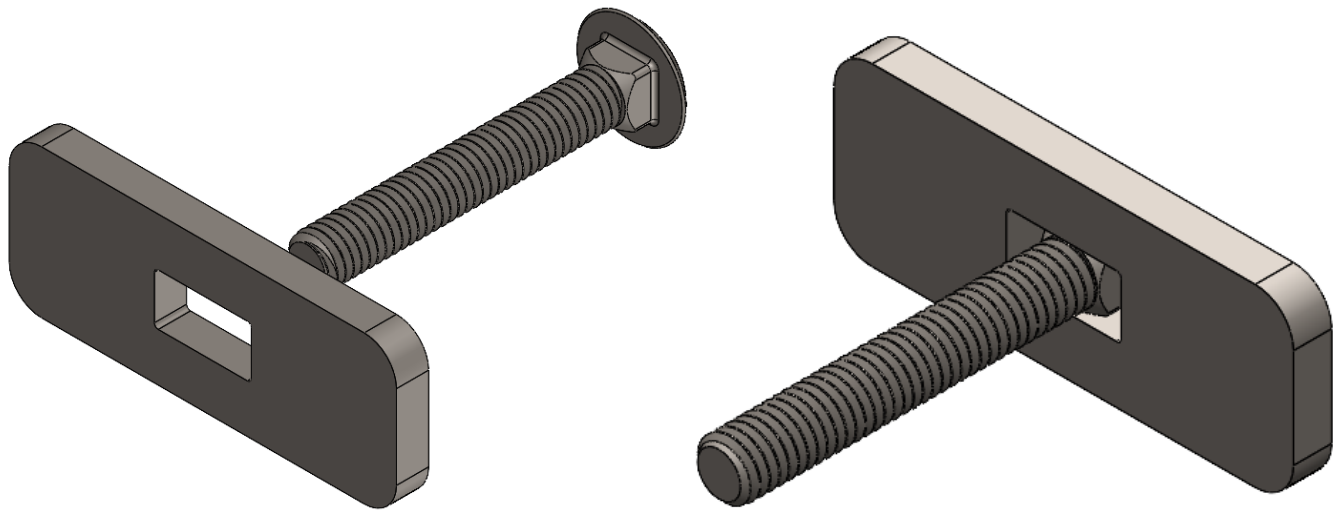


Figure 14: Reverse Carriage Bolt Plate Assembly

19) Feed the plate through the large circular opening on the frame.

20) Next install the full moon washer, split washer, and nut on the end of the carriage bolt. Hand tighten the hardware so that the full moon is centered over the hole and the reverse carriage bolt plate is centered over the hole as well. Reference the figures below.

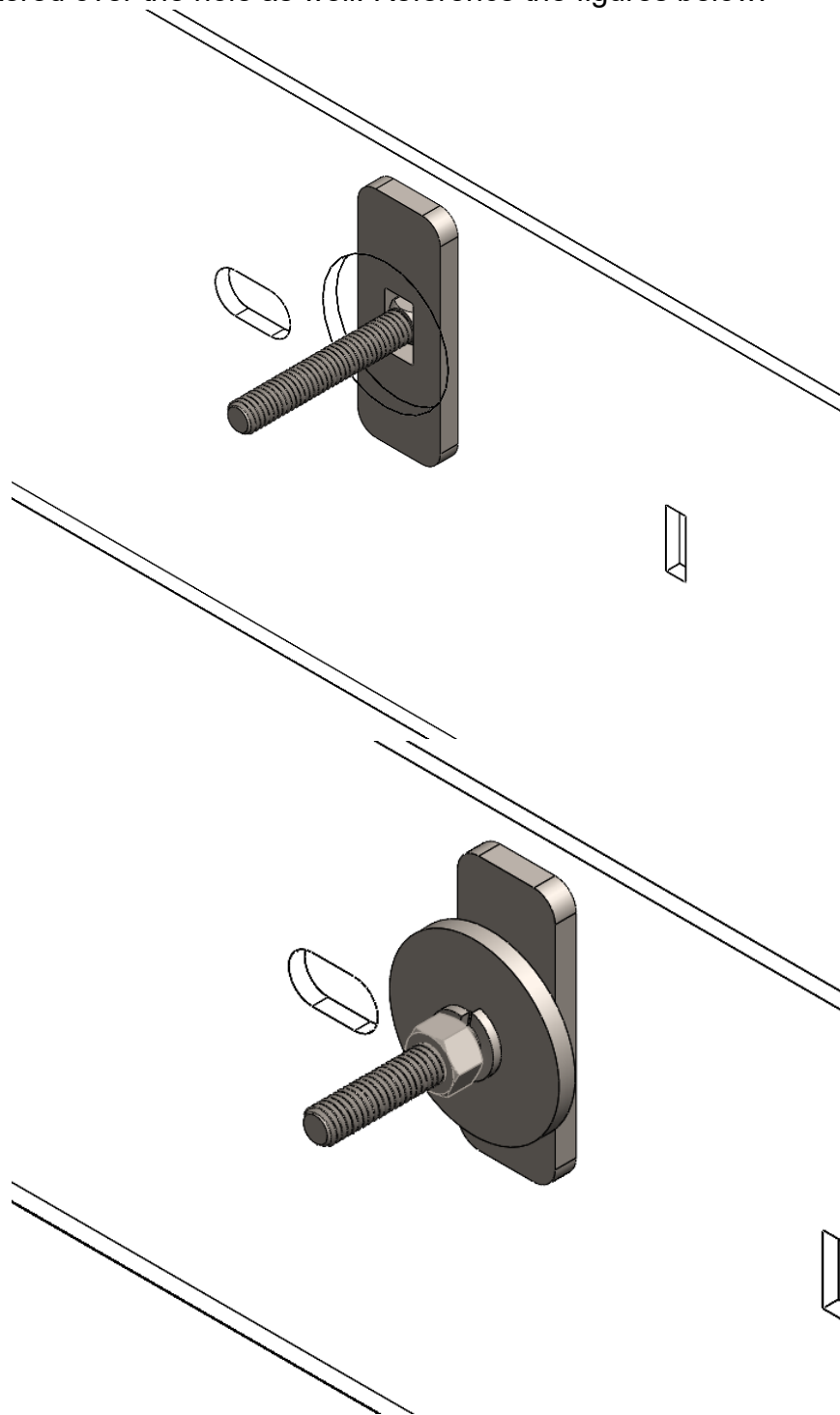


Figure 15: Correct installation of carriage bolt assembly

21) Repeat steps 19 & 20 for the second circular opening.



Figure 16: Correct installation of carriage bolt assembly

- 22) With all hardware loosely installed, go through and snug down all hardware so that the slider is mounted flush against the frame of the vehicle.
- 23) Move to the passenger side of the vehicle and collect one (1) M10 speed clip.
- 24) Install the speed clip in the frame of the vehicle as depicted below.
 - 1) NOTE: Some F-150 models have speed clip mounts in different locations. Install the speed clips where applicable, the slider will have some holes that will not be used due to the variation in frame hole locations.



Figure 17: M10 speed clip location on passenger side

25) Collect two (2) of the assembled mounting plates and two (2) M10 x 35mm bolts. Install the mount plate into the openings on the bottom of the frame. Loosely thread in the M10 bolt to keep the plate in place.



Figure 18: Preinstallation of Lower M10 Bolt

26) With the speed clips installed, lift the Passenger Side Rock Slider into position. Begin threading the OEM body mount nuts to help secure the slider. The use of a floor jack, stool, or a helping hand is recommended until fasteners are installed.

2) NOTE: all hardware needs to be loosely tightened until all hardware is installed.

27) Next, remove the two M10 bolts and reinstall them with 1/2" Washers.



Figure 17: Passenger Side Lower Mounting Locations

- 28) Working from front to back, collect two (2) of the assembled mounting plates, two (2) M10 bolts, and two (2) 1/2" washers.
Feed the mounting plate into the frame through the opening in the frame plate and align it with the mounting hole on the slider. Install the M10 bolts and 1/2" washers as depicted below.

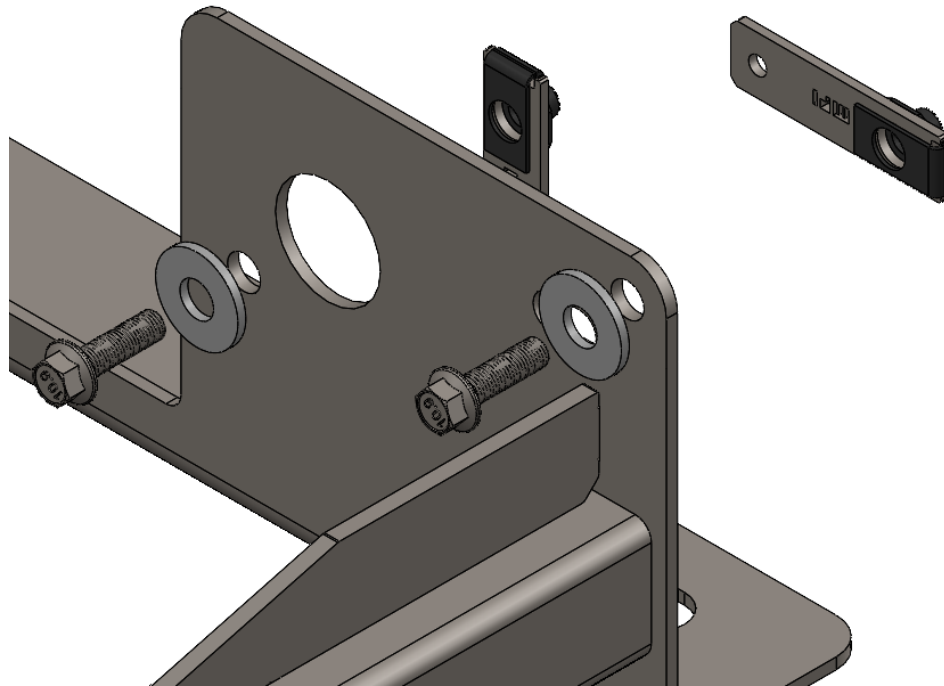


Figure 18: Passenger Side Frontmost Mounting Locations

- 29) Collect the longer assembled mounting plate (MP3), two (2) M10 bolts, and three (2) 1/2" washers.
- 30) Install one M10 bolt and 1/2" washer through the hole that aligns with the previously installed M10 speed clip.
- 31) Feed the long mounting plate through the opening on the frame to align with the inner mounting hole. Once aligned thread in a M10 bolt with a 1/2" washer to secure the assembly.

33) In the middle of the frame, install the final mounting plate through the opening on the frame and install the M10 bolt and 1/2" washer.

34) Collect the 3/8" carriage bolt assembly and install it as explained in steps 18-20.

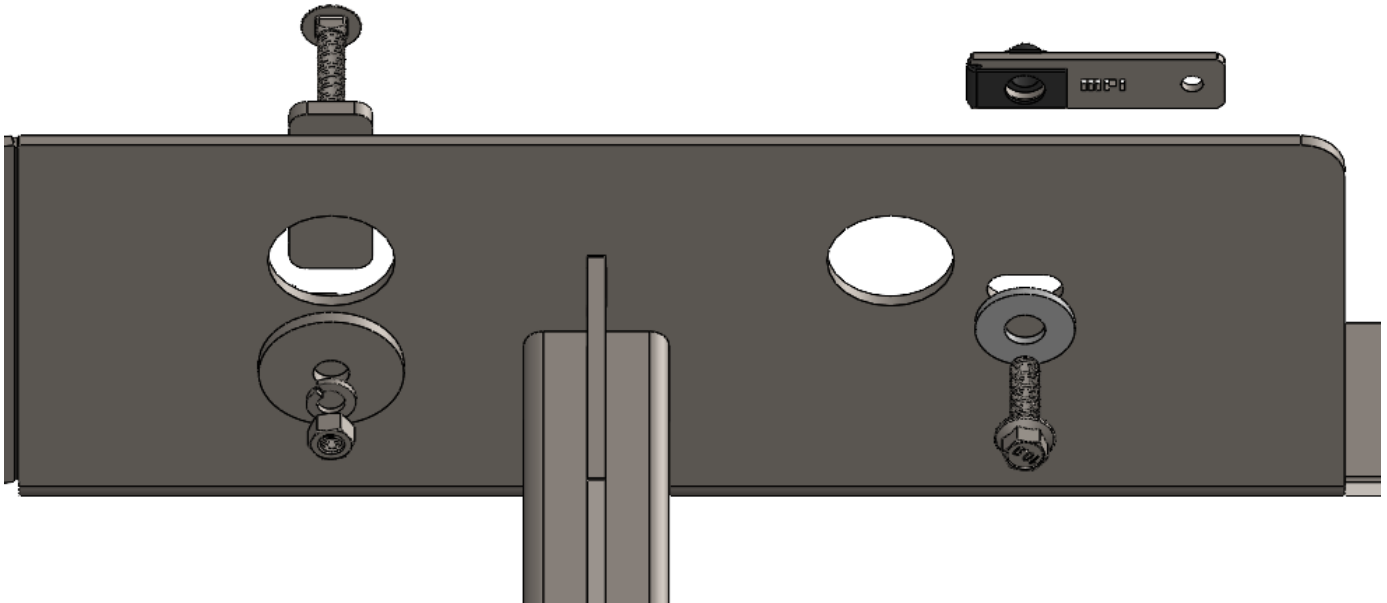


Figure 20: Correct hardware installation for center passenger side

35) With all hardware loosely installed, go through and snug down all hardware so that the slider is mounted flush against the frame of the vehicle.



Enjoy your new RCI protection!



Share your new install with us on social media!

We love seeing our products out in the wild

www.rcimetalworks.com

sales@rcioffroad.com

970-797-3089

REV: 1 | 9/29/2022



Disclaimer: The products sold by RCI Metalworks are intended for off-road use only, should not be modified, and are for use only on the vehicle(s) specifically stated. RCI Metalworks makes no warranties express or implied, including of fitness for a particular purpose or merchantability. RCI Metalworks will not be liable for any damages arising out of the use or misuse of its products. It is the customers' responsibility to ensure the products are safely and properly attached to the vehicle, and all products should be installed by trained professionals. We strive to maintain extremely high quality standards; however, all RCI Metalworks products are individually handcrafted, may vary slightly, and may contain minor imperfections. Due to the nature of raw aluminum, the material may have minor scratches and other blemishes caused by the manufacturing process, especially on the back side of product. RCI Metalworks is constantly seeking to improve its products and reserves the right to make changes to any product.

APPENDIX A:

Fuel Control Box Relocation Instructions

- 1) Begin by removing the protective cover from the fuel control box.



Figure 20: Protective Cover to Remove

- 2) With the cover removed, unbolt the fuel control unit, and remove the threaded studs from the frame.
- 3) Reinstall the threaded studs towards the front of the frame in the 3 slots depicted below.



Figure 21: Slots for Threaded Stud Reinstallation

- 4) Reinstall fuel control unit and the protective cover in the new location.



Figure 22: Correct Relocation of Fuel Control Box