

PRINSU ROOF RACK INSTALLATION GUIDE



UNIVERSAL 6' TOP RACK

All products built and designed by Prinsu Design Studio are intended for off-road use and should be assembled, installed, and used according to Prinsu Design Studio's recommendations. Prinsu Design Studio products should be used safely with good judgment towards others and the environment. By installing Prinsu Design Studio Products on your vehicle you assume all liability. Prinsu Design Studio will not be held liable for damages or loss associated with the installation or use of its products. Be smart, use good judgement, don't overload your vehicle to the point of inferior handling and maneuverability!

PRINSU ROOF RACK INSTALLATION GUIDE

CROSSBAR HARDWARE DIAGRAM



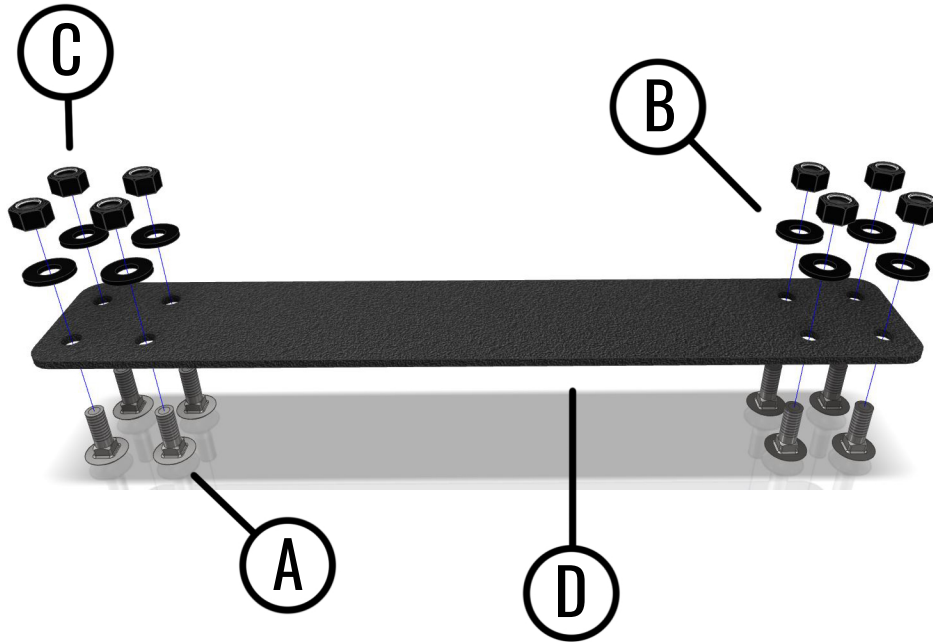
6' TOP RACK CROSSBAR HARDWARE LIST

PART	DESCRIPTION	QUANTITY
A	1/4" - 20 x 1" MACHINE SCREW	28
B	1/4" LOCK WASHER	28
C	1/4" FLAT WASHER	28

All products built and designed by Prinsu Design Studio are intended for off-road use and should be assembled, installed, and used according to Prinsu Design Studio's recommendations. Prinsu Design Studio products should be used safely with good judgment towards others and the environment. By installing Prinsu Design Studio Products on your vehicle you assume all liability. Prinsu Design Studio will not be held liable for damages or loss associated with the installation or use of its products. Be smart, use good judgement, don't overload your vehicle to the point of inferior handling and maneuverability!

PRINSU ROOF RACK INSTALLATION GUIDE

STIFFENER BRACE HARDWARE DIAGRAM



PART	DESCRIPTION	QUANTITY
A	1/4" - 20 X 3/4" CARRIAGE BOLT	32
B	1/4" FLAT WASHER	32
C	1/4" NYLON LOCK NUT	32
D	STIFFENER BRACKETS	4

All products built and designed by Prinsu Design Studio are intended for off-road use and should be assembled, installed, and used according to Prinsu Design Studio's recommendations. Prinsu Design Studio products should be used safely with good judgment towards others and the environment. By installing Prinsu Design Studio Products on your vehicle you assume all liability. Prinsu Design Studio will not be held liable for damages or loss associated with the installation or use of its products. Be smart, use good judgement, don't overload your vehicle to the point of inferior handling and maneuverability!


TOP RACK INSTALLATION GUIDE

STEP 1: IDENTIFY SIZE OF RACK AND # OF MOUNTING FEET

DESCRIPTION:

- THE 6' TOP RACK WILL RECIEVE 6 MOUNTING FEET
- ON SHELLS WHERE THE TRACKS CENTER TO CENTER DISTANCE IS WITHIN 4.6" OF THE CROSS BAR LENGTH (I.E. OVER 42.4" APART FOR A 47" RACK) THE SPECIALITY SHORTENED MOUNTING FEET WILL BE NEEDED

STANDARD MOUNT
SHORTENED MOUNT



STEP 2: IDENTIFY PLACEMENT OF MOUNTING FEET

DESCRIPTION:

- THE MOUNTING FEET CAN BE ATTACHED TO THE FAR FRONT AND FAR REAR CROSS BARS THEN MIDDLE CROSSBAR. NOTE THAT DEPENDING ON THE LENGTH OF THE TRACKS ON YOUR SHELL THIS EXACT CONFIGURATION WON'T ALWAYS BE POSSIBLE
- FOR ESPECIALLY HEAVY LOADING SCENARIOS ADDITIONAL MOUNTING FEET CAN BE PURCHASED TO MORE EVENLY DISTRIBUTE THE LOAD



All products built and designed by Prinsu Design Studio are intended for off-road use and should be assembled, installed, and used according to Prinsu Design Studio's recommendations. Prinsu Design Studio products should be used safely with good judgment towards others and the environment. By installing Prinsu Design Studio Products on your vehicle you assume all liability. Prinsu Design Studio will not be held liable for damages or loss associated with the installation or use of its products. Be smart, use good judgement, don't overload your vehicle to the point of inferior handling and maneuverability!

TOP RACK INSTALLATION GUIDE

STEP 3: ATTACH MOUNTING FEET

DESCRIPTION:

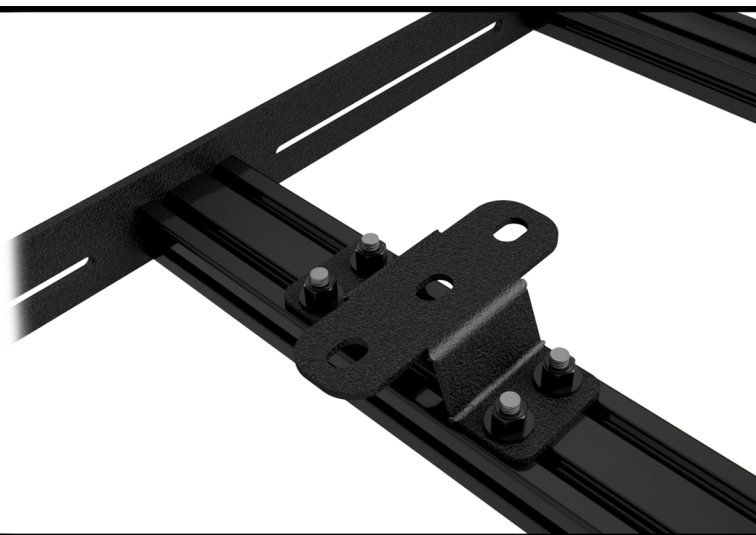
- FIRST INSERT THE CARRIAGE BOLTS INTO THE BOTTOM SIDE OF THE CROSSBAR
- MEASURE THE DISTANCE BETWEEN THE CENTER OF THE TRACKS ON YOUR SHELL. THEN PLACE THE MOUNTING FEET AT THAT DISTANCE ON THE CROSSBARS



STEP 4: ATTACH MOUNTING FEET CONT'D...

DESCRIPTION

- ONCE ALIGNED PLACE THE MOUNTING FEET OVER THE CARRIAGE BOLTS
- NEXT PLACE THE FLAT WASHERS AND FOLLOW WITH THE NYLON LOCK NUTS
- TIGHTEN WITH A 7/16" WRENCH



All products built and designed by Prinsu Design Studio are intended for off-road use and should be assembled, installed, and used according to Prinsu Design Studio's recommendations. Prinsu Design Studio products should be used safely with good judgment towards others and the environment. By installing Prinsu Design Studio Products on your vehicle you assume all liability. Prinsu Design Studio will not be held liable for damages or loss associated with the installation or use of its products. Be smart, use good judgement, don't overload your vehicle to the point of inferior handling and maneuverability!

TOP RACK INSTALLATION GUIDE

STEP 5: ATTACH STIFFENER BRACES

DESCRIPTION:

- THERE ARE FOUR STIFFENER BRACES INCLUDED WITH EVERY TOP ROCK
- ONE IS PLACED IN EACH CORNER OF THE RACK



STEP 6: ATTACH STIFFENER BRACES CONT'D...

DESCRIPTION

- ONCE ALIGNED PLACE THE STIFFENER BRACES OVER THE CARRIAGE BOLTS
- NEXT PLACE THE FLAT WASHERS AND FOLLOW WITH THE NYLON LOCK NUTS
- TIGHTEN WITH A 7/16" WRENCH



All products built and designed by Prinsu Design Studio are intended for off-road use and should be assembled, installed, and used according to Prinsu Design Studio's recommendations. Prinsu Design Studio products should be used safely with good judgment towards others and the environment. By installing Prinsu Design Studio Products on your vehicle you assume all liability. Prinsu Design Studio will not be held liable for damages or loss associated with the installation or use of its products. Be smart, use good judgement, don't overload your vehicle to the point of inferior handling and maneuverability!

TOP RACK INSTALLATION GUIDE

STEP 7: ATTACH SIDE RAILS

DESCRIPTION:

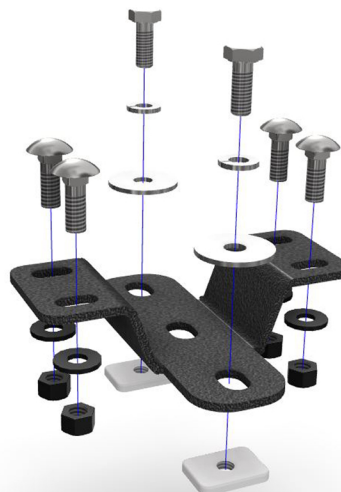
- WITH THE MOUNTING FEET AND STIFFENER BRACES INSTALLED YOU CAN NOW ATTACH THE SIDE RAILS
- TIGHTEN THE SIDE RAILS TO THE CROSSBARS WITH THE SUPPLIED MACHINE SCREWS FOLLOWED BY THE SPLIT LOCK WASHER AND THEN FLAT WASHER. TIGHTEN UNTIL THE LOCK WASHER IS COMPRESSED



STEP 8: ATTACH ROOF RACK TO TRACKS

DESCRIPTION

- SLIDE THE SQUARE "A" PLATES INTO THE TRACK SYSTEM
- EACH MOUNTING FOOT REQUIRES TWO "A" PLATES



All products built and designed by Prinsu Design Studio are intended for off-road use and should be assembled, installed, and used according to Prinsu Design Studio's recommendations. Prinsu Design Studio products should be used safely with good judgment towards others and the environment. By installing Prinsu Design Studio Products on your vehicle you assume all liability. Prinsu Design Studio will not be held liable for damages or loss associated with the installation or use of its products. Be smart, use good judgement, don't overload your vehicle to the point of inferior handling and maneuverability!

TOP RACK INSTALLATION GUIDE

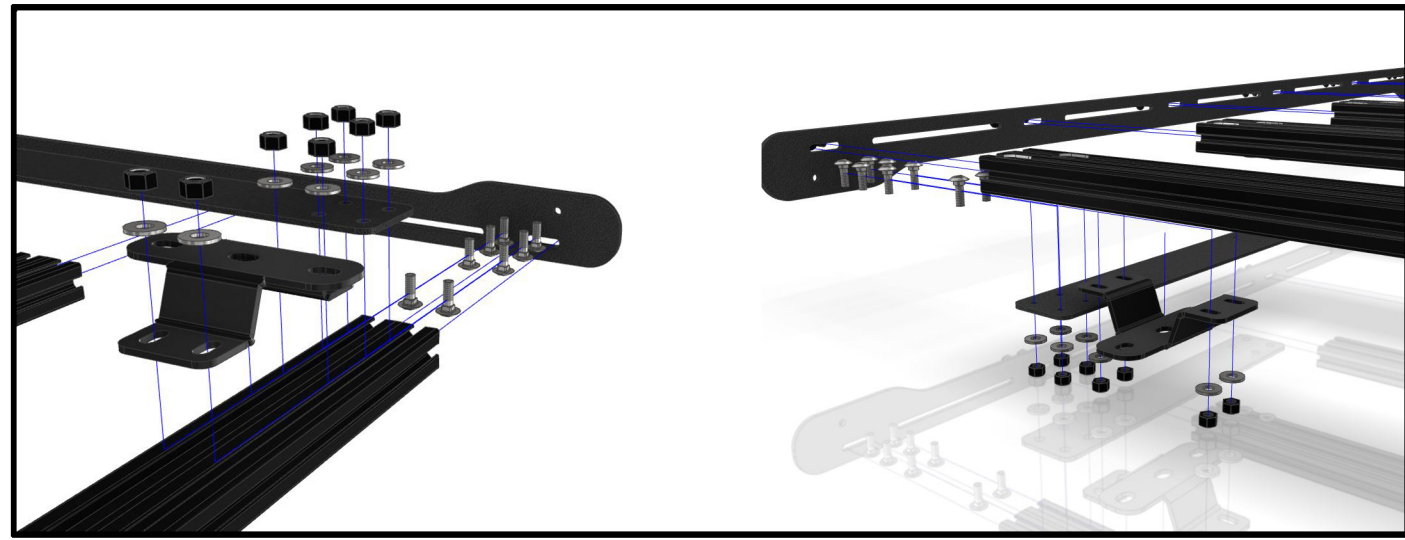
STEP 9: DOUBLE CHECK CONNECTIONS

DESCRIPTION:

- BEFORE YOUR FIRST DRIVE DOUBLE CHECK ALL FASTENERS TO ENSURE YOUR ROOF RACK FUNCTIONS CORRECTLY
- PERIODICALLY THERE AFTER CHECK THE FASTNERS TO ENSURE FULL FUNCTIONALITY



ADDITIONAL IMAGES



All products built and designed by Prinsu Design Studio are intended for off-road use and should be assembled, installed, and used according to Prinsu Design Studio's recommendations. Prinsu Design Studio products should be used safely with good judgment towards others and the environment. By installing Prinsu Design Studio Products on your vehicle you assume all liability. Prinsu Design Studio will not be held liable for damages or loss associated with the installation or use of its products. Be smart, use good judgement, don't overload your vehicle to the point of inferior handling and maneuverability!