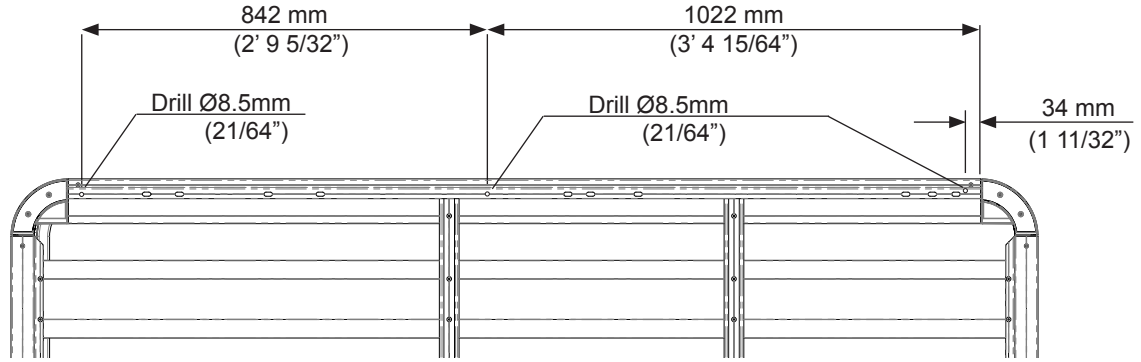




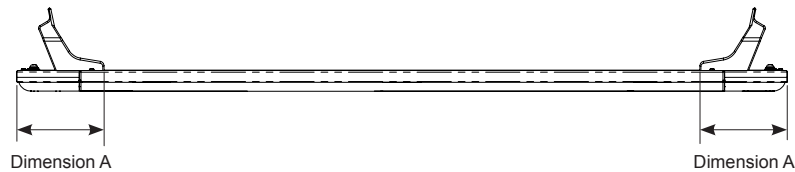
Pioneer Platform / Pioneer Tray / Pioneer Tradie

Fitting Chart - TOYOTA FJ Cruiser 4dr 4WD

PIONEER 41104	(2128 x 1426mm)	(6' 11 25/32" x 4' 8 9/64")
PIONEER 42104B	(2128 x 1426mm)	(6' 11 25/32" x 4' 8 9/64")
PIONEER 45104B	(2128 x 1426mm)	(6' 11 25/32" x 4' 8 9/64")



Front of Tray



Front Crossbar			Middle Crossbar			Rear Crossbar			Approx. Overall Vehicle Height
Front Slot	Dim. A	LHS	Middle Slot	Dim. A	LHS	Rear Slot	Dim. A	LHS	
Drill Hole Ø8.5mm	202mm (7 61/64")	LHSPAIR	Drill Hole Ø8.5mm	234mm (9 7 /32")	-	Drill Hole Ø8.5mm	262mm (10 5/16")	-	

Country	Vehicle	Running Date	Vehicle Load Rating (kg / lbs)	Fit Kit	Notes
Australia & NZ	TOYOTA FJ Cruiser 4dr 4WD	03/11 - on	70 / 155	1 x RFJB1	Utilised Backbone System (RFJB1)
Canada, USA & South America	TOYOTA FJ Cruiser 4dr SUV	2006 - on			

Rhino-Rack
 3 Pike Street, Rydalmere,
 NSW 2116, Australia.
 (Ph) (02) 9638 4744
 (Fax) (02) 9638 4822

Document No: R546
 Prepared By: Nigel Greig
 Authorised By: Chris Murty

Issue No: 1
 Issue Date: 20/09/2014

These instructions remain the property of Rhinorack Australia Pty Ltd and may not be used or changed for any other purpose than intended.