

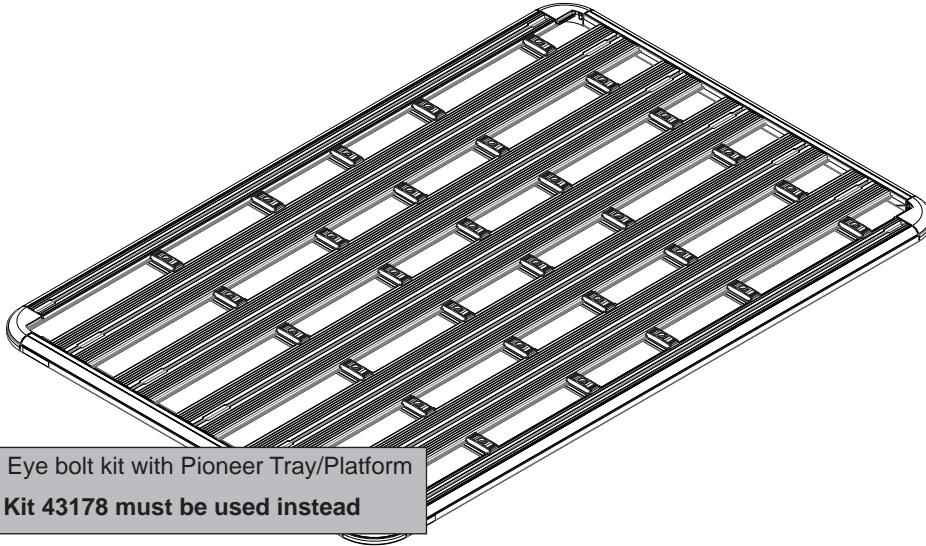


# RHINO-RACK

## Flat Pack - Pioneer Platform

### Important !

It is important that all roof racks and accessories are installed and attached correctly. Failure to follow correct attachment procedure could result in an accident, serious injury or death to others. The driver of the vehicle is responsible for securing the roof racks and accessories, checking the attachments, periodically checking bolt torque and visual inspection of all components for wear and damage. Do not attempt to fit the roof rack system or accessory to your vehicle unless you fully understand these fitting instructions. Please direct any questions regarding fitting to the dealer or retailer from where they were purchased.



**DO NOT** use REB Eye bolt kit with Pioneer Tray/Platform  
**Pioneer Eye Bolt Kit 43178 must be used instead**

**Care Instruction:** Wash vehicle roof prior to installing Rhino Pioneer Alloy Tray.

### Download your Vehicle Fitment Sheet

Individual fitment sheets exist for every vehicle and tray size available, they provide specific fitment information that is relevant to each individual vehicle.

Fitment sheets can be downloaded from the RhinoRack Website under 'Fit My Car'  
 Simply select the make and model of the vehicle, select the Pioneer tray of choice and click on instructions:

### Important Information

**Load Ratings ..... Page 3**

**Recommendations..... Page 3**

**Sensitivity to cross winds, behaviour in curves and braking..... Page 3**

**Use only non-stretch fastening ropes or straps.**

**Please remove cross bars when putting vehicle through an automatic car wash.**

**Note for Dealers:** It is your responsibility to ensure instructions are given to the end user or client.

Rhino-Rack  
 3 Pike Street, Rydalmere,  
 NSW 2116, Australia.  
 (Ph) (02) 9638 4744  
 (Fax) (02) 9638 4822

Document No: R752  
 Prepared By: Kayle Everett  
 Authorised By: Chris Murty

Fit Time: 45min  
 Issue No: 08  
 Issue Date: 9/07/2018

These instructions remain the property of Rhinorack Australia Pty Ltd and may not be used or changed for any other purpose than intended.



### Flat Pack - Pioneer Platform

#### Parts List

Item	Component Name	Part No.	Quantity																	
			42100BF	42101BF	42102BF	42103BF	42104BF	42105BF	42106BF	42107BF	42108BF	42109BF								
1	4mm Allen Key	H048	1	1	1	1	1	1	1	1	1	1	1	1	1	1	1	1	1	1
2	5mm Allen Key (Double Ended)	H034	1	1	1	1	1	1	1	1	1	1	1	1	1	1	1	1	1	1
3	Plastic Side Tab	Various	M754 - 6	M756 - 6	M754 - 10	M756 - 10	M755 - 10	M754 - 14	-	M754 - 10	M755 - 10	M754 - 6	M755 - 10	M754 - 6						
4	Plastic Tab	M753	9	12	15	20	20	20	28	6	15	20	20	20	20	20	20	20	20	9
5	Corner Moulding Cover FR/RL	M431	2	2	2	2	2	2	2	2	2	2	2	2	2	2	2	2	2	2
6	Corner Moulding Cover FL/RR	M432	2	2	2	2	2	2	2	2	2	2	2	2	2	2	2	2	2	2
7	Corner Moulding FR/RL	M427	2	2	2	2	2	2	2	2	2	2	2	2	2	2	2	2	2	2
8	Corner Moulding FL/RR	M428	2	2	2	2	2	2	2	2	2	2	2	2	2	2	2	2	2	2
9	Corner T Moulding FR/RL	M429	2	2	2	2	2	2	2	2	2	2	2	2	2	2	2	2	2	2
10	Corner T Moulding FL/RR	M430	2	2	2	2	2	2	2	2	2	2	2	2	2	2	2	2	2	2
11	Crossbar	-	3	3	5	5	5	5	7	2	5	5	5	5	5	5	5	5	5	3
12a	Frame End Extrusion	-	2	2	2	2	2	2	2	2	2	2	2	2	2	2	2	2	2	2
12b	Frame LH Side Extrusion	-	1	1	1	1	1	1	1	1	1	1	1	1	1	1	1	1	1	1
12c	Frame RH Side Extrusion	-	1	1	1	1	1	1	1	1	1	1	1	1	1	1	1	1	1	1
13	M5 x 16mm Plastite Screw	-	16	16	16	16	16	16	16	16	16	16	16	16	16	16	16	16	16	16
14	M6 Spring Washer	W004	9	12	15	20	20	20	28	2	15	15	15	15	15	15	15	15	15	9
15	M6 Nyloc Nut	N013	22	26	26	30	30	30	34	12	26	30	30	30	30	30	30	30	30	22
16	M6 x 12.5mm Flat Washer	W003	16	20	16	20	20	20	20	20	20	20	20	20	20	20	20	20	20	16
17	M6 x 16mm Dome Socket Screw	B036	16	20	16	20	20	20	20	8	16	20	20	20	20	20	20	20	20	16
18	M6 x 16mm T-Bolt	B089	6	6	10	10	10	10	14	4	10	10	10	10	10	10	10	10	10	6
19	M6 x 20mm Security Head	B062	9	12	15	20	20	20	28	2	15	15	15	15	15	15	15	15	15	9
20	M6 x 16mm Flat Washer	W031-BLK	15	18	25	30	30	30	42	6	25	30	30	30	30	30	30	30	30	15
21	M8 Channel Nut	N003	6	6	10	10	10	10	14	4	10	10	10	10	10	10	10	10	10	6
22	M8 15mm Flat Washer	-	6	6	10	10	10	10	14	4	10	10	10	10	10	10	10	10	10	6
23	M8 17mm Flat Washer	W020	6	6	10	10	10	10	14	4	10	10	10	10	10	10	10	10	10	6
24	M8 Spring Washer	W019	6	6	10	10	10	10	14	4	10	10	10	10	10	10	10	10	10	6
25	M8 x 20mm Dome Socket	B155	6	6	10	10	10	10	14	4	10	10	10	10	10	10	10	10	10	6
26	Plank	-	4	5	4	5	5	5	5	2	4	5	5	5	5	5	5	5	5	4
27	Plank Insert	M759	16	20	16	20	20	20	20	8	16	20	20	20	20	20	20	20	20	16
28	Instructions	R752	1	1	1	1	1	1	1	1	1	1	1	1	1	1	1	1	1	1



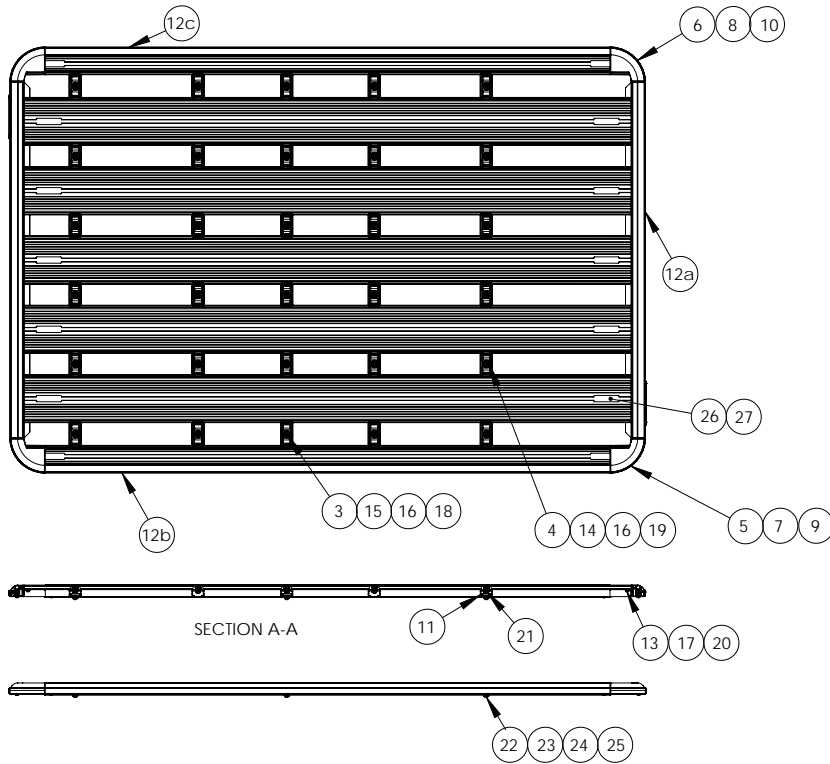
## Flat Pack - Pioneer Platform

### Parts List

Item	Component Name	Part No.	Quantity							
			42110BF	42111BF	42112BF	42113BF	42119BF	42121BF	42122BF	
1	4mm Allen Key	H048	1	1	1	1	1	1	1	1
2	5mm Allen Key (Double Ended)	H034	1	1	1	1	1	1	1	1
3	Plastic Side Tab	Various	M756 - 6	M755 - 6	M755 - 4	M755 - 6	M757 - 12	M755 - 6	M754 - 16	
4	Plastic Tab	M753	12	12	8	12	30	12	32	
5	Corner Moulding Cover FR/RL	M431	2	2	2	2	2	2	2	
6	Corner Moulding Cover FL/RR	M432	2	2	2	2	2	2	2	
7	Corner Moulding FR/RL	M427	2	2	2	2	2	2	2	
8	Corner Moulding FL/RR	M428	2	2	2	2	2	2	2	
9	Corner T Moulding FR/RL	M429	2	2	2	2	2	2	2	
10	Corner T Moulding FL/RR	M430	2	2	2	2	2	2	2	
11	Crossbar	-	3	3	2	3	6	3	8	
12a	Frame End Extrusion	-	2	2	2	2	2	2	2	
12b	Frame LH Side Extrusion	-	1	1	1	1	1	1	1	
12c	Frame RH Side Extrusion	-	1	1	1	1	1	1	1	
13	M5 x 16mm Plastite Screw	-	16	16	16	16	16	16	16	
14	M6 Spring Washer	W004	12	12	8	12	30	12	32	
15	M6 Nyloc Nut	N013	26	26	24	26	36	26	36	
16	M6 x 12.5mm Flat Washer	W003	20	20	20	20	24	20	20	
17	M6 x 16mm Dome Socket Screw	B036	20	20	20	20	24	20	20	
18	M6 x 16mm T-Bolt	B089	6	6	4	6	12	6	16	
19	M6 x 20mm Security Head	B062	12	12	8	12	30	12	32	
20	M6 x 16mm Flat Washer	W031-BLK	18	18	12	18	42	18	48	
21	M8 Channel Nut	N003	6	6	4	6	12	6	16	
22	M8 15mm Flat Washer	-	6	6	4	6	12	6	16	
23	M8 17mm Flat Washer	W020	6	6	4	6	12	6	16	
24	M8 Spring Washer	W019	6	6	4	6	12	6	16	
25	M8 x 20mm Dome Socket	B155	6	6	4	6	12	6	16	
26	Plank	-	5	5	5	5	6	5	5	
27	Plank Insert	M759	20	20	20	20	24	20	20	
28	Instructions	R752	1	1	1	1	1	1	1	



# Flat Pack - Pioneer Platform



**Maximum carrying capacity: Refer vehicle manufacturer specifications, less weight of alloy tray below (includes leg kits):**

- 42100BF = 19.5kg, 42101BF = 22.5kg, 42102BF = 25kg, 42103BF = 29.5kg,
- 42104BF = 32kg, 42105BF = 40kg, 42107BF = 27.5kg,
- 42108BF = 28.5kg,
- 42109BF = 17.5kg, 42110BF = 20kg, 42111BF = 21kg,
- 42112BF = 16kg,
- 42113BF = 30kg, 42117BF = 21.6kg, 42119BF = 39.5kg,
- 42121BF = 18.5kg and 42122BF = 46.1kg.

### Recommendations:

It is essential that all bolt connections be checked after driving a short distance when you first install your cross bars. Bolt connections should be checked again at regular intervals (probably once a week is enough, depending on road conditions, usage, loads and distances travelled). You should also check the alloy tray each time it is re-fitted. Make sure to fasten your load securely. Please ensure that all loads are evenly distributed and that the centre of gravity is kept as low as possible.

### Sensitivity to cross winds, behaviour in curves and braking.

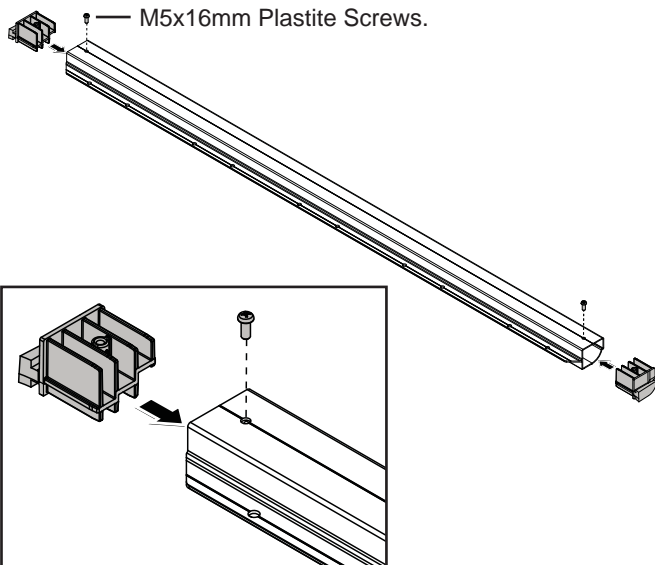
The handling characteristics of the vehicle, changes when you transport a load on the roof. For safety reasons, we recommend you exercise extreme care when transporting wind-resisting loads; special consideration must be taken into account when braking.

### Load Ratings:

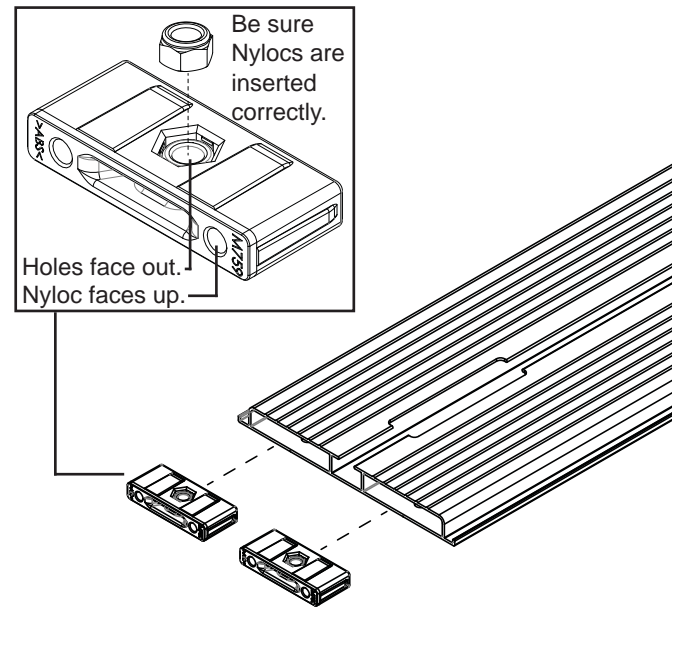
Maximum permissible load is set by the vehicle manufacturer less the weight of trays above (weights above include leg kits). When alloy trays are to be used in off-road conditions, please build a safety factor of 1.5 into this load limit. Although the alloy trays are tested and approved to AS1235-2000, Australian road conditions can be much more rigorous. However, increasing the number of mount points to the vehicle does not increase the vehicles maximum permissible

## Instructions

- 1** Fit Corner T Mouldings to the Frame End extrusions. A rubber mallet can be used to carefully tap the Moulding in place.



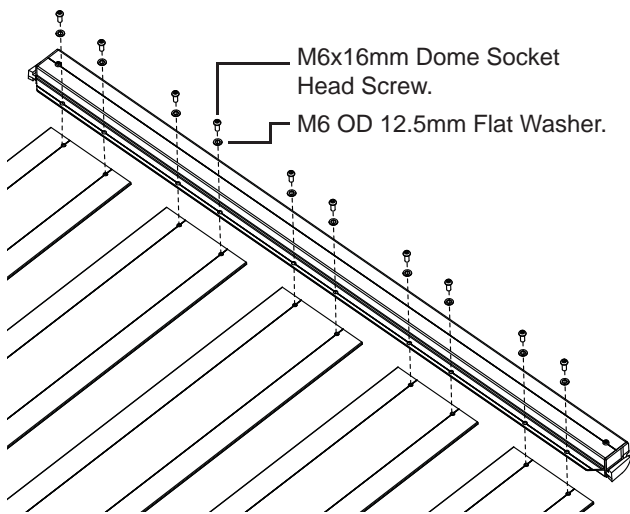
- 2** Fit the Plank Inserts into end of plank at both ends. Orientation of inserts is critical. Carefully tap the Inserts into place with a rubber mallet.



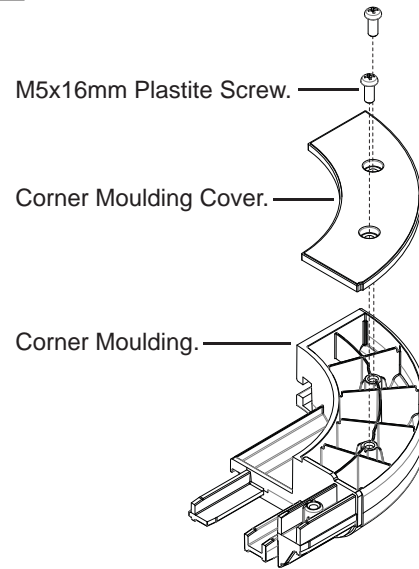


## Flat Pack - Pioneer Platform

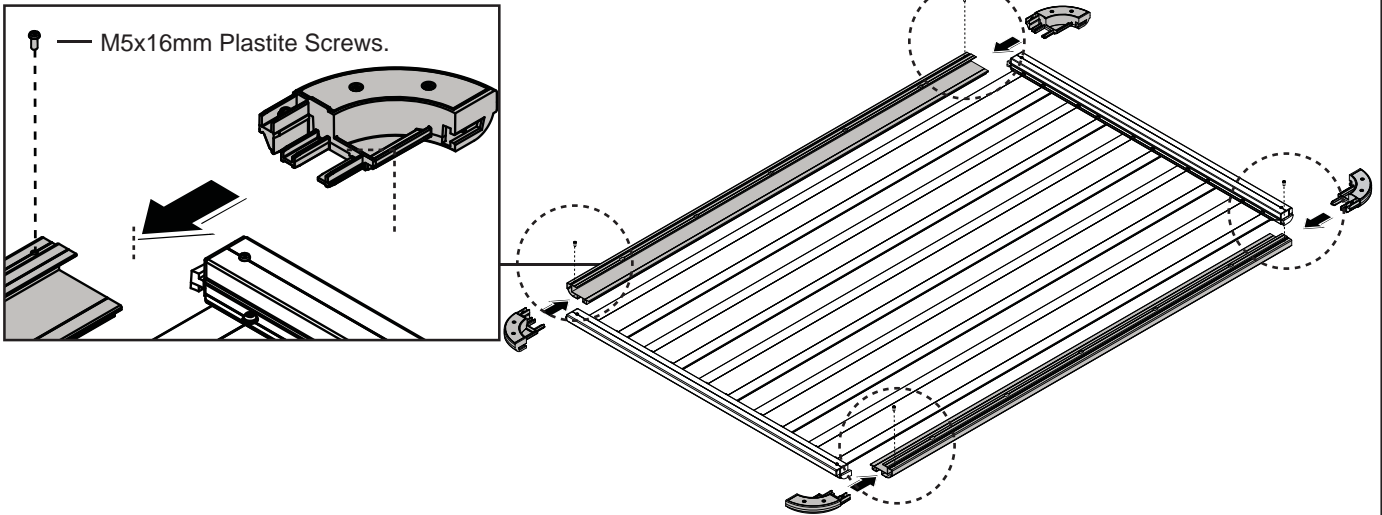
- 3** Lay planks upside down on floor, lower End Extrusions onto planks and fasten together using hardware supplied. Do the same for the other end.



- 4** Fit all four cover plates to corner mouldings as shown.



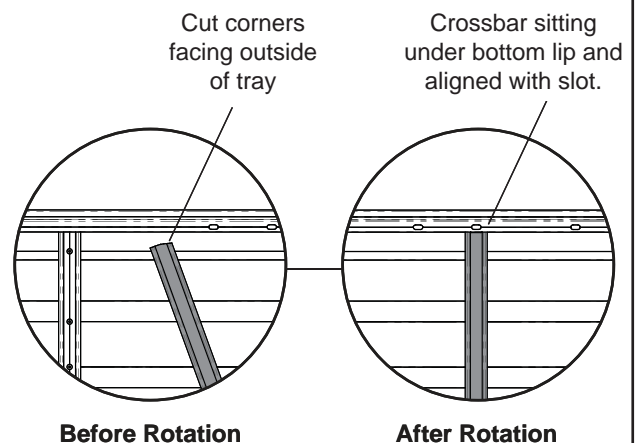
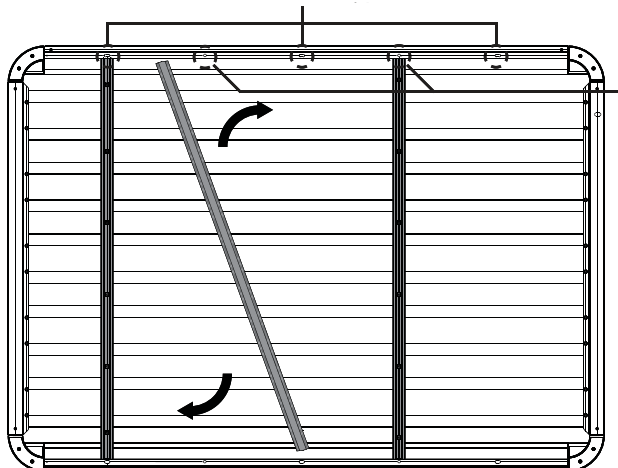
- 5** Place side extrusions upside down in position, slide corner mouldings onto T moulding and into extrusion simultaneously. Screw fix in position.



- 6** **Note: Image example only.** Find your vehicle specific layout at [the Rhino-Rack website](http://www.rhinorack.com). Individual fitment sheets exist for every vehicle and tray size available, they provide specific fitment information that is relevant to each individual vehicle.

Place the Crossbars in at an angle and rotate under the lip of the Frame Side Extrusions.

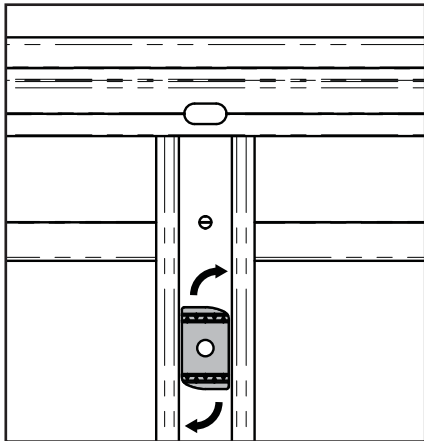
The Crossbar (Legs) will align with the oval hole.



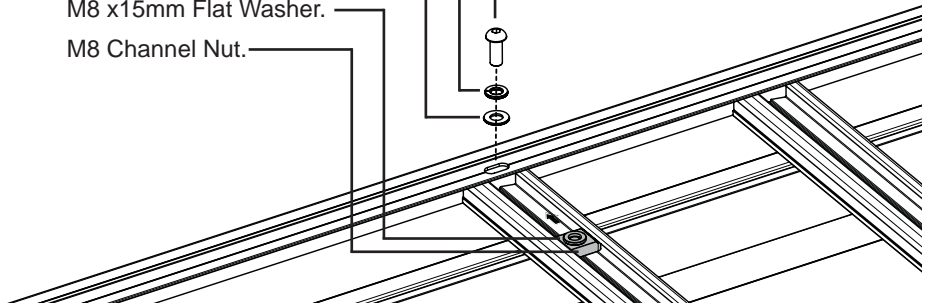


# Flat Pack - Pioneer Platform

**7** Place channel nut within the crossbar as shown below and rotate 90 degrees. Place M8x15mm Flat Washers on top of the channel nut and slide both to the outside of the tray so they sit under the slot. Proceed to fit remaining hardware as shown but do not tighten at this stage. Repeat this process for both ends of each crossbars.

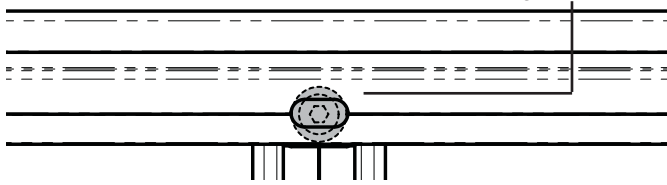


- M8x20mm Dome Head Screw.
- M8 Spring Washer.
- M8 Flat Washer OD17.
- M8 x15mm Flat Washer.
- M8 Channel Nut.



**8** Align crossbars so that the washer sits centred over the slot, you may need to tap the crossbar into position with a rubber mallet. Once the crossbar is in position tighten bolt with allen key provided.

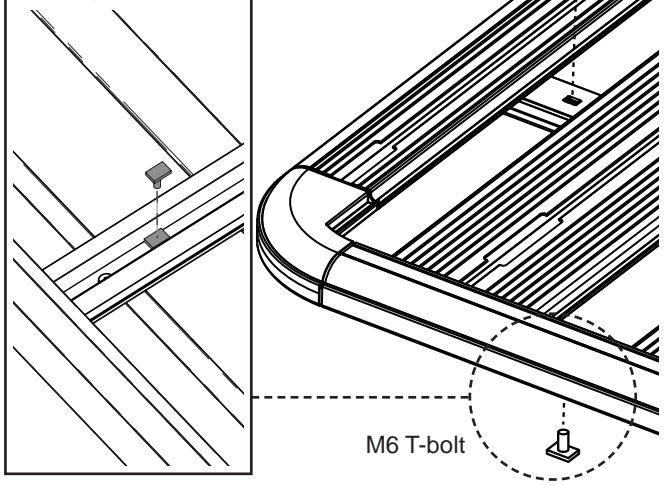
Washer aligned with slot.



**10a** Install the T-Bolts and plastic side tabs to the platform. Finger tighten only at this stage.

Underside View: The head of the T-Bolt will sit in the subtle groove that runs along the crossbar. Ensure T-Bolt locates correctly.

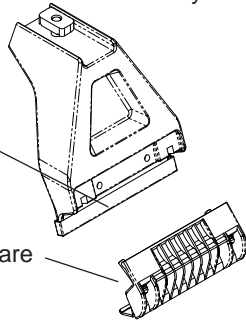
- M6 Nyloc Nut.
- M6 x 16mm Flat Washer.
- Plastic Side Tab.



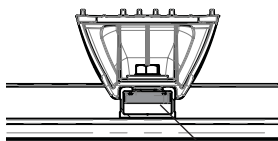
**9** If your fitment requires the use of RL legs remove the clamps from the legs as shown below. This makes positioning the tray on the vehicle much easier and ensures that the vehicle is not scratched by the metal clamps during fitment.

Rubber Foot

Removed Clamps and Clamp Hardware

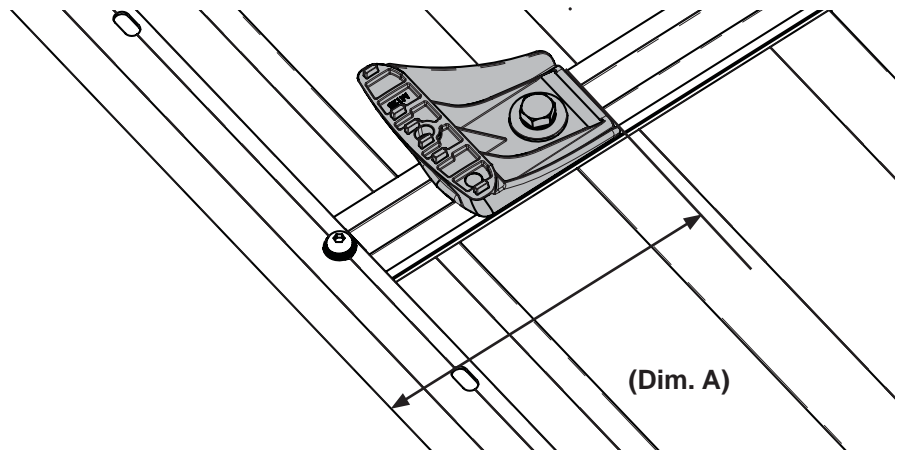


**10b** Fit the appropriate legs (as specified in Rhino Fit Guide) to the correct crossbars (previously fitted in step 6). Refer to the **Fitting Chart** for your vehicle for 'Dimension A'. Fasten each leg in this position making sure the channel nut rotates within the crossbar as shown below.



Channel nut must rotate and sit within crossbar

RLCP Leg Fitment Shown





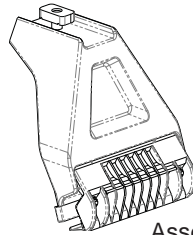
# Flat Pack - Pioneer Platform

**11 Fasten Legs to Vehicle.** Secure the tray to the vehicle by fastening each of the legs in position. Refer images below for the appropriate system being used on your vehicle:

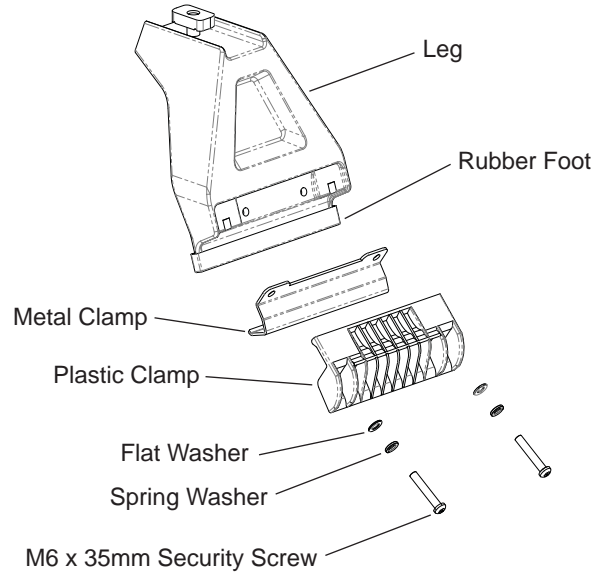
### RL Leg Fitment

Re-fit the clamp brackets and hardware previously removed in Step 10. Refer leg kit fitting instructions for details on fitting the clamps securely to the vehicle.

*Tip:* You may need to place a finger behind the leg and hold the dowel nut in position. This will also allow you to rotate the dowel nut to align the thread.

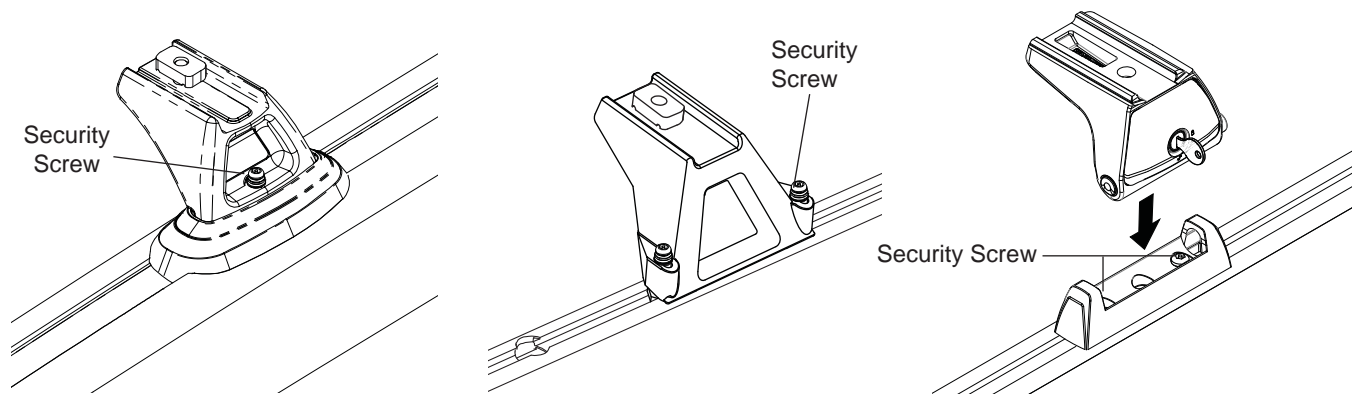


Assembled Leg

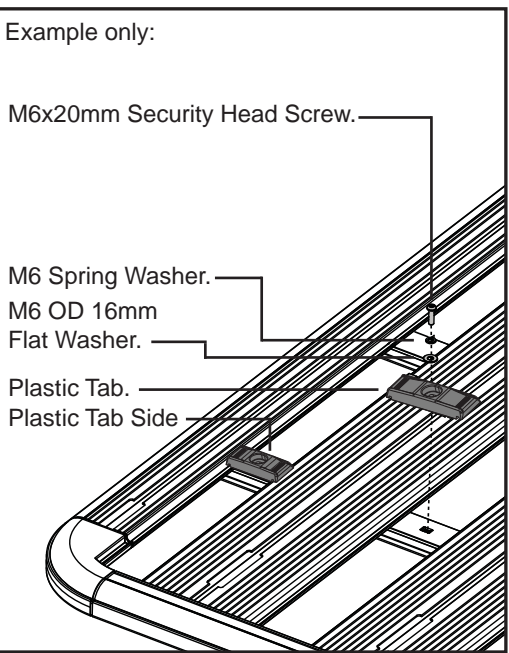


### 11 Continued RLCP, RLTP/RLTF & RLT600 Leg Fitment

Tighten security screws to secure the legs to the vehicle as shown below.



### 12 Install the Plastic Tabs. Tighten all Tabs, including the Side Tabs previously installed.



- Example only:
- M6x20mm Security Head Screw.
- M6 Spring Washer.
- M6 OD 16mm Flat Washer.
- Plastic Tab.
- Plastic Tab Side

