

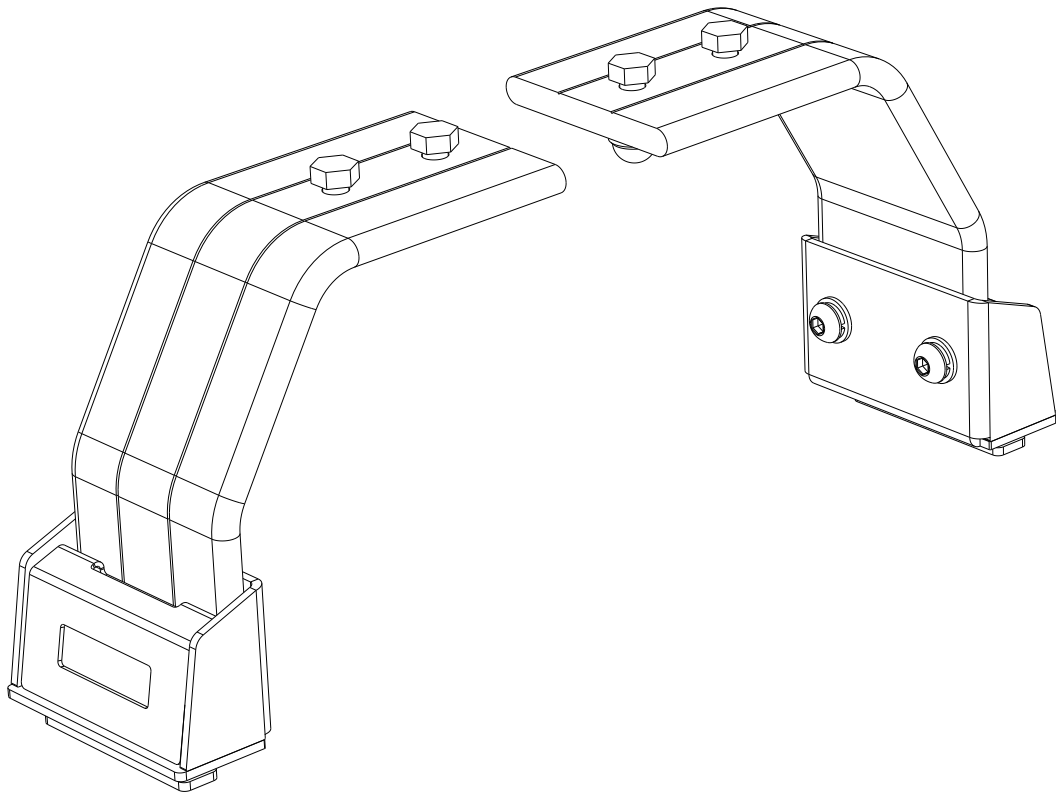


**FRONT RUNNER**  
VEHICLE OUTFITTERS

## PICK-UP ROLL TOP LEG MOUNT

ENG

LASS028



### READ ME !

Thank you for purchasing a Front Runner Pick-Up Roll Top Leg Mount.

Before you start, take a moment to familiarize yourself with the Fitting Instructions and the components received.

Refer to Page 2 for a list of all the components, quantities and tools required.

### IMPORTANT WARNING!

IT IS CRITICAL THAT ALL FRONT RUNNER PRODUCTS BE PROPERLY AND SECURELY ASSEMBLED AND ATTACHED TO YOUR VEHICLE. IMPROPER ATTACHMENT COULD RESULT IN AN AUTOMOBILE ACCIDENT, AND COULD CAUSE SERIOUS BODILY INJURY OR DEATH. YOU ARE RESPONSIBLE FOR ASSEMBLING AND SECURING ALL FRONT RUNNER PRODUCTS TO YOUR VEHICLE. CHECKING THE ATTACHMENTS PRIOR TO USE, AND PERIODICALLY INSPECTING THE PRODUCTS FOR ADJUSTMENT, WEAR AND DAMAGE. THEREFORE YOU MUST READ AND UNDERSTAND ALL OF THE INSTRUCTIONS AND PRECAUTIONS SUPPLIED WITH YOUR FRONT RUNNER PRODUCT PRIOR TO INSTALLATION OR USE. IF YOU DO NOT UNDERSTAND ALL OF THE INSTRUCTIONS AND CAUTIONS, OR IF YOU HAVE NO MECHANICAL EXPERIENCE AND ARE NOT THOROUGHLY FAMILIAR WITH THE INSTALLATION PROCEDURES, YOU SHOULD HAVE THE PRODUCT INSTALLED BY A PROFESSIONAL INSTALLER OR OTHER QUALIFIED PERSONNEL.

# 1

## GET ORGANIZED

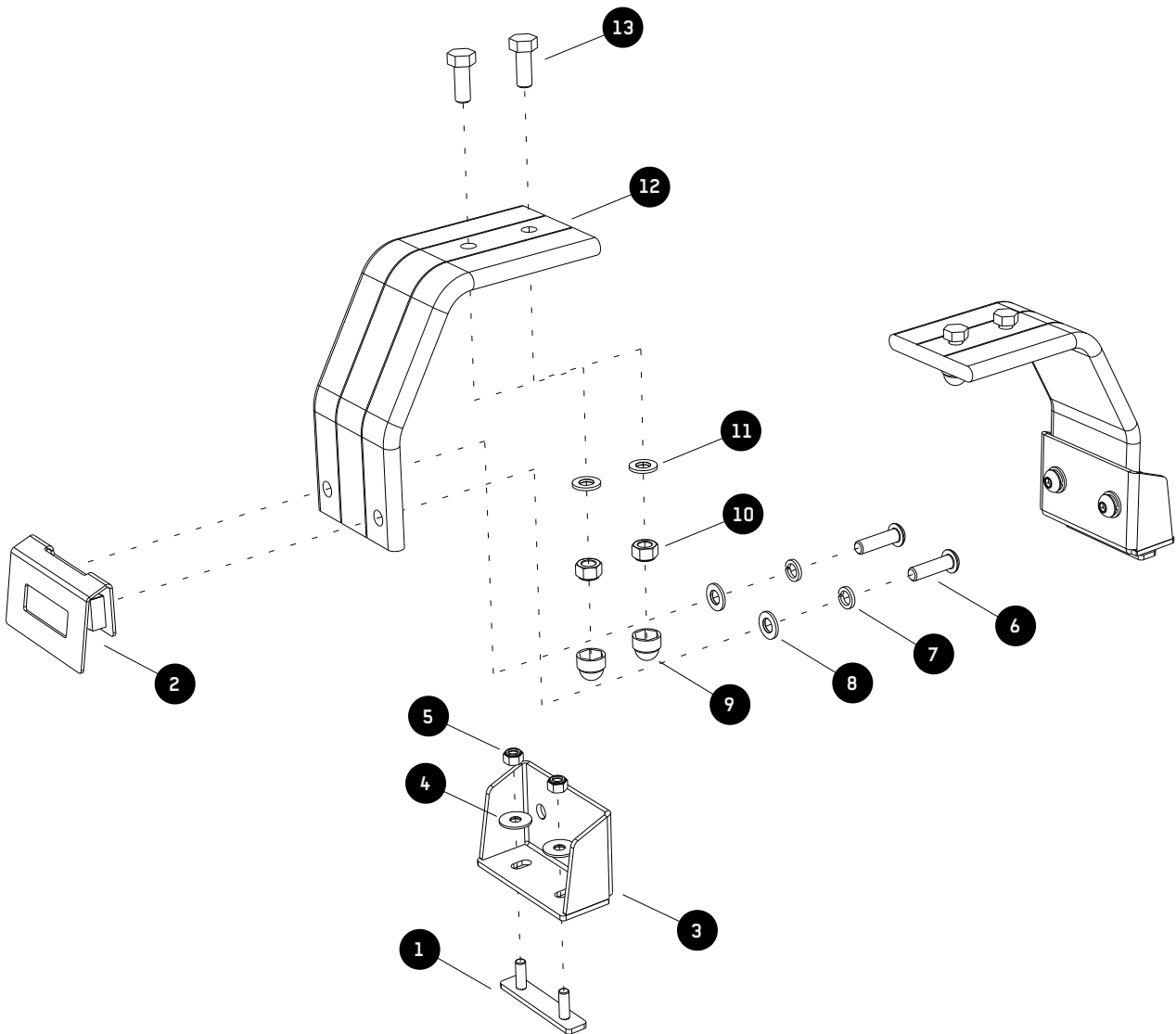
### IN THE BOX

1	2 X	M6 Stud Plate
2	2 X	Nut Plate
3	2 X	Leg Mount
4	4 X	M6 x 19 x 1SS Flat Washer
5	4 X	M6 Nyloc Nut
6	4 X	M8 x 30 Button Head
7	4 X	M8 Spring Washer
8	4 X	M8 x 19 x 2SS Flat Washer
9	4 X	M8 Nut Cap
10	4 X	M8 Nyloc Nut
11	4 X	M8 x 16 x 1.6SS Flat Washer
12	2 X	Leg
13	4 X	M8 x 25 Hex Bolt

### TOOLS NEEDED

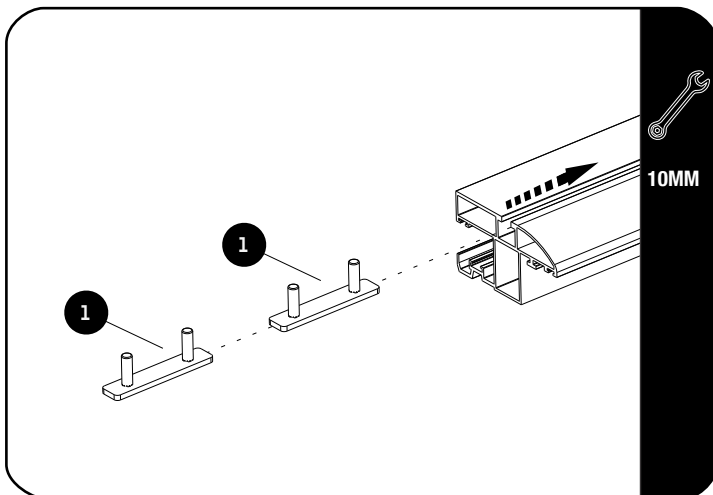


FIGURE 1.1



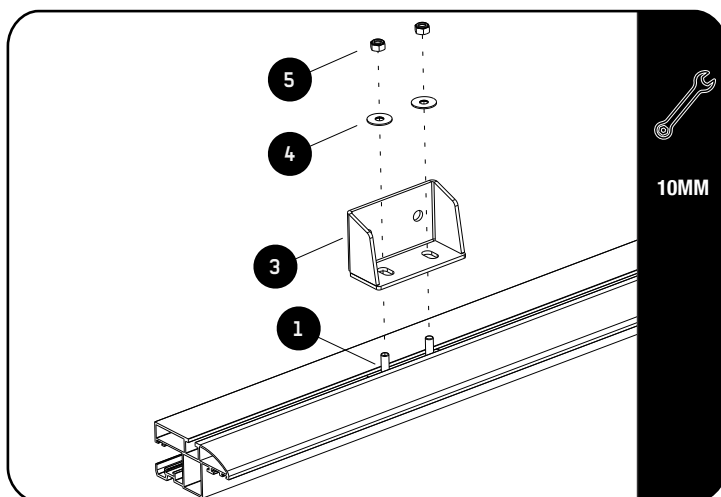
## 2 FIT AND SECURE

2.1



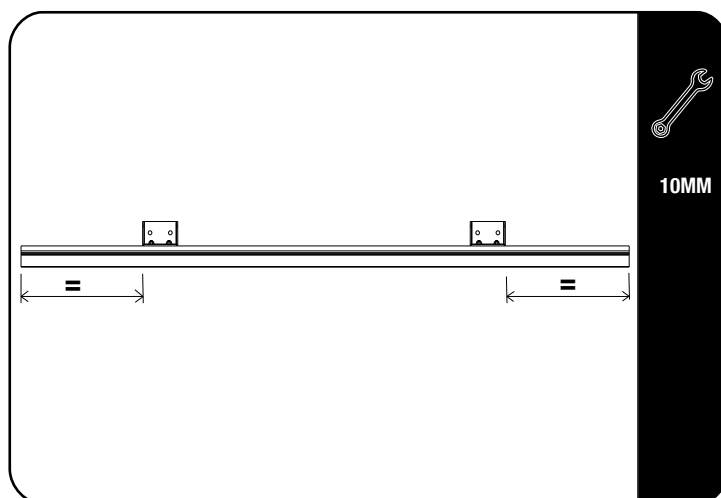
Slide two M6 Stud Plates (Item 1) into each side profile.  
(Two are needed per side to fit Load Bars or a Rack)

2.2



Loosely fit a Leg Mount (Item 3) to each of the Stud Plates using M6 x 19 x 1SS Flat Washers and M6 Nyloc Nuts (Items 4 & 5).

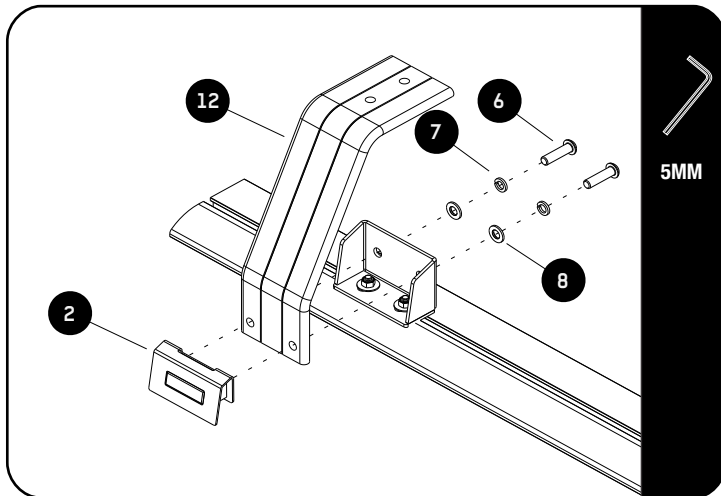
2.3



Looking from the side of the vehicle, position the Leg Mounts (Item 3) to center the Slimline II Rack or place Load Bars where desired over the load bed.

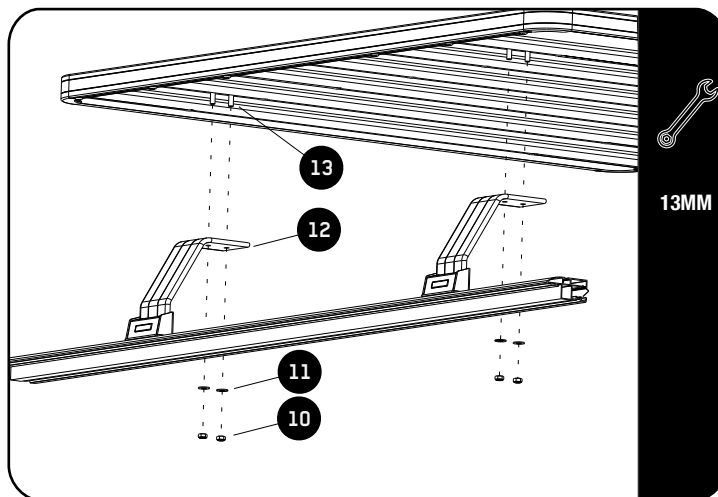
**2****FIT AND SECURE**

2.4



Assemble the Legs (Item 12) to the Leg Mount (Item 3) by using M8 x 20 Button Heads, M8 Spring Washers, M8 x 19 x 2SS Flat Washers (Items 6, 7 & 8) and the Nut Plates (Items 2).

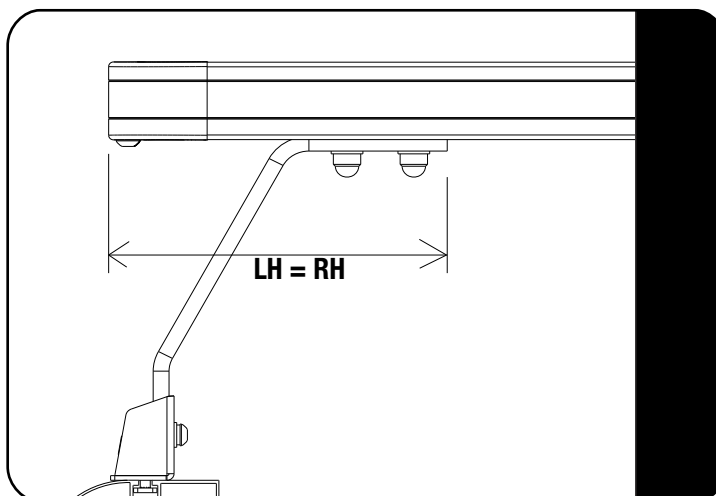
2.5



Loosely fit your Slimline II Rack by using M8 x 25 Hex Bolts, M8 x 16 x 1.6SS Flat Washers and M8 Nylocs (Items 10, 11, 13) as shown.

You can use the same method for Load Bars.

2.6



Center the rack on the Legs before fully tightening (LH = RH).

Finish of by placing M8 Nut Caps (Item 9) over all M8 Nyloc Nuts.

Use the same method for Load Bars.

3

## COMPLETION

3.1



**Congratulations! You did it. Take a step back and admire your work!**

4

**Front Runner will not be responsible for any damage caused by the failure to install the product according to these instructions. Please call us if you have any questions about the installation of this product.**

5

## INSTALL OTHER VEHICLE AND RACK ACCESSORIES

**Now's the time to visit your favorite Front Runner Dealer in person or Online.**

**Be sure to tag us. We love to see our gear in action! #FrontRunnerOutfitters #BornToRoam**

**Share your adventures on:** 