

# GOBI JEEP JK AEV BRUTE DOUBLE CAB REAR LADDER PASSENGER AND OR DRIVER SIDE INSTALLATION INSTRUCTIONS

## Guidelines:

When using Load Carriers and Accessories, the user must understand the precautions. The points listed below will assist you in using the rack /carrier system and will encourage safety.

- For quality fits and safety, use only the recommended rack or accessory. Do not assume an accessory will fit, always check with dealer when obtaining new accessories. Use only approved accessories on load carriers. Using other brands will void your warranty.
- Make sure all knobs, bolts, screws, straps, and locks are firmly attached, tightened and locked before every trip. Knobs, bolts, screws, straps, and locks must be periodically inspected for signs of wear, corrosion, and fatigue. Check your load at stops during the trip to insure continued fastening security.
- Check local and state laws governing projection of objects beyond the width of a vehicle. **Be aware of the width and height of your cargo since low clearance branches, bridges, and parking garages can affect the load** All cargo will affect the vehicle's driving behavior. Never drive with any lock, knob, or rack in an open or unlocked position. All long loads such as, but not limited to sailboards, surfboards, kayaks, canoes, and lumber must be tied down front and rear to the bumpers or tow hooks, of the vehicle.
- Remove your rack accessories when they are not in use, before entering car washes, prior to taking in your vehicle for service, and whenever clearance may be an issue.
- All locks must be turned and moved periodically to insure smooth operation. Use graphite or similar dry lubricant to help this. Locks are designed to deter vandalism and theft. Remove valuable gear if your vehicle is unattended for an extended period. Place at least one key in the glove compartment.
- For safety to your vehicle and rack system, obey all posted speed limits and traffic cautions. Adapt your speed to the conditions of the road and the load being carried.
- Do not use load carriers and accessories for purposes other than those for which they were designed. Do not exceed their carrying capacity.
- Consult with your dealer if you have any questions regarding the operations and limits of this product. Review all instructions carefully.

**READ ALL INSTRUCTIONS CAREFULLY PRIOR TO INSTALLATION**

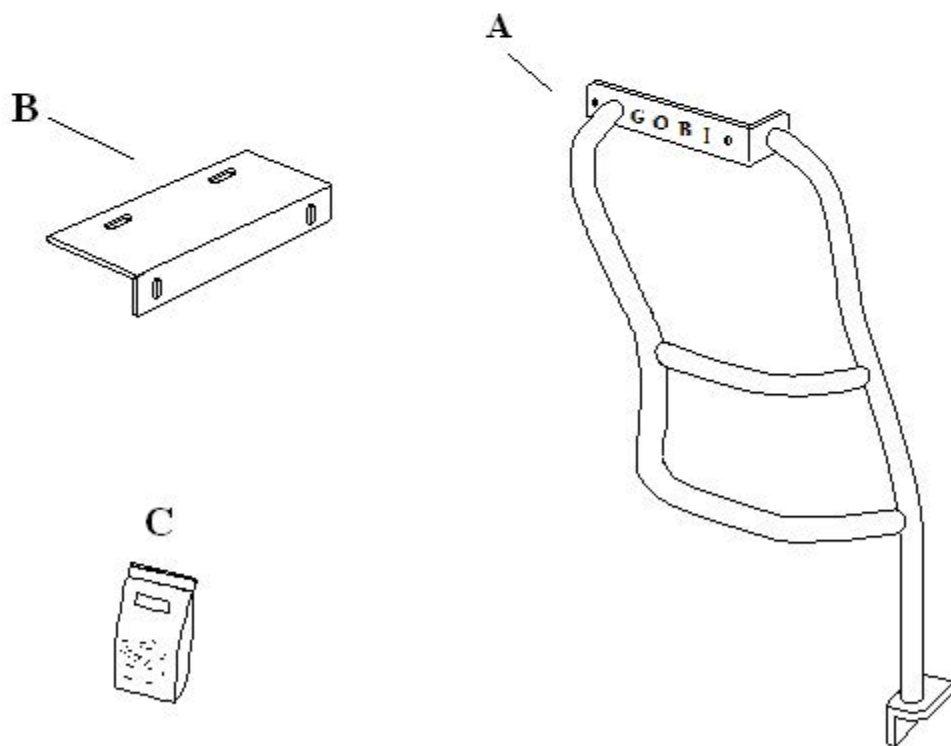
# GOBI JEEP JK AEV BRUTE DOUBLE CAB REAR LADDER

## PASSENGER AND OR DRIVER SIDE

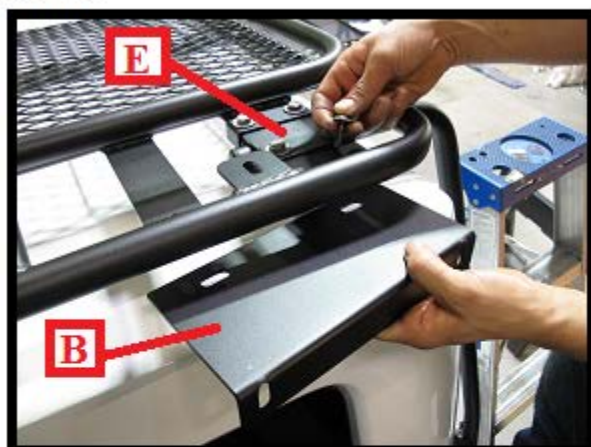
### INSTALLATION INSTRUCTIONS

Included in kit

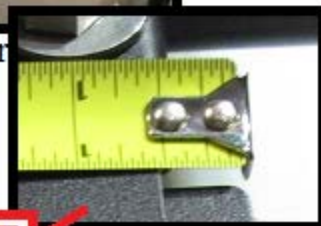
Letter	Description	Location	Quantity
A	GOBI JEEP JK AEV BRUTE DOUBLE CAB LADDER	Main box	1
B	HANGER PLATE	Strapped to Ladder	1
C	GOBI LADDER MOUNTING HARDWARE CONTENTS: 4- 5/16-18 x 1" SS Button Head Screw 8- 5/16" SS Flat washers 4 5/16" Nylok nuts 1- 3/8-16 x 1" SS Hex Head Bolt 2- 3/8" SS Flat Washer 1- 3/8" Nylok nut 1- Packet of Anti-seize lubricant	BAG #1 Hardware Box	1



**CAUTION: MAKE CERTAIN TO USE ANTI-SEIZE LUBRICANT ON ALL SCREWS PRIOR TO INSTALL**

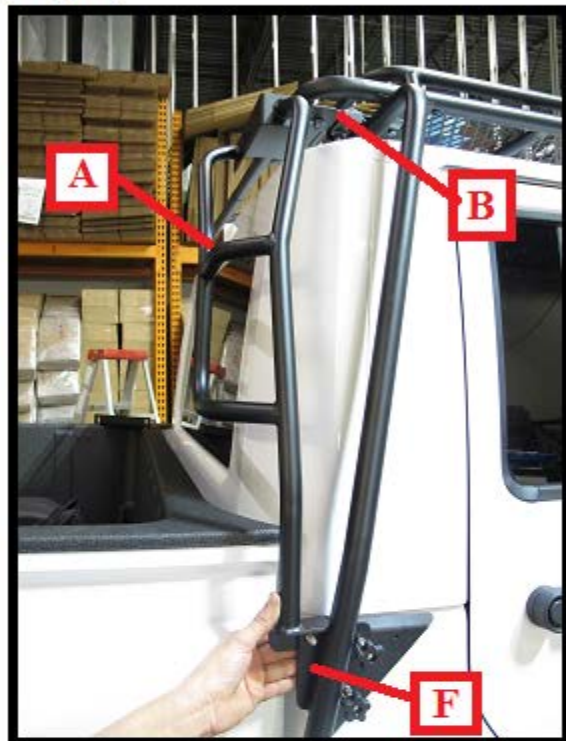
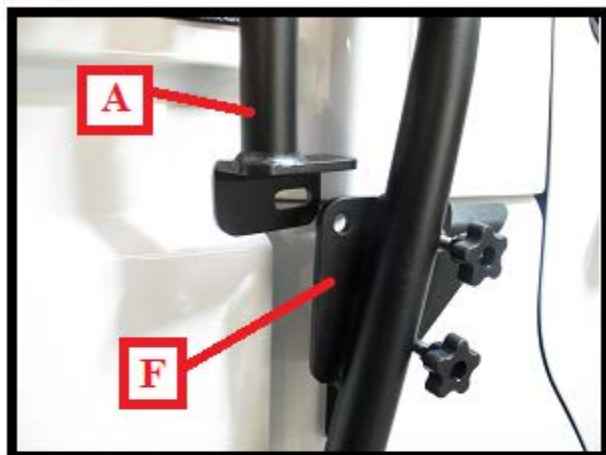
**GOBI JEEP JK AEV BRUTE DOUBLE CAB REAR LADDER  
PASSENGER AND OR DRIVER SIDE****INSTALLATION INSTRUCTIONS****Fig. 1****Fig. 2**

Remove ladder hanger plate (B) as shown in Fig. 2 from ladder packaging. Refer to the parts breakdown on page 2 and remove from Bag #1 two 5/16-18 x 1" SS button head screws, four 5/16" SS flat washers and two 5/16" nylock nuts. Place one 5/16 screw with flat washer through the top of the roof rack ladder mounting plate (E) and down into hanger plate (B) as shown in Fig. 2. Secure in place with one 5/16" flat washer and nylock nut, allow for some movement. Apply the same procedure to the second hanger plate support screw.

**Fig. 3****Fig. 4****Fig. 5**

Once both screws are holding hanger plate (B) to the rear passenger side corner of the roof rack (C) adjust the hanger plate so that the end of the hanger plate sits approximately 2" from the rear of roof rack (C) as shown in Fig. 3 and 1/2" to the right of the roof rack ladder support plate (E) as shown in Fig. 4 and exploded view Fig. 5 then fully tighten in place.

## GOBI JEEP JK AEV BRUTE DOUBLE CAB REAR LADDER PASSENGER AND OR DRIVER SIDE INSTALLATION INSTRUCTIONS

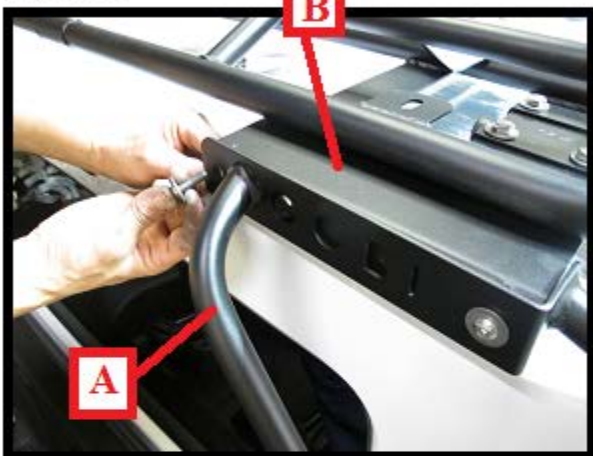
**Fig. 6****Fig. 7**

Place ladder (A) up against hanger plate (B) and onto the rear support bar flange (F) as shown in Fig. 6 and Fig. 7. Remove from your hardware kit one 3/8-16 x 1" SS hex head screw, two 3/8" flat washers and one 3/8" nylock nut. Slip the hex screw and washer from the rear of the ladder into the rear support bar flange (F) as shown in Fig. 6. You may need help holding the ladder in place during this procedure.

**Fig. 8**

Place one 3/8" flat washer and nylock nut on the screw as shown in Fig. 8 and snug down in place. Do not fully tighten at this time.

## GOBI JEEP JK AEV BRUTE DOUBLE CAB REAR LADDER PASSENGER AND OR DRIVER SIDE INSTALLATION INSTRUCTIONS

**Fig. 9****Fig. 10**

Remove from your hardware kit two 5/16-18 x 1" SS button head screws, four 5/16" flat washers and two 5/16" nylock nuts. Slip one 5/16-18 x 1" button head screw and flat washer through ladder (A) then into hanger plate (B) as shown in Fig. 9 and Fig. 10 both mounting holes of ladder (A) then snug down in place using a 5/16" flat washer and nylock nut per screw.

**Fig. 11**

Fully tighten lower ladder screw and nut using a 9/16 socket and closed end wrench. Continue back to the top of the ladder (A) and fully tighten both 3/16 button head screws and nuts using a 5/16" Allen wrench and 1/2" open end wrench.

# GOBI JEEP JK AEV BRUTE DOUBLE CAB REAR LADDER

PASSENGER AND OR DRIVER SIDE

## INSTALLATION INSTRUCTIONS



**INSTALLATION COMPLETED**