



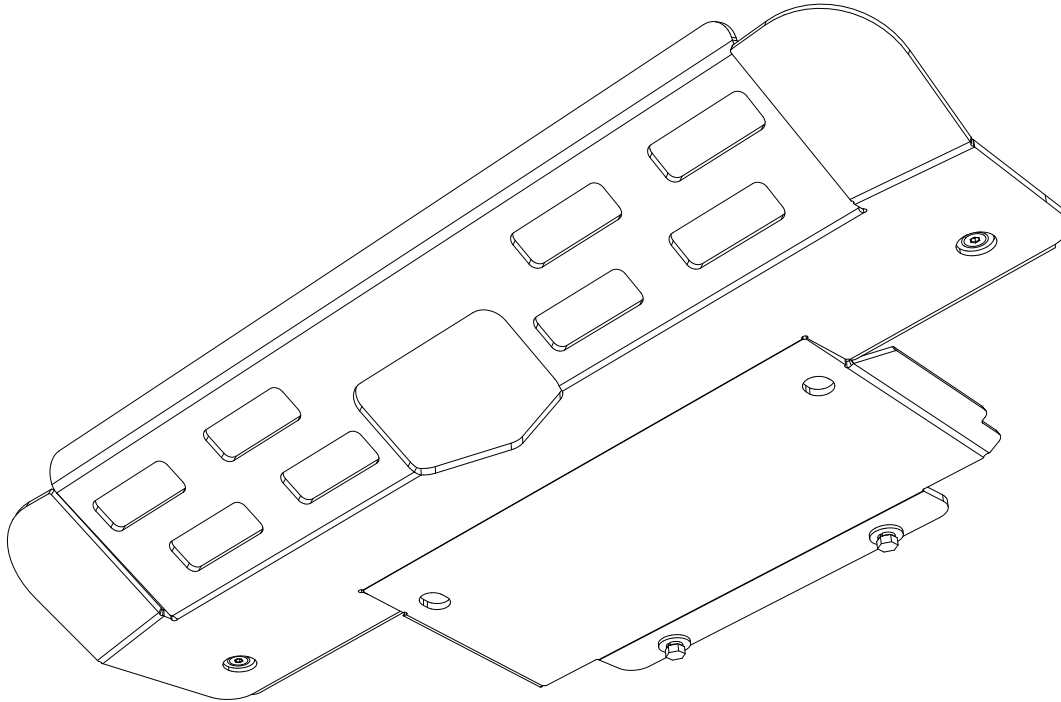
FRONT RUNNER
VEHICLE OUTFITTERS

SUMP GUARD

LAND ROVER DISCOVERY LR3 (2004 - 2009)

ENG

SGLD007



READ ME! ⚠

Thank you for purchasing a Front Runner Sump Guard.

Before you start, take a moment to familiarize yourself with this Fitting Instruction and the components received.

Refer to Page 2 for a list of all the components, quantities and tools required.

IMPORTANT WARNING! ⚠

IT IS CRITICAL THAT ALL FRONT RUNNER PRODUCTS BE PROPERLY AND SECURELY ASSEMBLED AND ATTACHED TO YOUR VEHICLE. IMPROPER ATTACHMENT COULD RESULT IN AN AUTOMOBILE ACCIDENT, AND COULD CAUSE SERIOUS BODILY INJURY OR DEATH. YOU ARE RESPONSIBLE FOR ASSEMBLING AND SECURING ALL FRONT RUNNER PRODUCTS TO YOUR VEHICLE. CHECKING THE ATTACHMENTS PRIOR TO USE, AND PERIODICALLY INSPECTING THE PRODUCTS FOR ADJUSTMENT, WEAR AND DAMAGE. THEREFORE YOU MUST READ AND UNDERSTAND ALL OF THE INSTRUCTIONS AND PRECAUTIONS SUPPLIED WITH YOUR FRONT RUNNER PRODUCT PRIOR TO INSTALLATION OR USE. IF YOU DO NOT UNDERSTAND ALL OF THE INSTRUCTIONS AND CAUTIONS, OR IF YOU HAVE NO MECHANICAL EXPERIENCE AND ARE NOT THOROUGHLY FAMILIAR WITH THE INSTALLATION PROCEDURES, YOU SHOULD HAVE THE PRODUCT INSTALLED BY A PROFESSIONAL INSTALLER OR OTHER QUALIFIED PERSONNEL.

1

GET ORGANIZED

Here is what you are looking at for SGLD007

IN THE BOX

1	1 X	Sump Guard
2	2 X	M10 Nyloc Nut
3	6 X	M10x30x3 Flat Washer
4	4 X	36x12x6 Rubber Spacer
5	2 X	M16 Flat Washer
6	2 X	M10x40 Counter Sink Capscrew
7	2 X	25x19x12 Aluminum Spacer
8	2 X	M10 Spring Washer
9	2 X	M10x40 Hex Bolt

TOOLS NEEDED

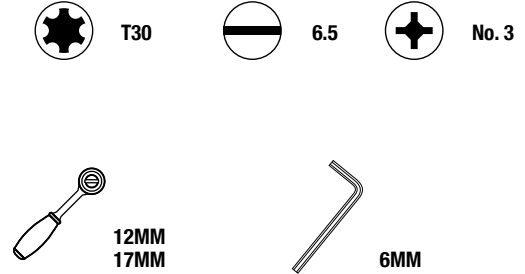
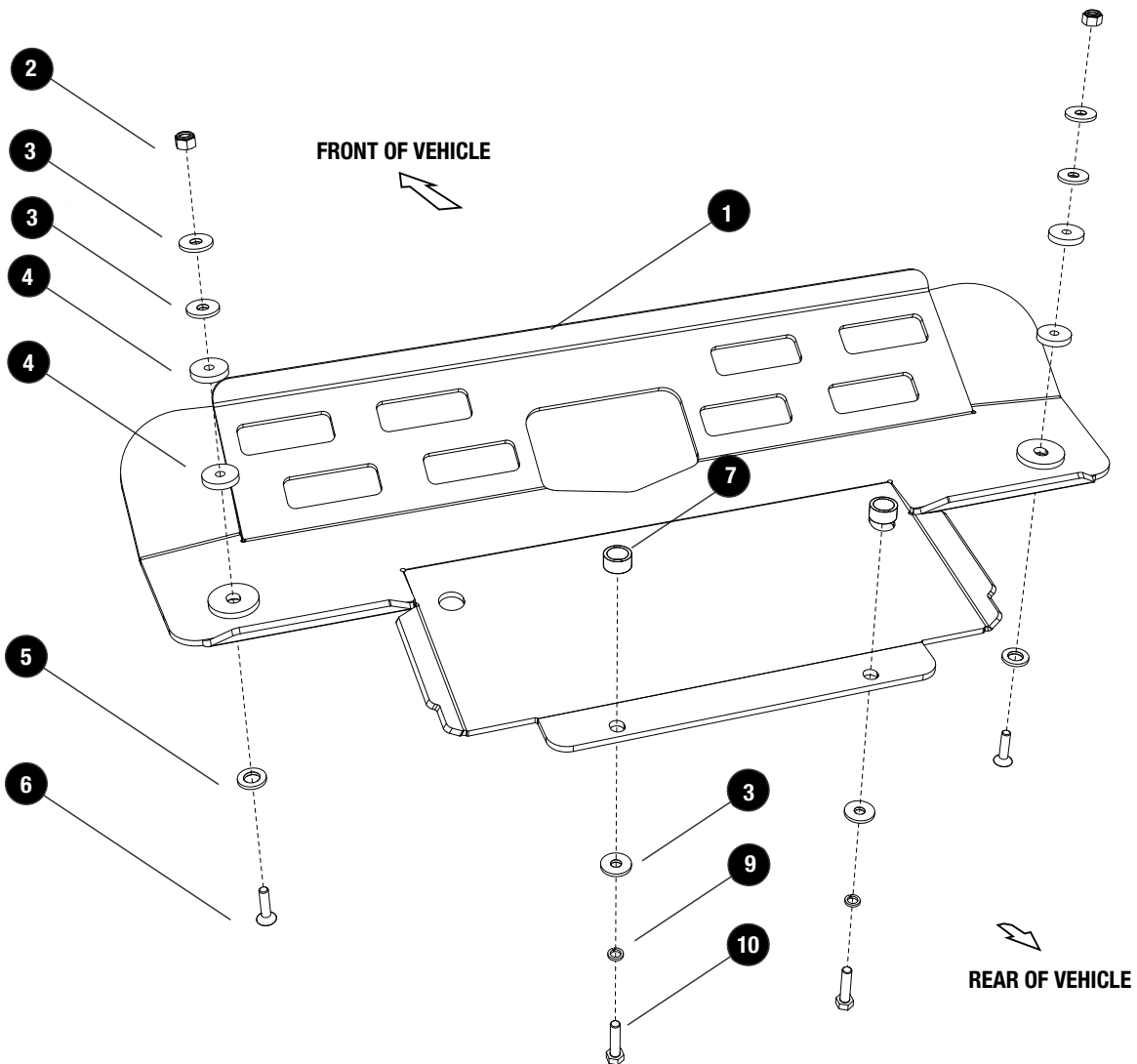
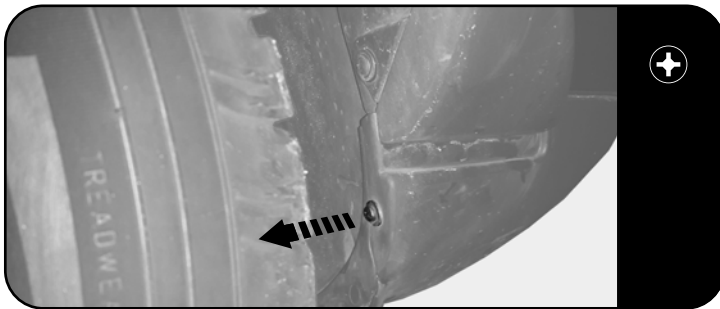


FIGURE 1.1



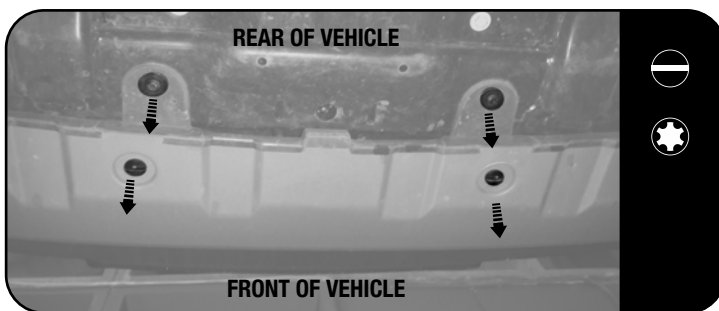
2 PREPARATION

2.1



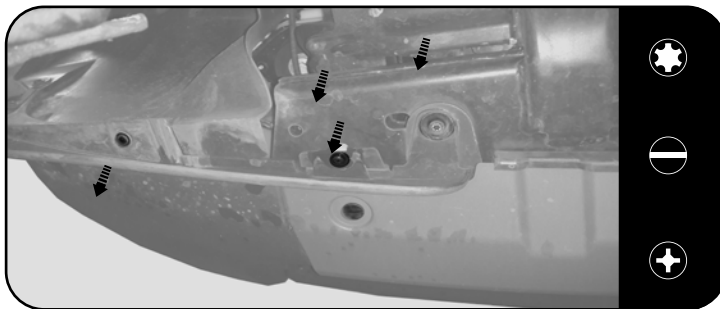
Remove fastener shown left and right side of the vehicle.

2.2



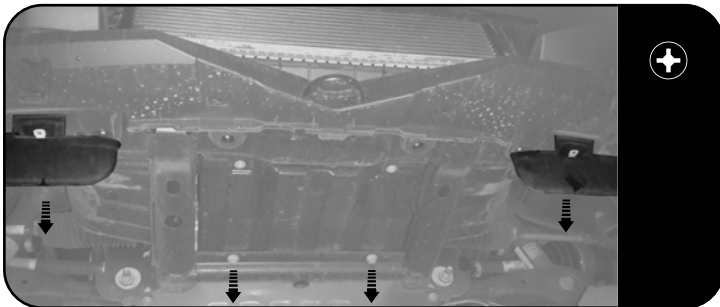
Remove fasteners as indicated

2.3



Remove fasteners as indicated / LH & RH side

2.4

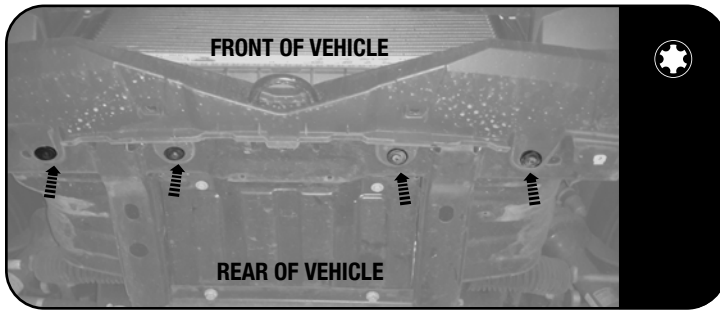


Remove fasteners, 2 wind diffusers & central front plastic component.

3

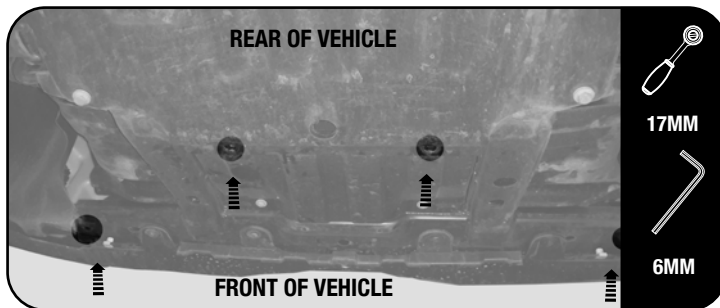
SECURE AND REFIT

3.1



Refit and Secure Fasteners removed in step 2.2 & 2.3

3.2



Use 4 points indicated for securing the Guard to vehicle. See diagram 1.1 for reference.

Tightening Torque 40Nm

3.2



Congratulations. You did it. Take a step back and admire your work!

4

INSTALL OTHER VEHICLE AND RACK ACCESSORIES

Now's the time to visit your favorite Front Runner Dealer in person or online.