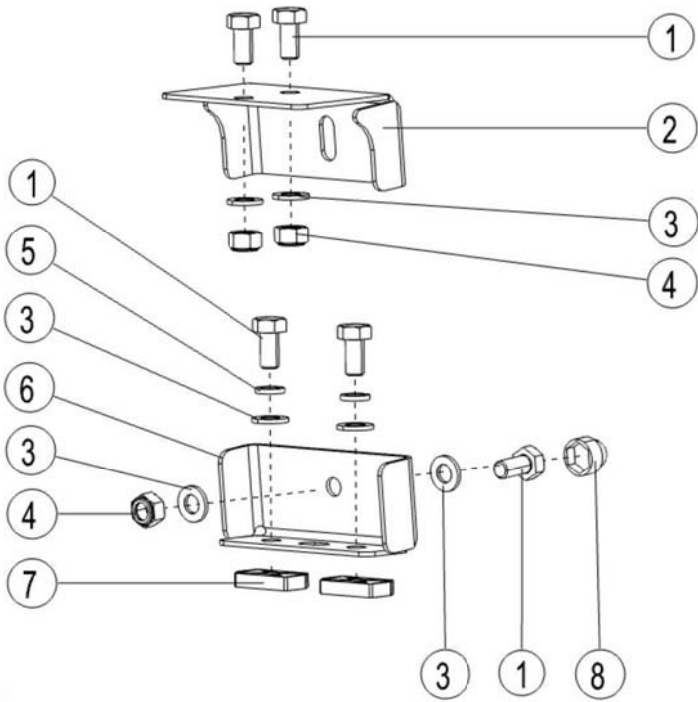
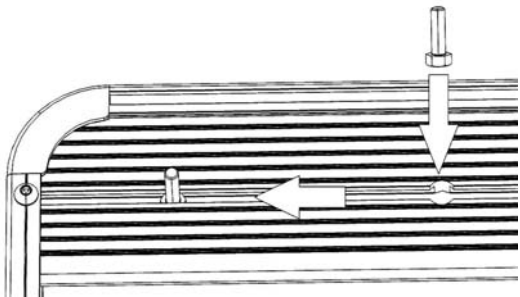
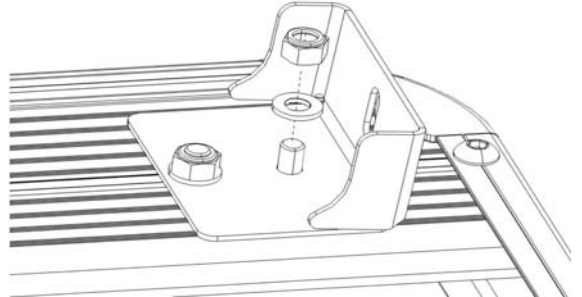
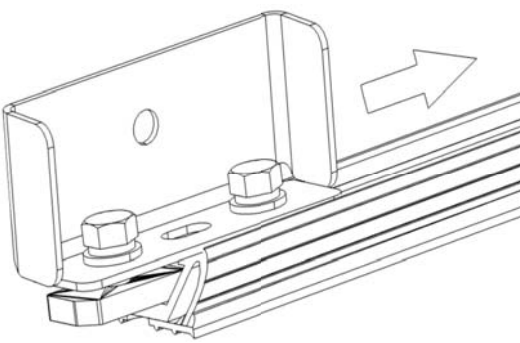


**1**

You will need:

- a 13mm Flat Wrench
- a Tape Measure
- a Friend

Item #	Quantity	Description
1	5	M8x16 HEX BOLT
2	1	TOP FOOT
3	6	M8 FLAT WASHER
4	3	M8 NYLOC NUT
5	2	M8 SPRING WASHER
6	1	BOTTOM FOOT
7	2	M8 STUD PLATE
8	1	M8 PLASTIC NUT CAP

2**3****4****5**