



FRONT RUNNER
VEHICLE OUTFITTERS

**UNIVERSAL TRACK
NON DRILLED _ 1800MM(L)**

Lorem ipsum

ENG

TRAC010

START HERE!

READ ME FIRST

Don't be a hero and muscle through this without first reading these fitting instructions! Improper installation of this gear may void certain aspects of your warranty.

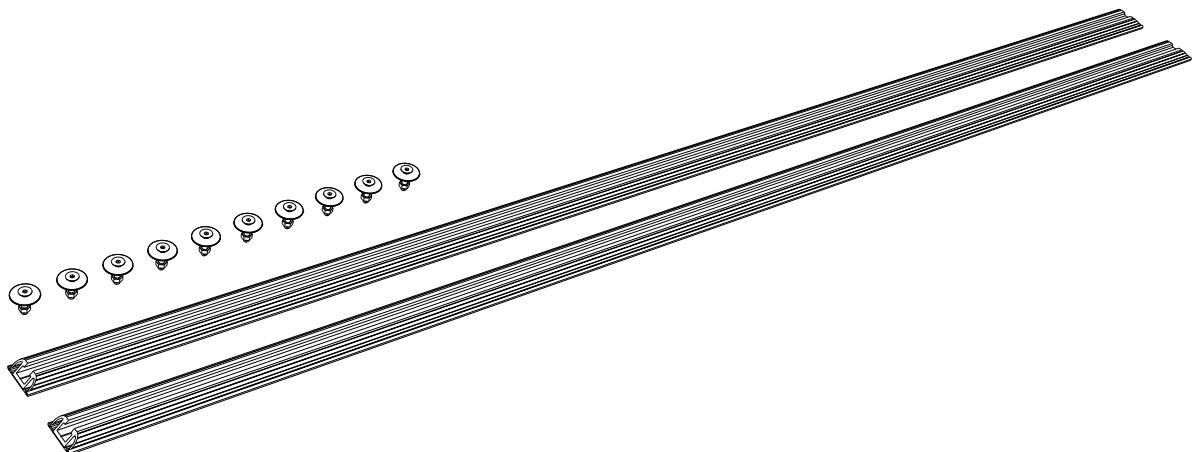
Before you begin, take a moment and open all your Front Runner rack kit boxes and gather the assembly instructions for the various components.

A complete kit will contain:

1. A Front Runner Mounting System specific to your vehicle
2. A Front Runner Rack Tray or Load Bar Slats

This document will guide you through the assembly of the mounting system and assist you in fitting the roof rack tray or load bars to your specific vehicle.

Please refer to the next page for a list of all the components, quantities and tools required.



IMPORTANT WARNING!

FRONT RUNNER CAN NOT RECOMMEND A MAXIMUM LOAD CARRYING CAPACITY. PLEASE REFER TO YOUR VEHICLE MANUFACTURER'S RECOMMENDATIONS. IT IS CRITICAL THAT ALL FRONT RUNNER PRODUCTS BE PROPERLY AND SECURELY ASSEMBLED AND ATTACHED TO YOUR VEHICLE. IMPROPER ATTACHMENT COULD RESULT IN AN AUTOMOBILE ACCIDENT, AND COULD CAUSE SERIOUS BODILY INJURY OR DEATH. YOU ARE RESPONSIBLE FOR ASSEMBLING AND SECURING ALL FRONT RUNNER PRODUCTS TO YOUR VEHICLE. CHECKING THE ATTACHMENTS PRIOR TO USE, AND PERIODICALLY INSPECTING THE PRODUCTS FOR ADJUSTMENT, WEAR AND DAMAGE. THEREFORE YOU MUST READ AND UNDERSTAND ALL OF THE INSTRUCTIONS AND PRECAUTIONS SUPPLIED WITH YOUR FRONT RUNNER PRODUCT PRIOR TO INSTALLATION OR USE. IF YOU DO NOT UNDERSTAND ALL OF THE INSTRUCTIONS AND CAUTIONS, OR IF YOU HAVE NO MECHANICAL EXPERIENCE AND ARE NOT THOROUGHLY FAMILIAR WITH THE INSTALLATION PROCEDURES, YOU SHOULD HAVE THE PRODUCT INSTALLED BY A PROFESSIONAL INSTALLER OR OTHER QUALIFIED PERSONNEL.

1

GET ORGANIZED

IN THE BOX

1	2 X	Track 1800mm Long
2	2 X	Rubber Strip 1800mm Long
3	10 X	M6 X 30 Countersink Screw
4	10 X	M6 x 30 x 1 Flat Washer
5	10 X	M6 Nyloc Nut

TOOLS NEEDED

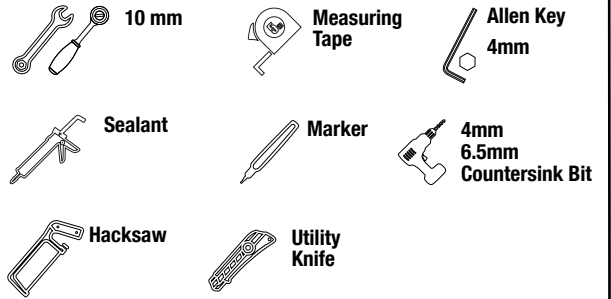
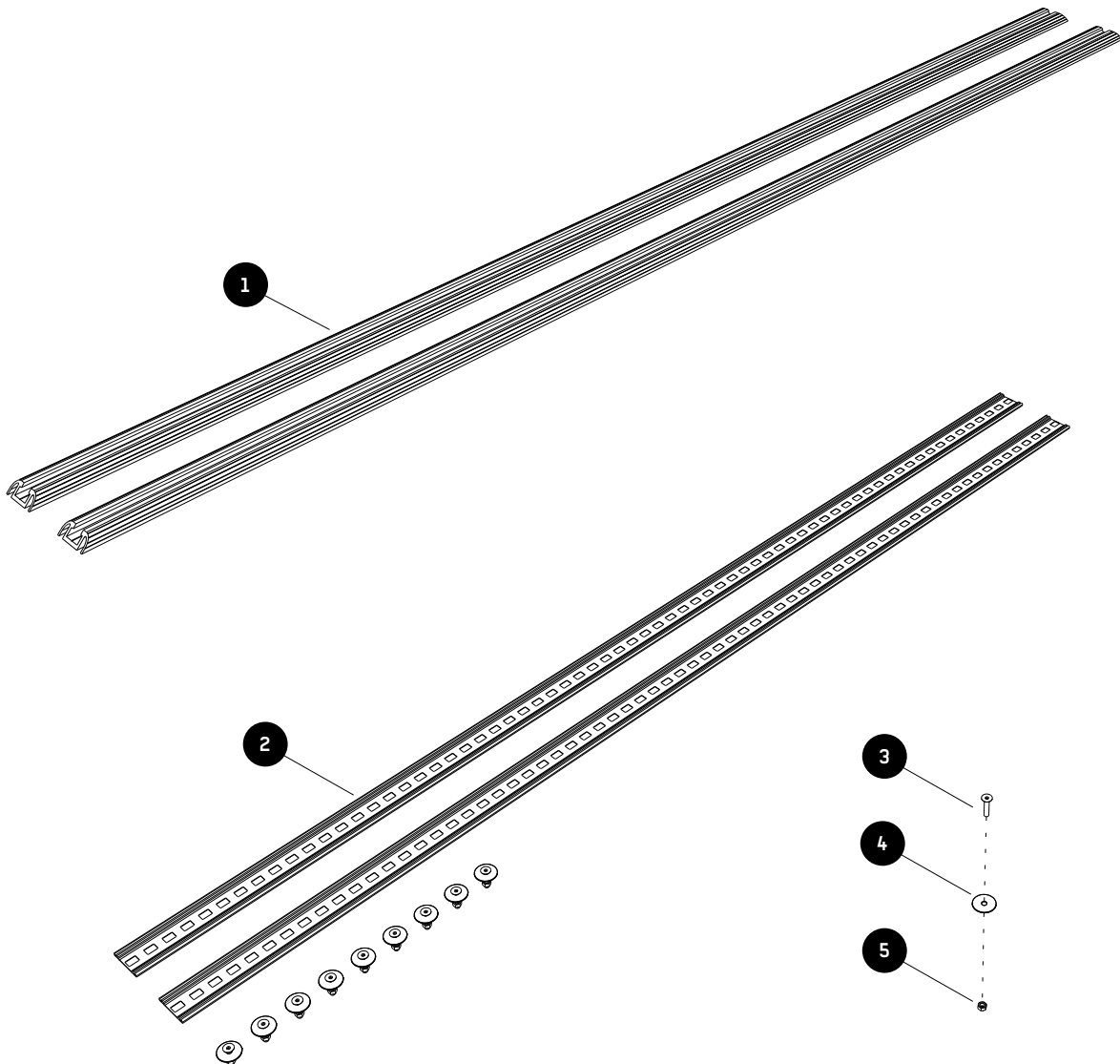


FIGURE 1.1



2

FIT AND SECURE

2.1

Determine the best possible position for mounting the tracks.

Make sure that the mounting points are clear of any hidden reinforcements that may cause complications when installing the hardware.

2.2

Measure and trim the Tracks to the desired length. Trim at 45 degree angle and match on opposite side. Use a satin black paint to touch up (not included).



2.3

Drill holes in the Track. Measure 30mm from each end of the track and make a mark. According to the amount of fasteners you are going to use, equally space the rest of the holes on the track. Drill a 4mm pilot hole on all the marks you have made. Open the pilot holes to 6.5mm. Countersink all holes to suit M6 Countersink Screw.



2.4

Once you are happy with the placement of the track, mark all the holes using a suitable marking pen.



2.5

Drill a 4mm pilot hole on all the marks you have made. Open the pilot holes to 6.5mm.

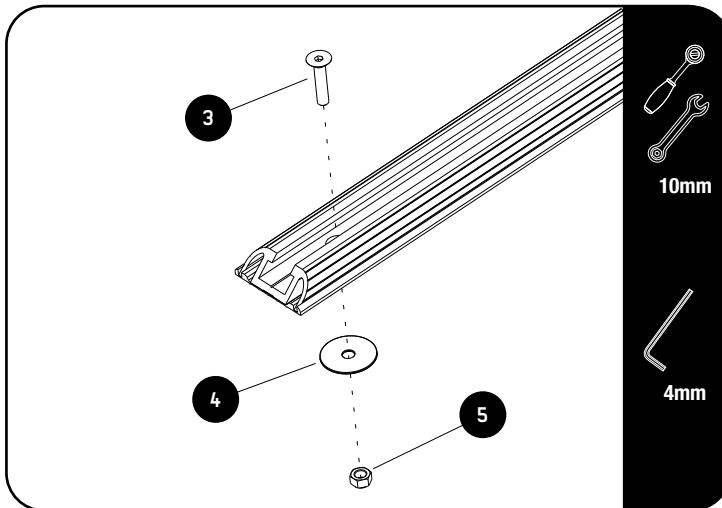


2.6

Apply a bead of suitable sealant to each hole drilled in step 2.4.



2.7



Fit and secure the track using M6 x 30 Countersink Screws, M6 x 30 x 1 Flat Washers and M6 Nyloc Nuts (Items 3, 4 & 5).

3

COMPLETION

Congratulations. You did it. Take a step back and admire your work!

4

INSTALL OTHER VEHICLE AND RACK ACCESSORIES

Now's the time to visit your favorite Front Runner Dealer in person or Online.