

START HERE! READ ME FIRST

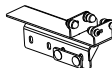
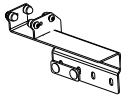
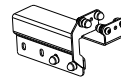
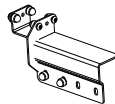
Don't be a hero and muscle through this installation without reading these fitting instructions first! Improper installation of this gear may void certain aspects of your warranty.

Before you begin, take a moment and open all your Front Runner Rack Kit boxes and gather the assembly instructions for the various components.

A complete kit will contain:

1. Front Runner Mounting System specific to your vehicle
2. Front Runner Rack Tray or Load Bar Slats

This document will guide you through the assembly of the Mounting System and assist you in fitting the Rack tray or Load Bars to your specific vehicle. Please refer to the next page for a list of all the components, quantities and tools required.



IMPORTANT WARNING!

IT IS CRITICAL THAT ALL FRONT RUNNER PRODUCTS BE PROPERLY AND SECURELY ASSEMBLED AND ATTACHED TO YOUR VEHICLE. IMPROPER ATTACHMENT COULD RESULT IN AN AUTOMOBILE ACCIDENT, AND COULD CAUSE SERIOUS BODILY INJURY OR DEATH. YOU ARE RESPONSIBLE FOR ASSEMBLING AND SECURING ALL FRONT RUNNER PRODUCTS TO YOUR VEHICLE, CHECKING THE ATTACHMENTS PRIOR TO USE, AND PERIODICALLY INSPECTING THE PRODUCTS FOR ADJUSTMENT, WEAR AND DAMAGE. THEREFORE, YOU MUST READ AND UNDERSTAND ALL OF THE INSTRUCTIONS AND PRECAUTIONS SUPPLIED WITH YOUR FRONT RUNNER PRODUCT PRIOR TO INSTALLATION OR USE. IF YOU DO NOT UNDERSTAND ALL OF THE INSTRUCTIONS AND CAUTIONS, OR IF YOU HAVE NO MECHANICAL EXPERIENCE AND ARE NOT THOROUGHLY FAMILIAR WITH THE INSTALLATION PROCEDURES, YOU SHOULD HAVE THE PRODUCT INSTALLED BY A PROFESSIONAL INSTALLER OR OTHER QUALIFIED PERSONNEL.

NOTE: Front Runner will not be responsible for any damage caused by the failure to install the product according to these instructions.

Please call us if you have any questions about the installation of this product.



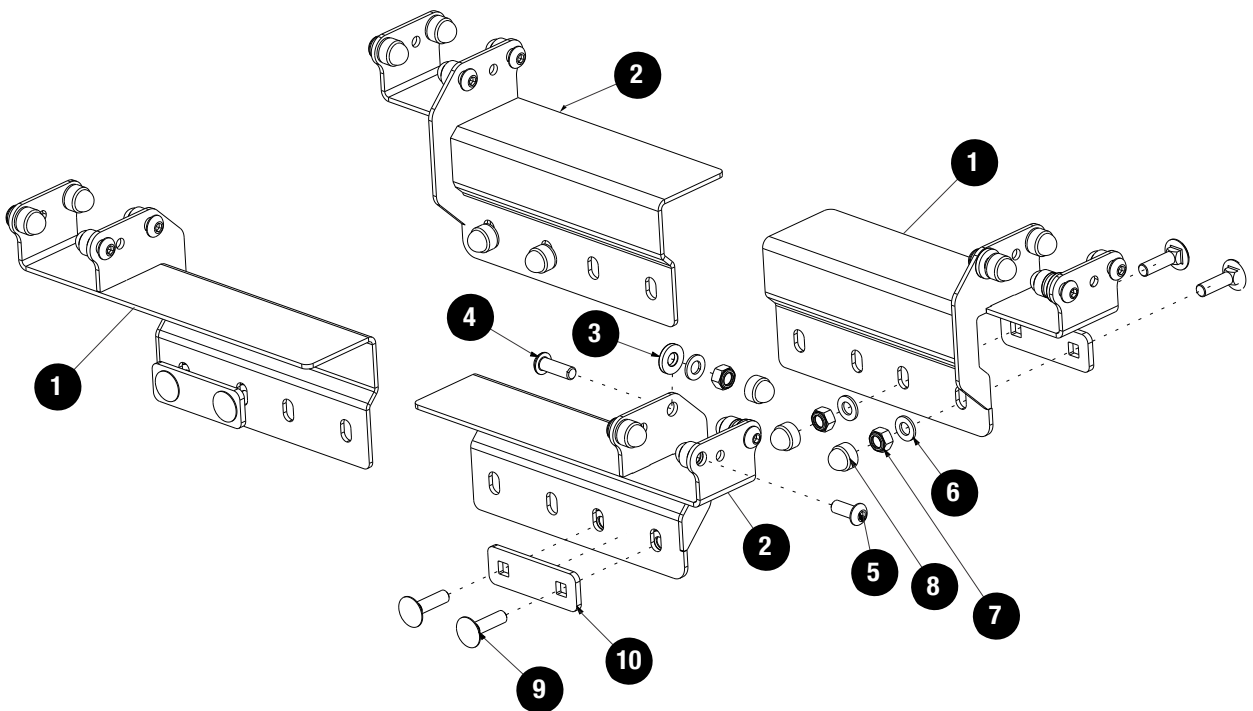
1 GET ORGANIZED

IN THE BOX

PBJG001

1	2 X	FRONT LH / REAR RH MOUNTING BRACKET
2	2 X	FRONT RH / REAR LH MOUNTING BRACKET
3	4 X	M8 X 19 X 3 FLAT WASHER
4	4 X	M8 X 25 BUTTON HEAD SCREW
5	12 X	M8 X 20 BUTTON HEAD SCREW
6	24 X	M8 X 16 X 1.6 FLAT WASHER
7	24 X	M8 NYLOC NUT
8	24 X	M8 NUT CAP
9	8 X	M8 X 30 CARRIAGE BOLT
10	4 X	M8 NUT PLATE

TOOLS NEEDED





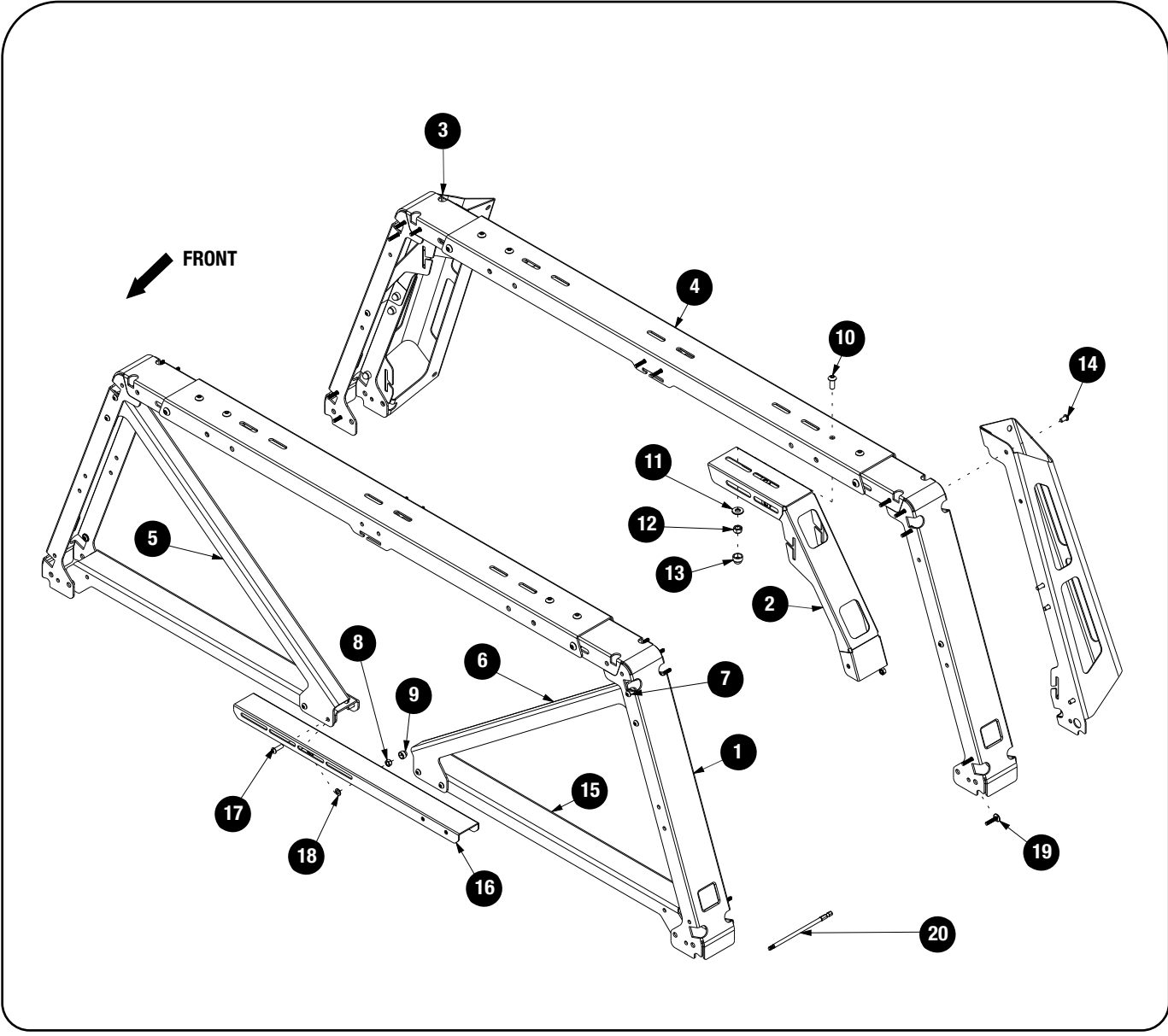
1 GET ORGANIZED

IN THE BOX		PBRA001
1	4 X	PRO BED RACK LEG
2	2 X	PRO BED RACK REAR BRACE
3	2 X	PRO BED RACK RH REAR WING BRACKET
4	2 X	PRO BED RACK TOP TRUSS
5	1 X	PRO BED RACK RH FRONT DIAGONAL BRACE
6	2 X	PRO BED RACK LH FRONT DIAGONAL BRACE
7	12 X	M6 NYLOC NUT
8	24 X	M6 NYLOC NUT
9	22 X	M6 NUT CAP
10	16 X	M8 x 20 BUTTON HEAD SCREW
11	16 X	M8 x 19 x 2 FLAT WASHER
12	16 X	M8 NYLOC NUT
13	16 X	M8 NUT CAP

IN THE BOX		PBRA001
14	6 X	M6 x 12 BUTTON HEAD SCREW
15	2 X	FRONT HORIZONTAL BRACE
16	1 X	FRONT CENTER BRACE
17	4 X	M6 x 20 BUTTON HEAD SCREW
18	9 X	M6 x 12 x 1 FLAT WASHER
19	24 X	M6 x 25 THREAD FORMING SCREW
20	1 X	T30 6" TORX BIT

TOOLS NEEDED

Oil or Anti Seize





1

GET ORGANIZED

IN THE BOX

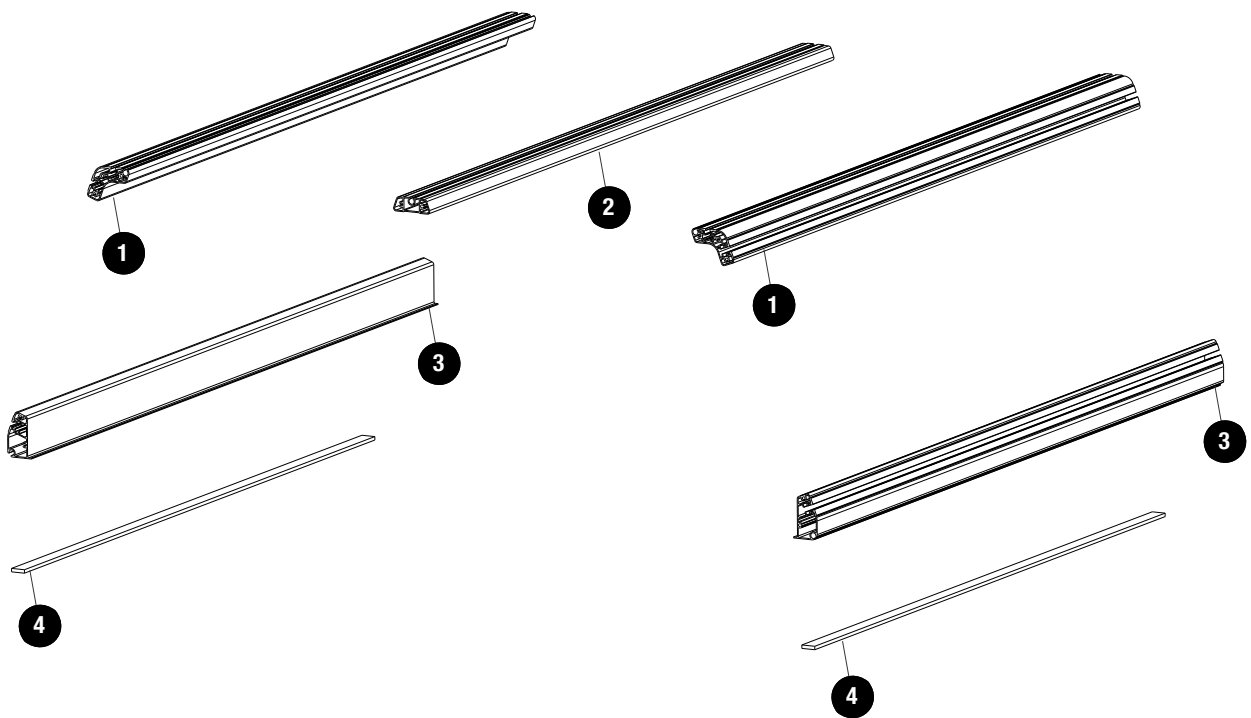
PBAL1250

1	2 X	Top Extrusion
2	1 X	Top Middle Extrusion
3	2 X	Bottom Extrusion
4	2 X	1250mm PSA Strip PE60

TOOLS NEEDED



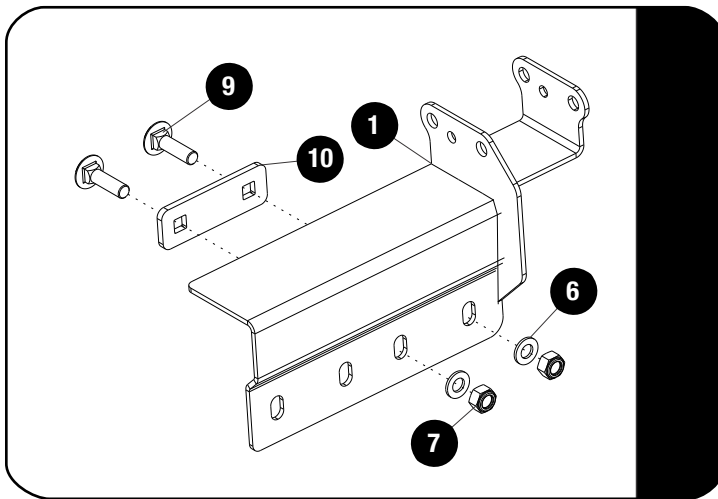
Friend



2

FIT AND SECURE

2.1



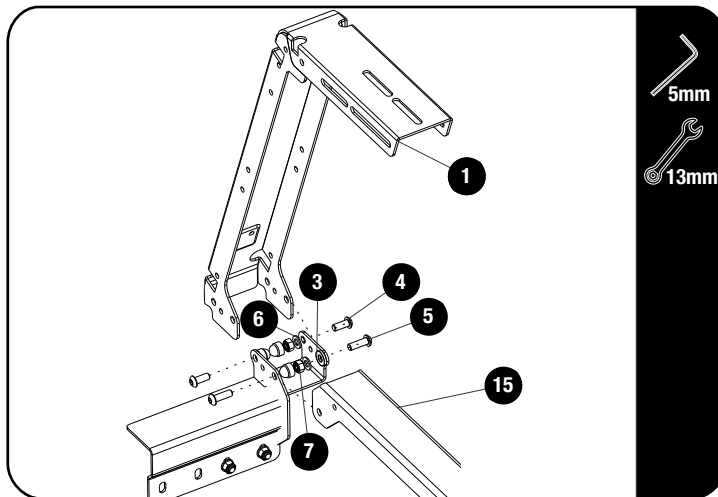
Remove the factory rail end caps. Slide 2 channel plates (Item 10) into each rail.

Loosely assemble the Front Mounting Brackets (Item 1) using the M8 carriage bolts, M8x16x1.6 Flat washer and M8 Nyloc Nut (Item 9,7 & 6).

Do this on both LH and RH side.

DO NOT FULLY TIGHTEN.

2.2

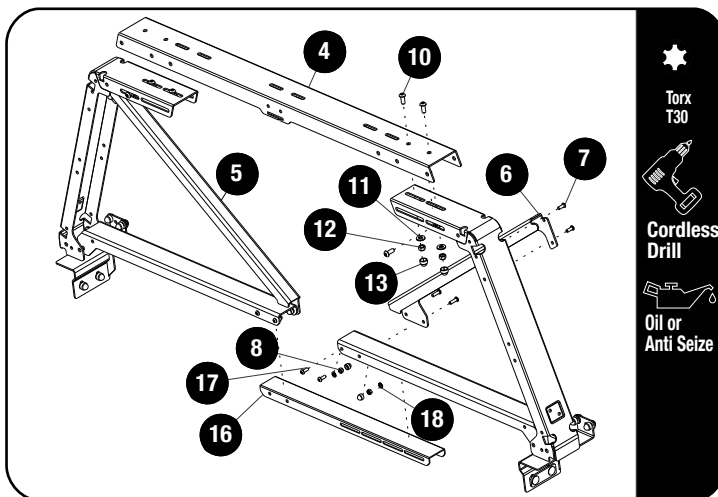


Assemble the Pro Bed Leg (Item 1) on page 3 and the Front Horizontal Support Bracket (Item 15) to the bracket fitted in 2.1 using M8 x 25 Button head bolts, M8 x 19 x 3 Flat washers and nyloc nuts (Item 3,5 & 7) as shown and M8 x 20 Button head bolts and M8 nyloc nuts (Item 4 & 6).

Do this on the Left and Right Side.

DO NOT TIGHTEN.

2.3



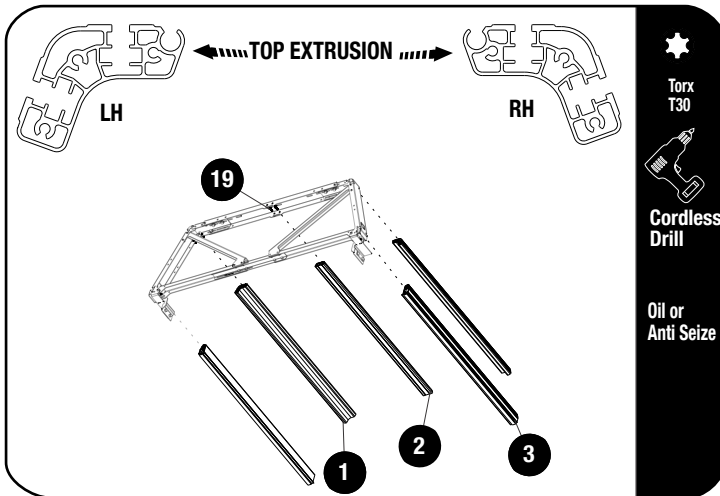
Assemble the Front diagonal and Horizontal Brace parts as shown (Item 4, 5 & 6) to the legs fitted in 2.2 using the M8 x 20 Button head bolts M8 x 19 x 2 flat washer and M8 nyloc nuts (Item 10 , 11 & 12).

FULLY TIGHTEN.

Use the M6 x 20 Button Head bolts M6 x 12 x 1 Flat Washer and M6 Nyloc Nut (Item 8,17 & 18) to fit the Front Center Brace to the LH and RH Front Horizontal Braces (Item 16).

DO NOT FULLY TIGHTEN.

2.4



Slide the front leg and truss assembly backward to allow access for securing the extrusions.



Take note of extrusion orientation !

Using the supplied 6" T30 torx bit and a cordless driver assemble the extrusion using the M6x25 thread forming screws (Item 19). Use a slow and constant speed when using the cordless driver.



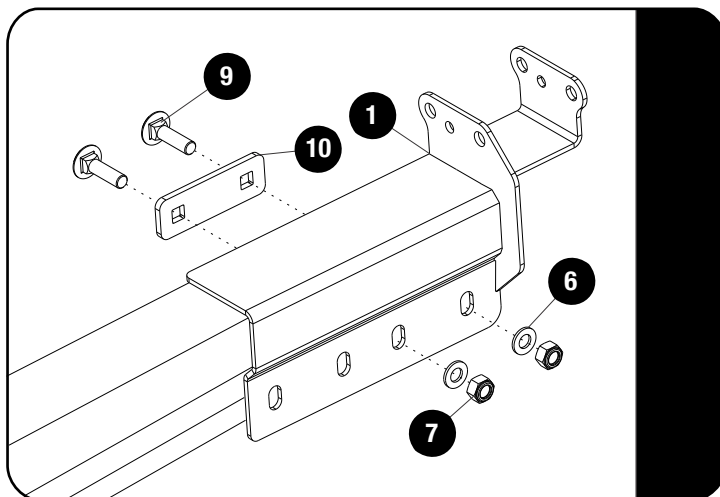
Use a little anti seize or oil on screw threads before inserting. Note these are Thread Forming Screws.

When complete slide assembly forward in the cargo rails giving room for rear legs to be assembled.



Tightening Torque 25Nm / 18.4 ft lbs

2.5



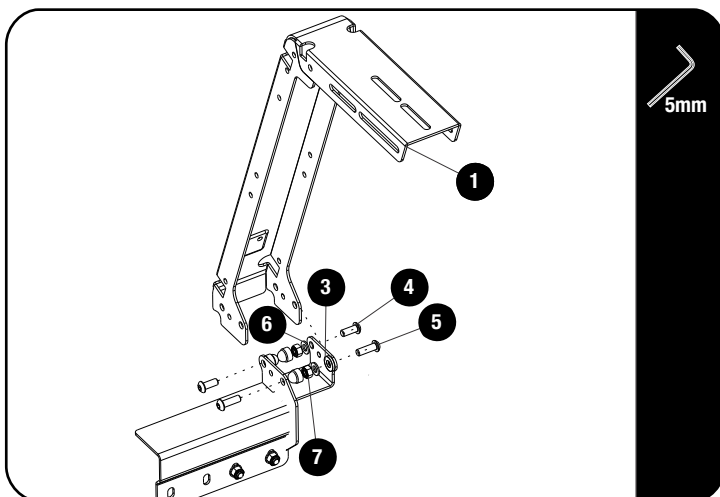
Remove the factory rail end caps. Slide 2 channel plates (Item 10) into each rail.

Loosely assemble the Rear Mounting Brackets (Item 1) using the M8 carriage bolts, M8x16x1.6 Flat washer and M8 Nyloc Nut (Item 9, 7 & 6).

Do this on both LH and RH side.

DO NOT FULLY TIGHTEN.

2.6

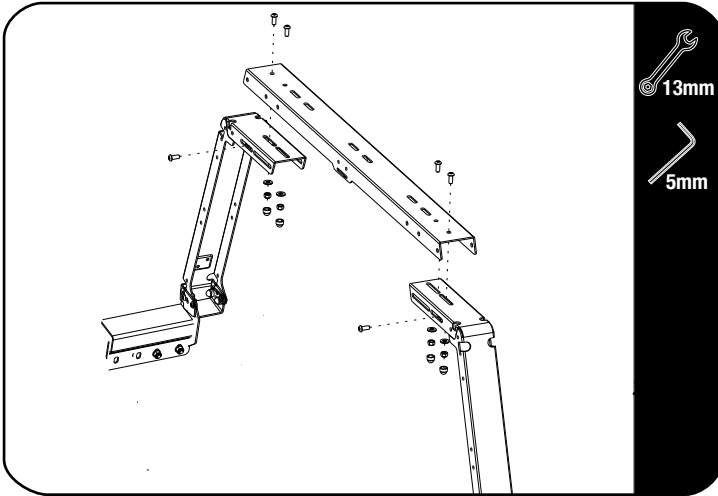


Assemble the Pro Bed Leg (Item 1) on page 3 to the bracket fitted in 2.1 using M8 x 25 Button head bolts, M8 x 19 x 3 Flat washers and nyloc nuts (Item 3, 5 & 7) as shown and M8 x 20 Button head bolts and M8 nyloc nuts (Item 4 & 6).

Do this on the Left and Right Side.

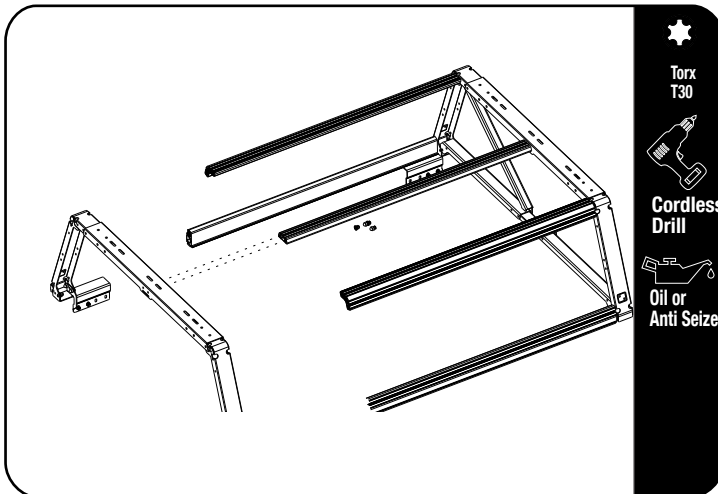
DO NOT TIGHTEN.

2.7



Loosely assemble the Cross Brace to the leg assembly using the M8 x 20 Button head screws, M8 x 19 x 2 Flat washers and M8 Nyloc Nuts (Item 10, 10 & 12). Fully Tighten the M8 Button Heads.

2.8



Pull the Front assembly with the extrusion toward the rear legs.

Align the extrusion with the holes in the rear legs and fasten with the M6 x 25 thread forming screws (Item 19).

The position of the bed rack will be pulled into its final position by doing this.

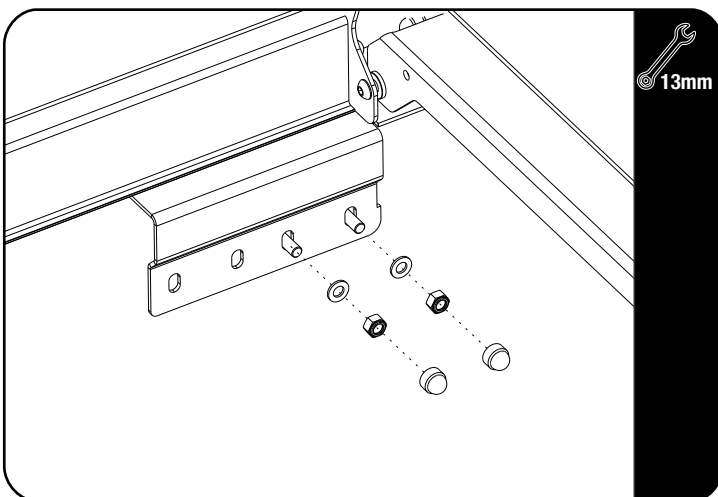


Use a little anti seize or oil on screw threads before inserting. Note these are Thread Forming Screws.



Tightening Torque 25Nm / 18.4 ft lbs

2.9



With the Load Bed Rack in position fully tighten the bracket fitted in 2.1 & 2.5. Place M8 Nut Caps onto the M8 Nyloc Nuts.



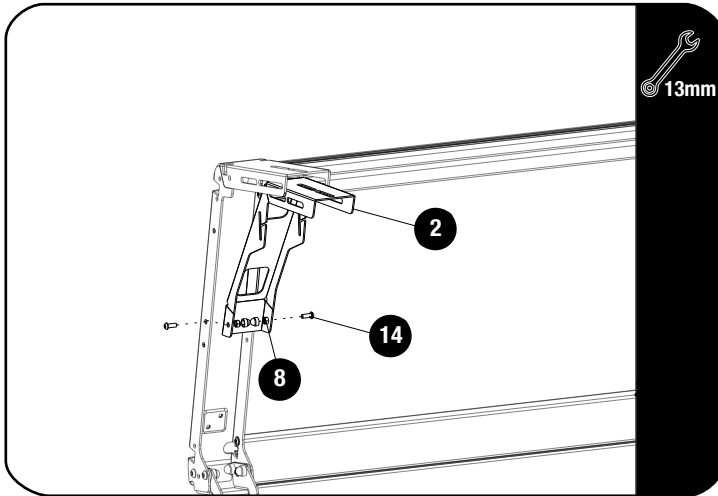
Tightening Torque:

M8 : 15-20Nm / 11.06 ft lb - 14.75 ft lb

2

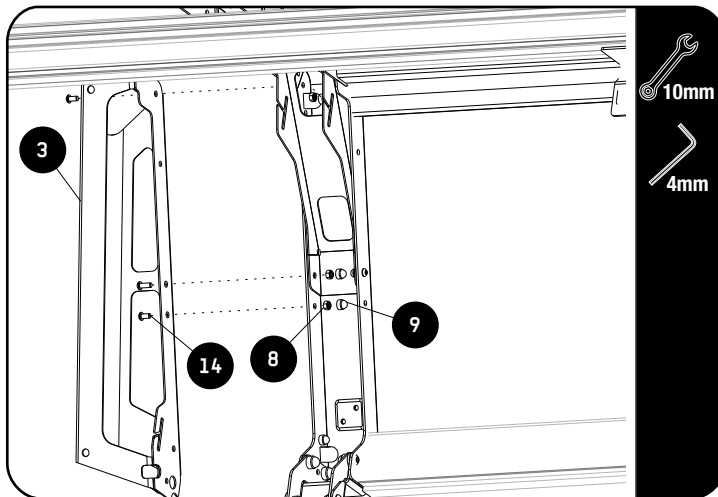
FIT AND SECURE

2.10



Loosely assemble the M6 x 12 Button Head bolts, M6 x 12 x 1 Flat Washers and M6 Nyloc nuts (Item 2 , 4 & 18).DO NOT FULLY TIGHTEN.

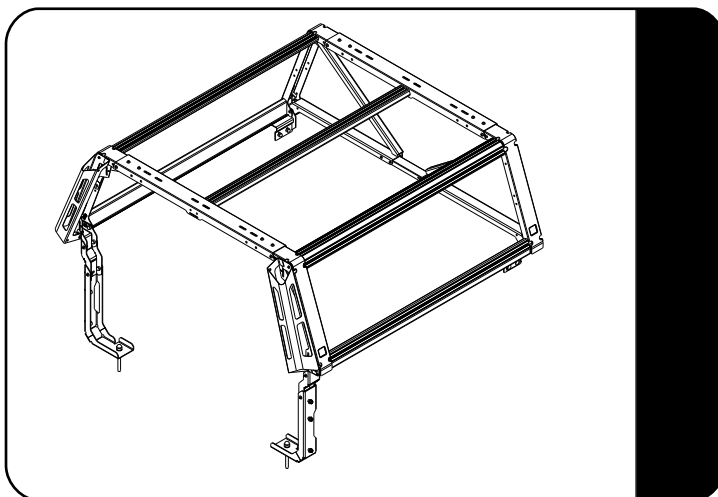
2.11



Assemble the Rear Wing Brackets (Item 3) to the back of the frame using the M6 x 12 button head screws, M6 x 12 x 1 Flat washers and M6 Nyloc nuts (Item 14 , 8 & 18).

Fully Tighten and Place M6 Nut Caps (Item 9)over the M6 Nyloc Nuts.

2.12



Fully Tighten all the bolts and nuts and place nut caps where needed.

3

COMPLETION

3.1

Congratulations! You did it. Take a step back and admire your work!



4

INSTALL OTHER VEHICLE AND RACK ACCESSORIES

Now's the time to visit your favorite Front Runner dealer in person or online.

IMPORTANT!

FRONT RUNNER RACK KITS OFTEN HAVE A HIGHER LOAD RATING THAN THE VEHICLES THEY ARE MOUNTED TO. PLEASE REFER TO YOUR SPECIFIC VEHICLE MANUFACTURER FOR A RECOMMENDED ROOF RATING. FRONT RUNNER CANNOT BE RESPONSIBLE FOR IMPROPER LOADING BEYOND THE VEHICLE MANUFACTURER'S STATED LOAD CAPACITY.

Be sure to tag us. We love to see our gear in action! #FrontRunnerOutfitters #BornToRoam

Share your adventures on: 