

START HERE! READ ME FIRST

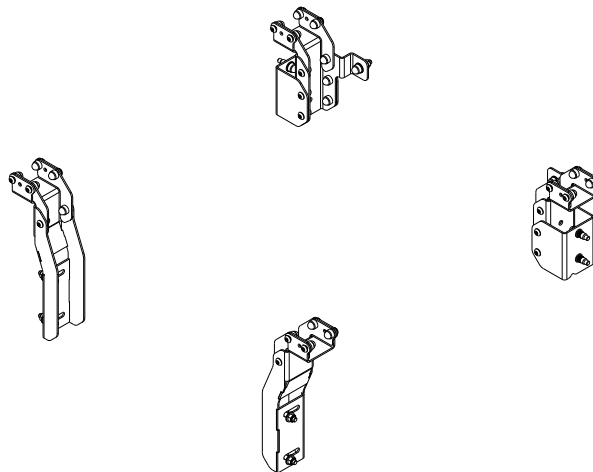
Don't be a hero and muscle through this installation without reading these fitting instructions first! Improper installation of this gear may void certain aspects of your warranty.

Before you begin, take a moment and open all your Front Runner Rack Kit boxes and gather the assembly instructions for the various components.

A complete kit will contain:

1. Front Runner Mounting System specific to your vehicle
2. Front Runner Rack Tray or Load Bar Slats

This document will guide you through the assembly of the Mounting System and assist you in fitting the Rack tray or Load Bars to your specific vehicle. Please refer to the next page for a list of all the components, quantities and tools required.



IMPORTANT WARNING!

IT IS CRITICAL THAT ALL FRONT RUNNER PRODUCTS BE PROPERLY AND SECURELY ASSEMBLED AND ATTACHED TO YOUR VEHICLE. IMPROPER ATTACHMENT COULD RESULT IN AN AUTOMOBILE ACCIDENT, AND COULD CAUSE SERIOUS BODILY INJURY OR DEATH. YOU ARE RESPONSIBLE FOR ASSEMBLING AND SECURING ALL FRONT RUNNER PRODUCTS TO YOUR VEHICLE, CHECKING THE ATTACHMENTS PRIOR TO USE, AND PERIODICALLY INSPECTING THE PRODUCTS FOR ADJUSTMENT, WEAR AND DAMAGE. THEREFORE, YOU MUST READ AND UNDERSTAND ALL OF THE INSTRUCTIONS AND PRECAUTIONS SUPPLIED WITH YOUR FRONT RUNNER PRODUCT PRIOR TO INSTALLATION OR USE. IF YOU DO NOT UNDERSTAND ALL OF THE INSTRUCTIONS AND CAUTIONS, OR IF YOU HAVE NO MECHANICAL EXPERIENCE AND ARE NOT THOROUGHLY FAMILIAR WITH THE INSTALLATION PROCEDURES, YOU SHOULD HAVE THE PRODUCT INSTALLED BY A PROFESSIONAL INSTALLER OR OTHER QUALIFIED PERSONNEL.

NOTE: Front Runner will not be responsible for any damage caused by the failure to install the product according to these instructions.

Please call us if you have any questions about the installation of this product.

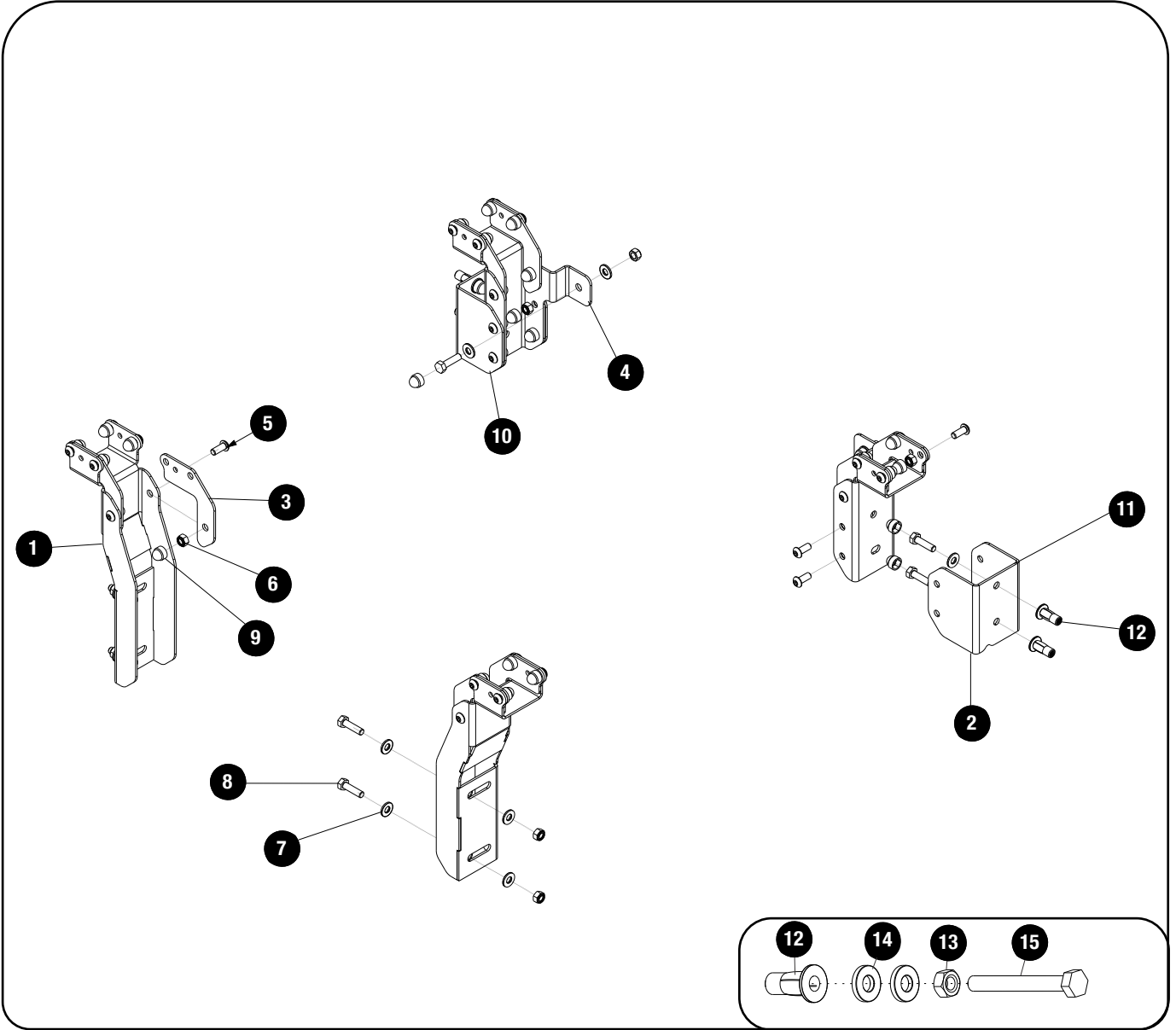


1 GET ORGANIZED

IN THE BOX		PBDR001
1	2 X	REAR BRACKET
2	1 X	FRONT RIGHT BRACKET
3	8 X	GUSSETS
4	1 X	FRONT LEFT BRACKET
5	32 X	M8 X 20 BUTTON HEAD SCREW
6	32 X	M8 NYLOC NUT
7	16 X	M8 X 19 X 2 FLAT WASHER
8	10 X	M8 X 30 HEX HEAD BOLT
9	42 X	M8 NUT CAP
10	1 X	FRONT SUPPORT BRACKET LEFT HAND SIDE
11	1 X	FRONT SUPPORT BRACKET RIGHT HAND SIDE
12	4 X	M8 PLUS NUT

IN THE BOX		PBDR001
13	1 X	M8 NORMAL NUT
14	2 X	M8 x 19 x 3 FLAT WASHER
15	1 X	M8 x 70 HEX BOLT

TOOLS NEEDED





1 GET ORGANIZED

IN THE BOX		PBRA001
1	4 X	PRO BED RACK LEG
2	2 X	PRO BED RACK REAR BRACE
3	2 X	PRO BED RACK RH REAR WING BRACKET
4	2 X	PRO BED RACK TOP TRUSS
5	1 X	PRO BED RACK RH FRONT DIAGONAL BRACE
6	1 X	PRO BED RACK LH FRONT DIAGONAL BRACE
7	12 X	M6 x 16 BUTTON HEAD SCREW
8	24 X	M6 NYLOC NUT
9	22 X	M6 NUT CAP
10	16 X	M8 x 20 BUTTON HEAD SCREW
11	16 X	M8 x 19 x 2 FLAT WASHER
12	16 X	M8 NYLOC NUT
13	16 X	M8 NUT CAP

IN THE BOX		PBRA001
14	6 X	M6 x 12 BUTTON HEAD SCREW
15	2 X	FRONT HORIZONTAL BRACE
16	1 X	FRONT CENTER BRACE
17	4 X	M6 x 20 BUTTON HEAD SCREW
18	9 X	M6 x 12 x 1 FLAT WASHER
19	24 X	M6 x 25 THREAD FORMING SCREW
20	1 X	T30 6" TORX BIT

TOOLS NEEDED

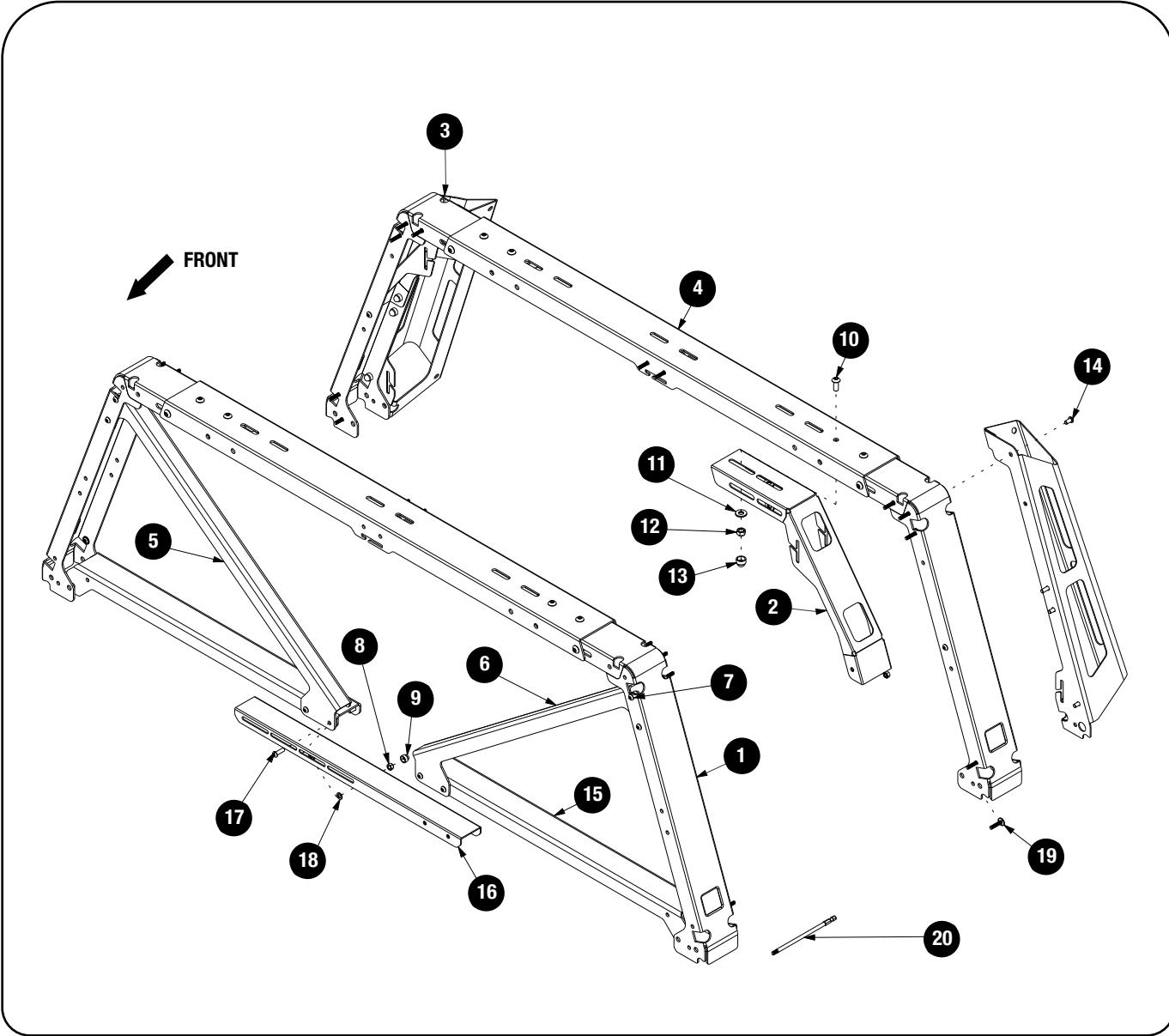
13mm
10mm

5mm
4mm

Torx
T30

Oil or
Anti Seize

X 2





1

GET ORGANIZED

IN THE BOX

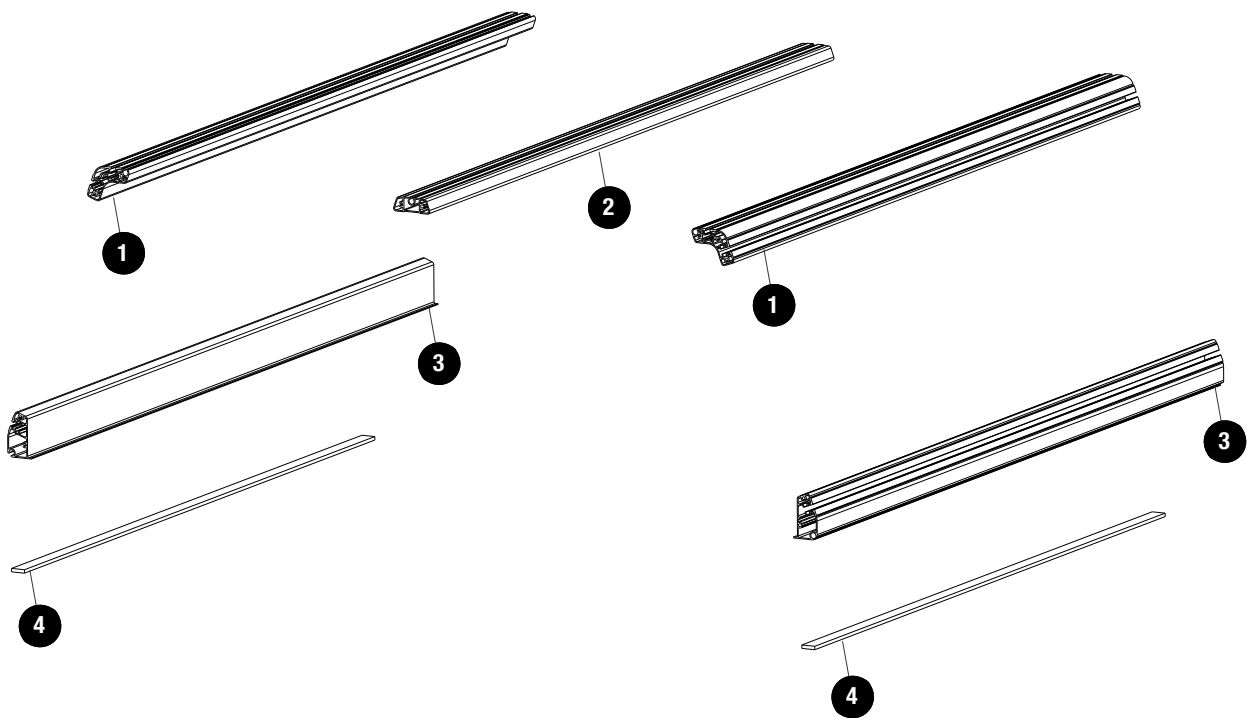
PBAL_1450

1	2 X	TOP EXTRUSION
2	1 X	TOP MIDDLE EXTRUSION
3	2 X	BOTTOM EXTRUSION
4	2 X	1450mm PSA STRIP PE60

TOOLS NEEDED



Friend



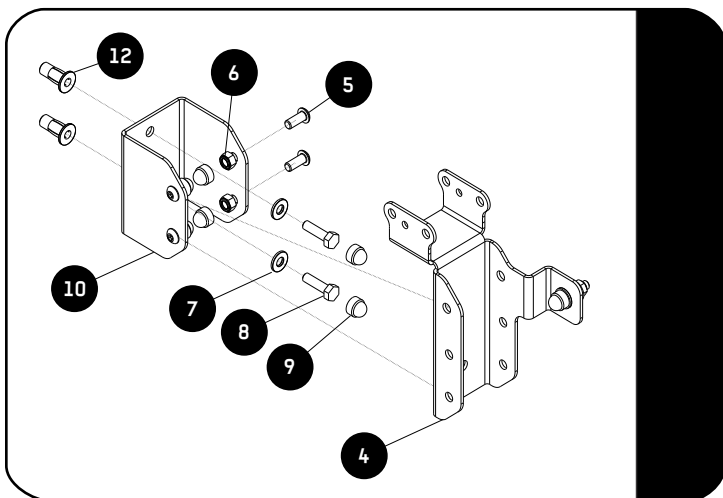
2

FIT AND SECURE



Pre 2022 models need the Support bracket assembled to the Front Mounting brackets. 2022 to current do not require them to be assembled

2.1



Place the LH & RH Front mounting brackets on the bed ledge and up against the front bed wall. Mark the two side mounting holes and one forward hole per bracket

Use a 4mm drill to drill the pilot holes. Open the two side holes to 11.5mm and the one front hole to 8.5mm (THIS HOLE WILL NOT REQUIRE A PLUS NUT TO BE INSTALLED) Insert a plus nut (Item 12) into the two side holes

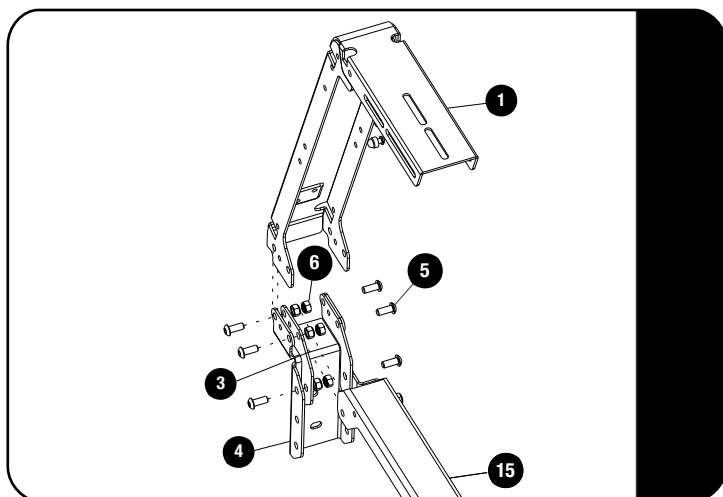


Check Youtube for assistance in setting a plus nut

Use a ratchet and 13mm socket and place the socket onto the M8 x 70 Hex bolt and tighten the M8 Nut using a 13mm spanner and pull the plus nut all the way up.

DO NOT FIT THE BRACKET AT THIS STAGE.

2.2

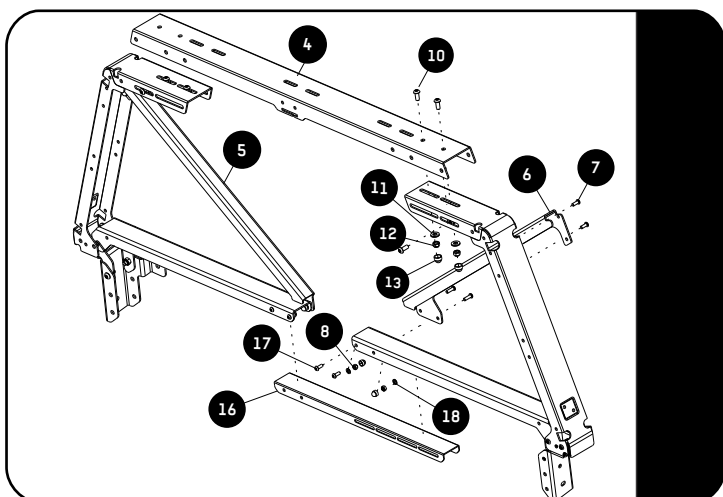


Assemble the Pro Bed Leg (Item 1) to the Front Mounting Brackets (Item 4) and the Front Horizontal Brace and Front Gusset (Item 3 & 15) using M8 x 20 button Head screws and M8 Nyloc Nuts (Item 5 & 6).

Do this with both the LH and RH side.

DO NOT FULLY TIGHTEN.

2.3



Assemble the Pro Bed Leg (Item 1) and the Gussets (Item 3) to the Front Main Bracket (Item 10) using M8x20 Button head screw and M8 Nyloc Nut (Item 5 & 6) as shown and M8x20 Button head screw and M8 nyloc Nut (Item 12 & 5).

Do this on both the LH and RH side

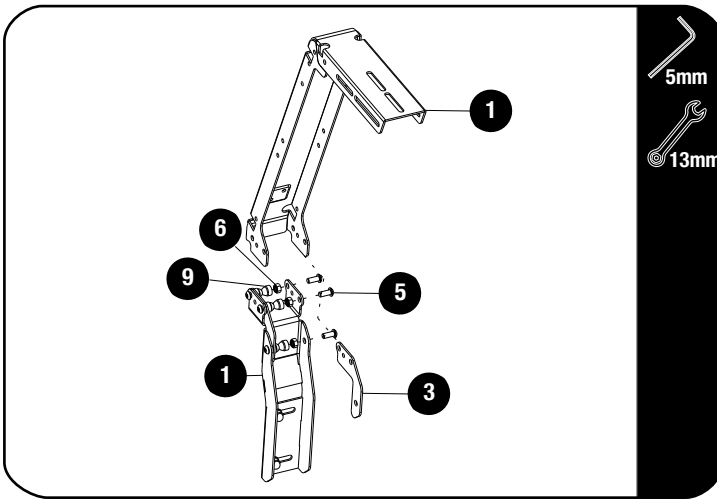
DO NOT FULLY TIGHTEN

Place the assembly on a suitable surface.

2

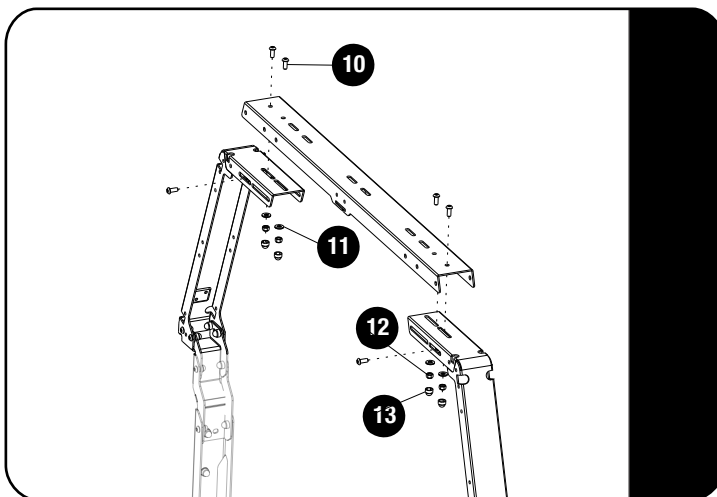
FIT AND SECURE

2.4



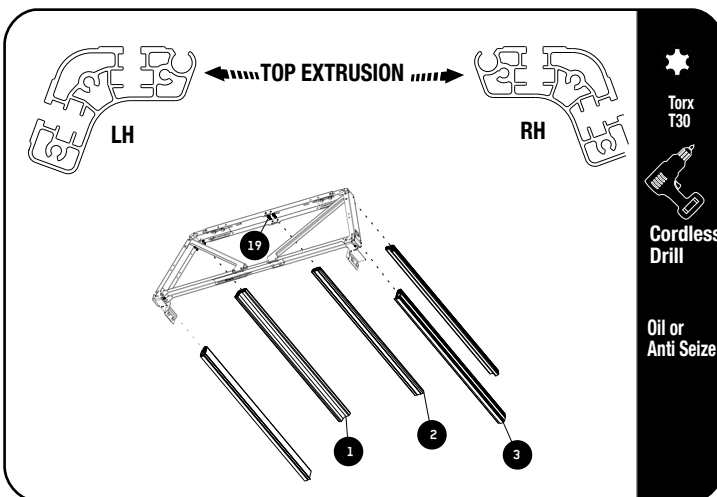
Assemble the Pro Bed Rack Leg (Item 1) to the rear main bracket (Item 1) using the gusset (item 3) and M8x20 Button head screw and M8 nyloc Nut (Item 5 & 6) as shown and fully tighten all the bolts.

2.5



Loosely assemble the rear top truss using the M8x20 Button head screws, M8x19x2 Flat washer and M8 Nyloc Nuts (Item 10,11&12).

2.6



Take note of extrusion orientation !

Using the supplied T30 6" torx bit and a cordless driver fit the extrusions to the front leg assembly as shown using the M6x25 thread forming screws (Item 19). Use a slow and constant speed when using the cordless driver.

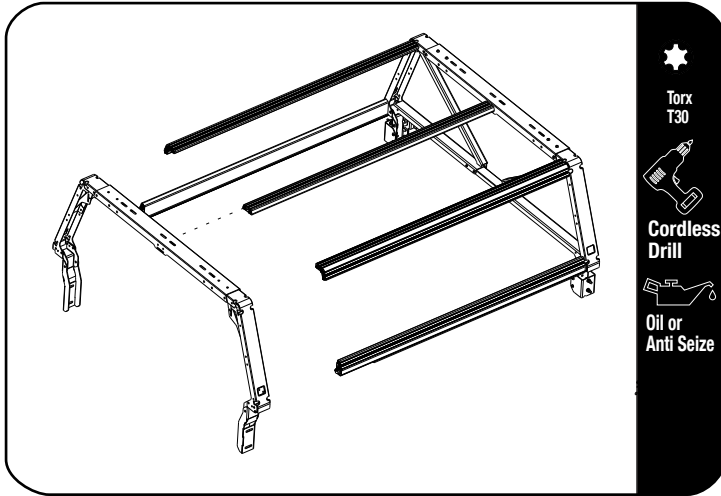
Use a little anti seize or oil on screw threads before inserting. Note these are Thread Forming Screws.

Tightening Torque 25Nm / 18.4 ft lbs

2

FIT AND SECURE

2.7

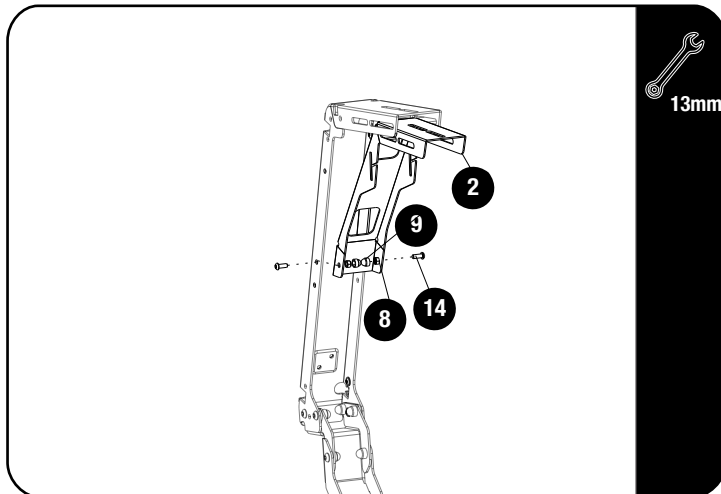


Assemble the rear Leg assembly from 2.6 to the Extrusion assembly from 2.7 using the supplied T30 6" torx bit and a cordless driver fit the extrusion using the M6x25 thread forming screws (Item 19). Use a slow and constant speed when using the cordless driver.

Use a little anti seize or oil on screw threads before inserting. Note these are Thread Forming Screws.

Tightening Torque 25Nm / 18.4 ft lbs

2.8

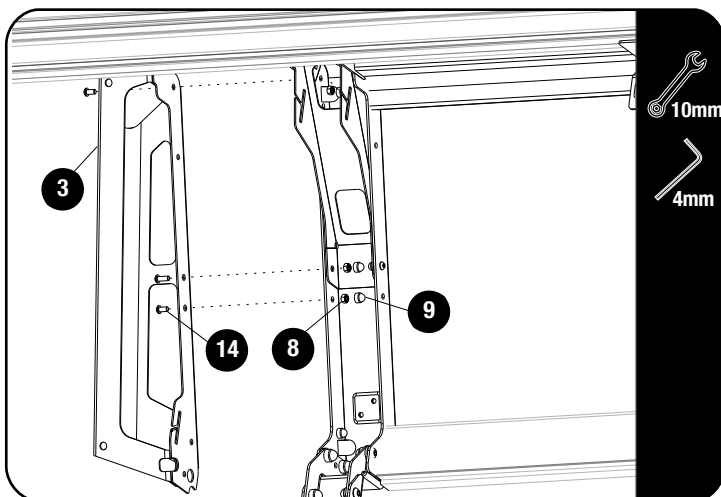


Fit the Rear Brace (Item 2) using the M6x12 button head screws and M6 Nyloc nuts (Item 14 & 8).

Fully tighten and place M6 Nut caps (Item 9) on the M6 Nyloc Nuts

Tightening Torque:
M8 : 15-20Nm / 11.06 ft lb - 14.75 ft lb

2.9



Assemble the Rear Wing Brackets (Item 3) using the M6x12 Button head screws and M6 Nyloc Nuts (Item 14 & 8).

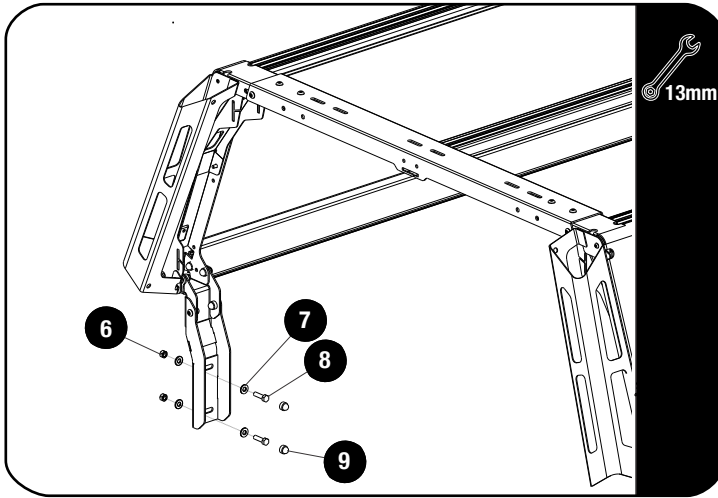
Place the M6 Nut caps (Item 9) over the nyloc nuts.

Tightening Torque:
M6 : 8-10Nm / 5.9 ft lb - 7.38 ft lb

2

FIT AND SECURE

2.10



Position the Pro Bed assembly onto the load bed and push it forward until the front mounts are up against the front of the bed and side holes aligned with the plus nuts installed.

Mark the four holes on the rear mount brackets onto the LH & RH bed rear pillars.

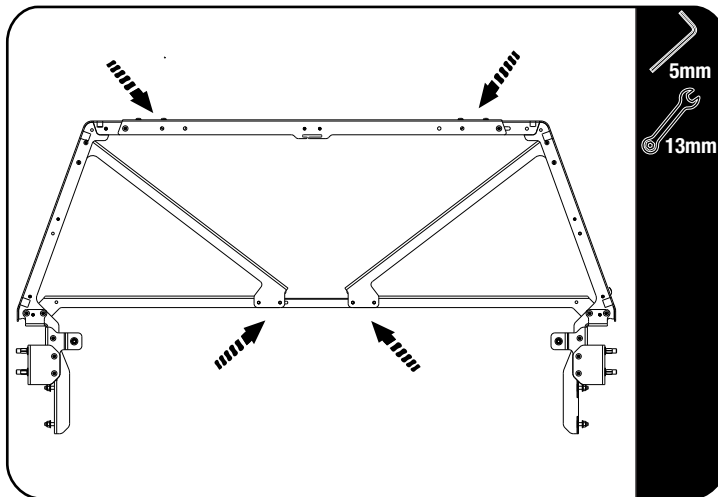
Drill the 4 rear mount holes starting with a 4mm drill and opening up to a 11.5mm.

Install the four plus nuts.

Position the Pro Bed assembly onto the bed and secure the the rear mounts using M8 x 19 x 2 flat washers and M8x30 Hex Bolts (Item 7 & 8).

Secure the front mount sides with M8x19x2 flat washers and M8x30 Hex bolts (Item 7 & 8) and the two front fixing points with M8x30 Hex bolts, FWM8x19x2 and M8 Nyloc nuts (Item 7, 8 & 6).

2.11



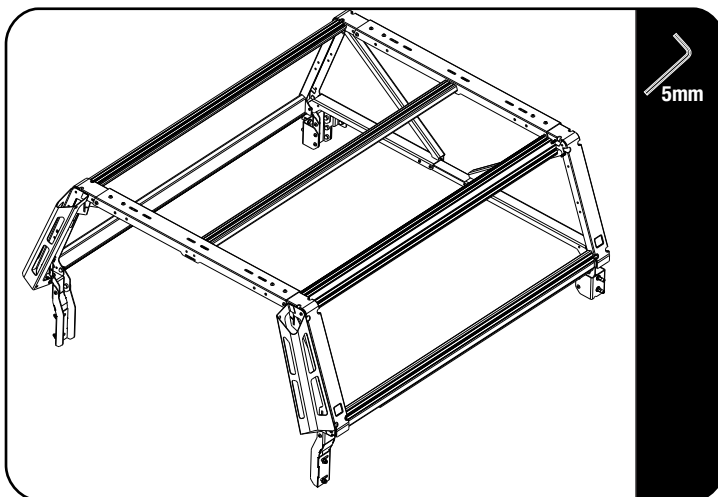
Using clamps and a spirit level clamp the spirit level to the inside of the Front Center Brace and Tighten the M6x20 Button head screws and M6 Nyloc Nuts fitted in 2.3.

Place M6 Nut caps on the M6 Nyloc Nuts.

Fully tighten the top M8 button head bolts.

Loremipsum

2.12



Fully tighten all the bolts and nuts and place nut caps where needed..

3

COMPLETION

3.1

Congratulations! You did it. Take a step back and admire your work!



4

INSTALL OTHER VEHICLE AND RACK ACCESSORIES

Now's the time to visit your favorite Front Runner dealer in person or online.

IMPORTANT!

FRONT RUNNER RACK KITS OFTEN HAVE A HIGHER LOAD RATING THAN THE VEHICLES THEY ARE MOUNTED TO. PLEASE REFER TO YOUR SPECIFIC VEHICLE MANUFACTURER FOR A RECOMMENDED ROOF RATING. FRONT RUNNER CANNOT BE RESPONSIBLE FOR IMPROPER LOADING BEYOND THE VEHICLE MANUFACTURER'S STATED LOAD CAPACITY.

Be sure to tag us. We love to see our gear in action! #FrontRunnerOutfitters

Share your adventures

