

READ ME !

Thank you for purchasing a Front Runner Toyota Sequoia (2022-Current) Foot Rails.
Before you start, take a moment to familiarize yourself with the Fitting Instructions and the included components.
Refer to Page 2 for a list of all the components, quantities and tools required.

IMPORTANT WARNING!

IT IS CRITICAL THAT ALL FRONT RUNNER PRODUCTS BE PROPERLY AND SECURELY ASSEMBLED AND ATTACHED TO YOUR VEHICLE. IMPROPER ATTACHMENT COULD RESULT IN AN AUTOMOBILE ACCIDENT, AND COULD CAUSE SERIOUS BODILY INJURY OR DEATH. YOU ARE RESPONSIBLE FOR ASSEMBLING AND SECURING ALL FRONT RUNNER PRODUCTS TO YOUR VEHICLE, CHECKING THE ATTACHMENTS PRIOR TO USE, AND PERIODICALLY INSPECTING THE PRODUCTS FOR ADJUSTMENT, WEAR AND DAMAGE. THEREFORE, YOU MUST READ AND UNDERSTAND ALL OF THE INSTRUCTIONS AND PRECAUTIONS SUPPLIED WITH YOUR FRONT RUNNER PRODUCT PRIOR TO INSTALLATION OR USE. IF YOU DO NOT UNDERSTAND ALL OF THE INSTRUCTIONS AND CAUTIONS, OR IF YOU HAVE NO MECHANICAL EXPERIENCE AND ARE NOT THOROUGHLY FAMILIAR WITH THE INSTALLATION PROCEDURES, YOU SHOULD HAVE THE PRODUCT INSTALLED BY A PROFESSIONAL INSTALLER OR OTHER QUALIFIED PERSONNEL.

NOTE: Front Runner will not be responsible for any damage caused by the failure to install the product according to these instructions.
Please call us if you have any questions about the installation of this product.



1 GET ORGANIZED

IN THE BOX

1	1 X	Rear FootRail Left Hand Side
2	1 X	Rear FootRail Right Hand Side
3	2 X	Joiner Plate
4	1 X	Front FootRail Left Hand Side
5	1 X	Front FootRail Right Hand Side
6	1 X	Front Wing Plate Left Hand Side
7	1 X	Front Wing Plate Right Hand Side
8	2 X	Front HDPE Spacer 10mm
9	6 X	Small Upper Spacer 10mm
10	4 X	Big Upper Spacer 10mm
11	6 X	Small Lower Spacer 6mm
12	4 X	Big Lower Spacer 6mm
13	12 X	M6 x 16 Button Head Screw
14	20 X	M6 Nyloc Nut
15	16 X	M6 x 19 x 1 Flat Washer
16	16 X	M8 x 19 x 2 Flat Washer
17	14 X	M8 x 16 x 1.6 Flat Washer
18	6 X	M6 x 35 Hex Head Bolt
19	14 X	M8 x 20 Hex Head Bot
20	22 X	M8 Nyloc Nut
21	22 X	M8 Nut Cap

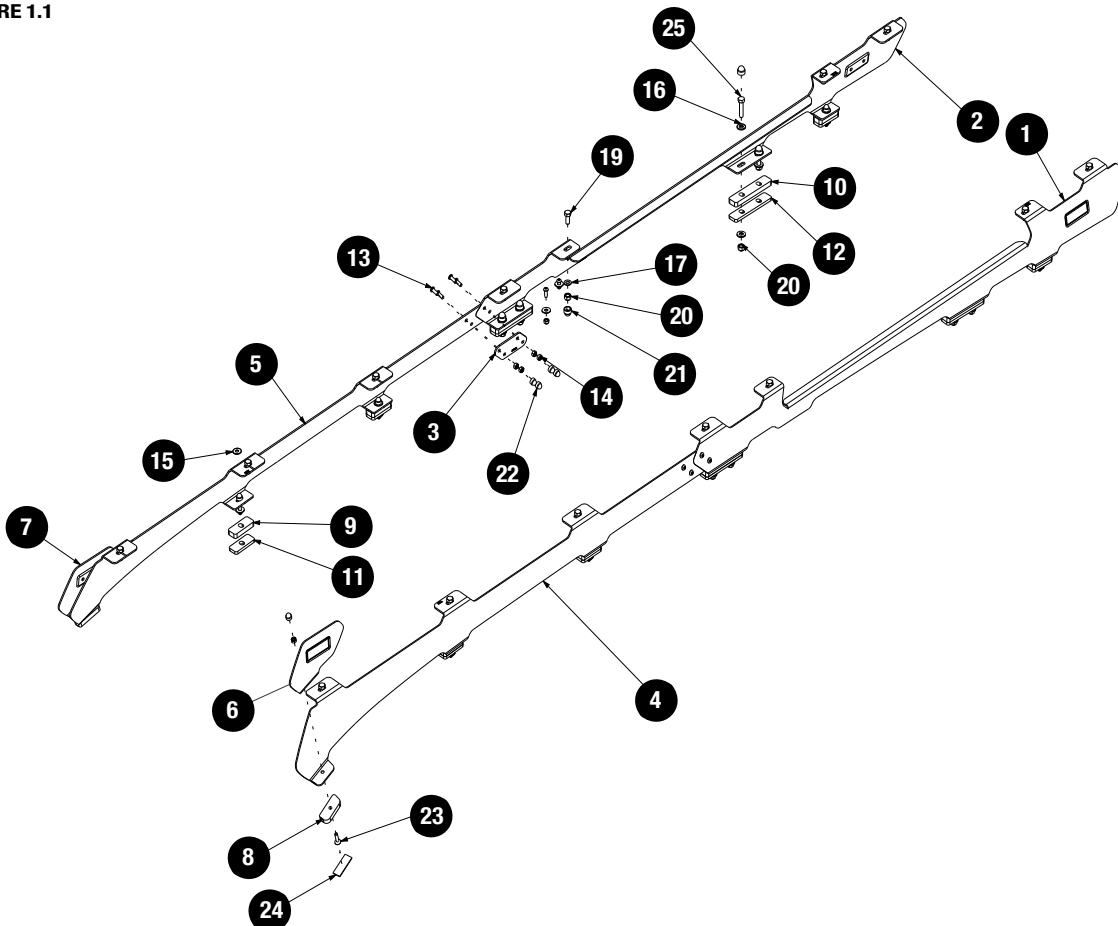
IN THE BOX

22	10 X	M6 Nut Cap
23	2 X	M6 x 25 Counter Sink Socket Screw
24	2 X	19mm x 50mm VHB Tape
25	8 X	M8 x 35 Hex Head Bolt

TOOLS NEEDED



FIGURE 1.1



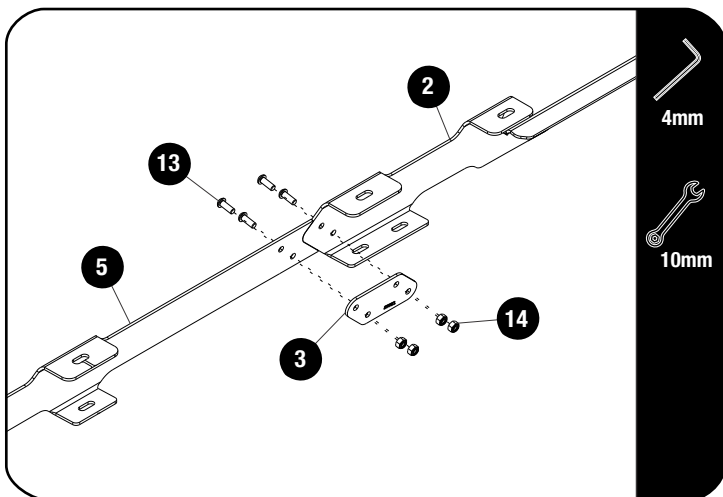
2

FIT AND SECURE

For this installation you will need to lower the headliner and remove the factory rails.
Youtube has videos to assist with this



2.1



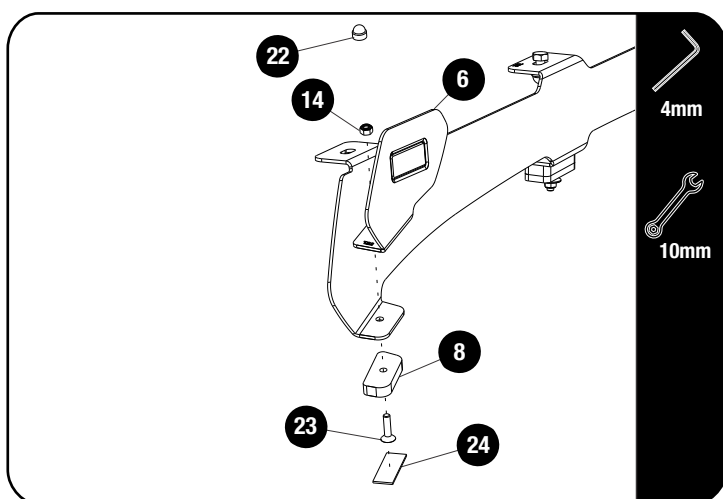
Assemble the Right Rear FootRail (Item 2) and the Right Front FootRail (Item 5) using the Joiner plate (Item 3), M6 x 16 Button Head Screws (Item 13) and M6 Nyloc Nuts (Item 14) and fully tighten.

Do this for both left and right hand side.



Tightening Torque 9 - 11 Nm /
6.6 - 8.1 ft lb

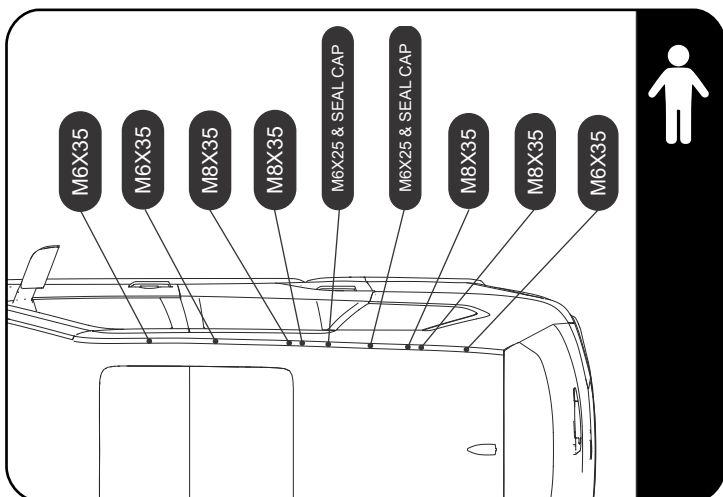
2.2



Assemble the Style Plate (Item 6) to assembly 2.1

Insert the M6 x 25 Countersink Screw (Item 22) through the bottom of the spacer (Item 8) and through the foot rail and Style Plate (Item 6) as shown and use the M6 Nyloc Nut (Item 14) and fully tighten. Place the M6 Nut Cap (Item 21) over the M6 Nyloc Nut. Apply the 19mm x 50mm VHB Tape 3M (Item 23) to the underside of the spacer (Item 8). (Do not remove the backing tape yet)

2.3

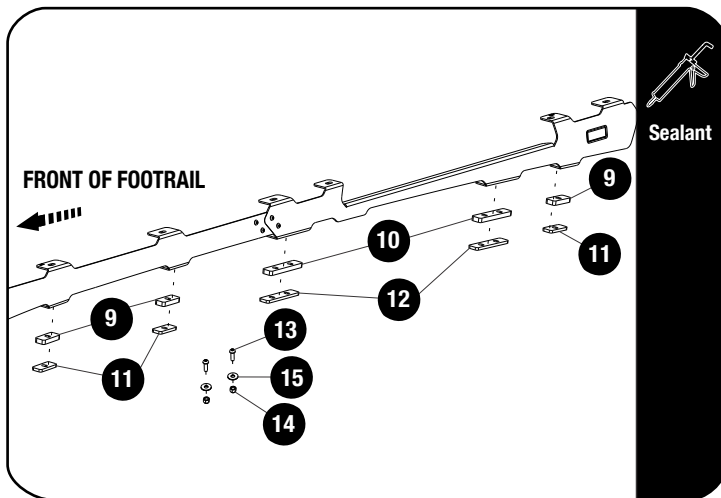


To secure the Foot Rails, the factory nuts need to be adhered to the inner roof skin. This will make the rack easily removable if needed. Unroll the 350mm long strip of VHB tape (item 29) place the eight M8 and ten M10 factory flange nuts onto the VHB tape and press down firmly (flange side down). Trim the excess tape to separate the nuts and pierce a hole with a screwdriver to allow a screw to be inserted. Have a friend help with the next step. Using a M6 and M8 screw, insert it into the corresponding hole (see diagram) remove the VHB backing from the appropriate side nut and have your friend screw it on by a few threads from the inside of the vehicle. From the outside pull the screw upward to adhere it to the inner roof skin and remove the screw. Repeat this with all the other nuts.

2

FIT AND SECURE

2.4



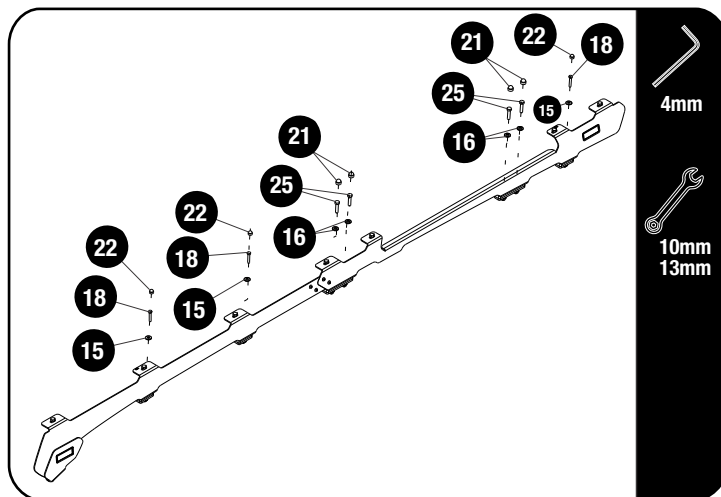
Fit the M6x25 Button Head Screws and M6x12x1 Flat Washers (Items 13,14 & 15) to the 4th & 5th holes from the rear. Add some silicone around the threads. Do this on both the LH and RH side of the roof.



These holes will not be used for the install.

Place a small bead of silicon around all the remaining 14 holes (7 per side) and position the 6mm spacers over the 7 holes per side. Take note of the hole size as 4 are for M8 bolt and 3 are for M6 bolt. Place the matching 10mm spacers on top of the 6mm spacers and fill the holes with silicon.

2.5



With the help of a friend lift the foot rail over the the roof and position it onto the spacers placed earlier.

Using the M6x35 screws (Item 18) together with M6x19 x 1 flat washers (Item 15) loosely tighten the LH and RH ditch rear screws. Lift the foot rails slightly in the front and remove the VHB backing. Lower the foot rails and position the front foot centrally in the ditch. Fit the remaining M6 screws and washers (item 18 & 15) as well as the eight M8x35 screws (Item 25) and M8 washers (Item 16) fully tighten all screws and place nut caps over all the screw heads.



Tightening Torque:

M8 : 15-20Nm / 11.06 ft lb - 14.75 ft lb

3

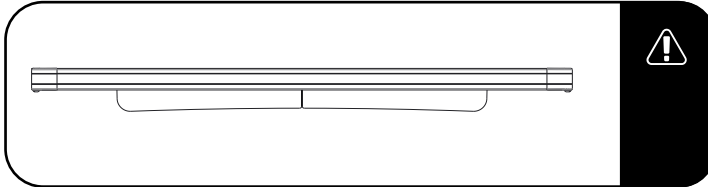
FIT AND SECURE

3.1

Refer to RRSUNI when assembling your Slimline II Tray.

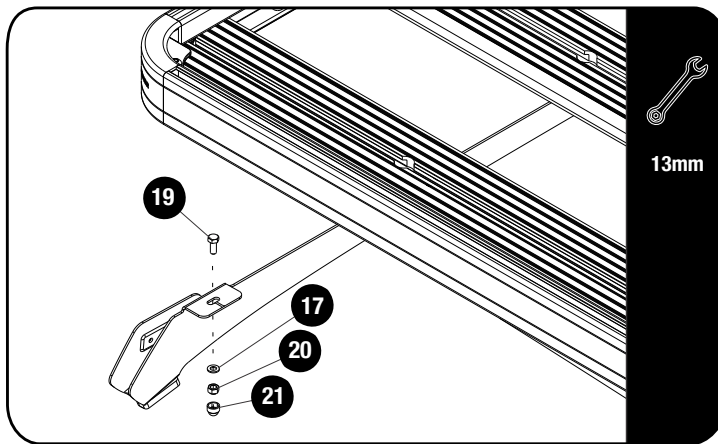


3.2



Make sure that the wind deflector is installed before you proceed to the next step.

3.3



Fit your roof rack to the Foot Rails using M8 x 20 Hex Bolts, M8 x 16 x 1.6SS Flat Washers and M8 Nyloc Nuts (Items 19, 17 & 20) and place M8 Nut Caps (Item 21) over all the M8 Nuts as shown.

3.4

Center the rack and fully tighten all fasteners. Use M8 Nut Caps (Items 10) to finish off the nuts.



4

COMPLETION

4.1

Congratulations! You did it. Take a step back and admire your work!



3

FINISH

Congratulations! You did it. Take a step back and admire your work!

4

INSTALL OTHER VEHICLE AND RACK ACCESSORIES

Now's the time to visit your favorite Front Runner Dealer in person or online.

Be sure to tag us. We love to see our gear in action! #FrontRunnerOutfitters #BornToRoam

Share your adventures on: 