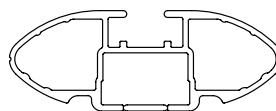
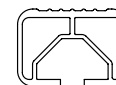




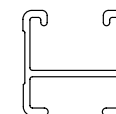
IDENTIFICATION CHART



VA crossbar



EURO crossbar



HD crossbar

		FRONT CROSSBAR						REAR CROSSBAR						
Vehicle	Date	Crossbar	Front Right Pad/ Clamp	Front Left Pad/ Clamp	Measurement strip length per side	Measurement strip length per side	Measurement Distance (x)	Foot plate arrow direction	Rear Right Pad/ Clamp	Rear Left Pad/ Clamp	Measurement strip length per side	Measurement strip length per side	Measurement Distance (x)	Foot plate arrow direction
Ford F150 SuperCrew	2015 -	1500mm	M700 SUB0149	M699 SUB0149	169mm	114mm	1226mm / 48,17/64"	OUT	M700 SUB0149	M699 SUB149	166mm	111mm	1220mm / 48,1/32"	OUT
			Pad Arrow FORWARD						Pad Arrow FORWARD					
Ford F150 SuperCab	2015 -	1500mm	M700 SUB0149	M699 SUB0149	169mm	114mm	1226mm / 48,17/64"	OUT	M700 SUB0149	M699 SUB149	166mm	111mm	1220mm / 48,1/32"	OUT
			Pad Arrow FORWARD						Pad Arrow FORWARD					



DK427, DK427H Rhino-Rack VA, Euro & HD crossbar instruction

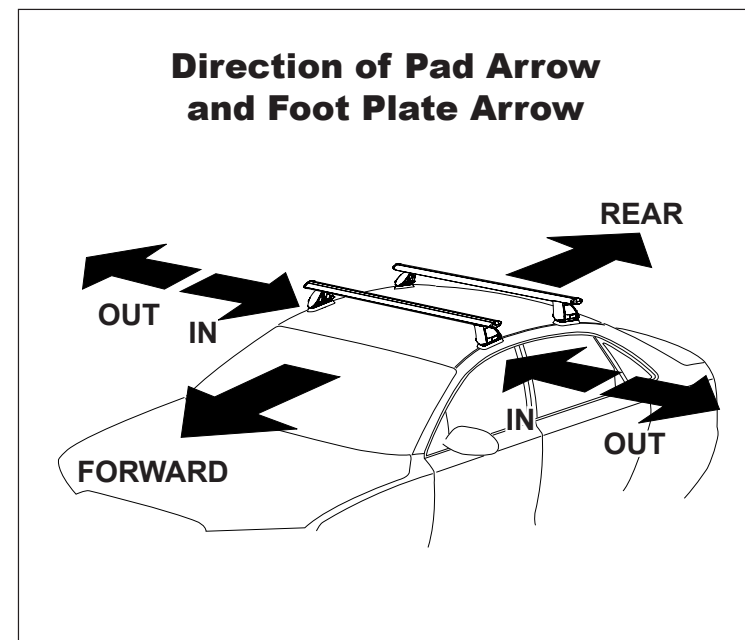
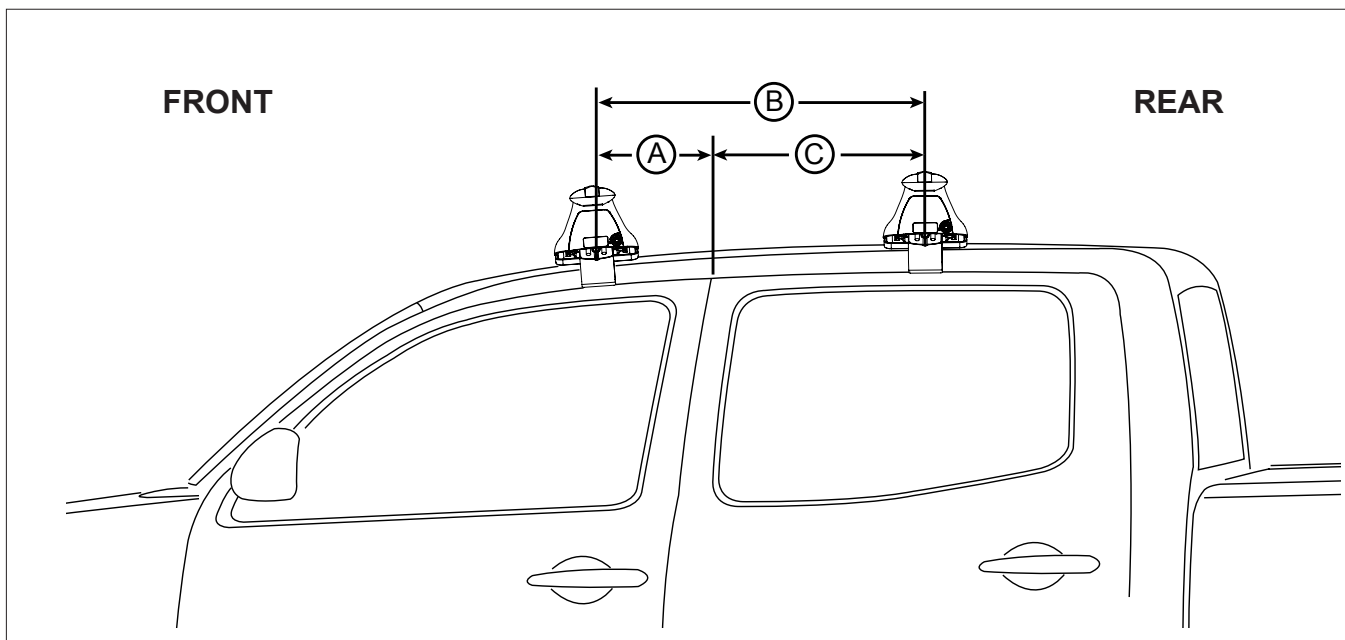
CONTROLLED

Measurement A: CENTRE of door jamb to CENTRE arrow of leg foot plate.

Measurement B: CENTRE of Front leg foot plate arrow to CENTRE of Rear leg foot plate arrow.

Carrying capacity: Roof rack is rated to 75kg. Please refer to manufacturers handbook for your vehicles maximum roof load capacity. Always use the lower of the two figures.

If your vehicle is not listed on this fitting instruction please refer to your countries Rhino-Rack web site for the latest information.



VEHICLE	Date	Measurement A	Measurement B	Measurement C	Load Rating (includes racks 5kg/ 11lbs)
Ford F150 SuperCrew	2015 -	280mm / 11,1/32"	800mm / 31,1/2"	520mm / 20,15/32"	75kg / 165lbs
Ford F150 SuperCab	2015 -	280mm / 11,1/32"	700mm / 27,9/16"	420mm / 16, 9/16"	75kg / 165lbs