



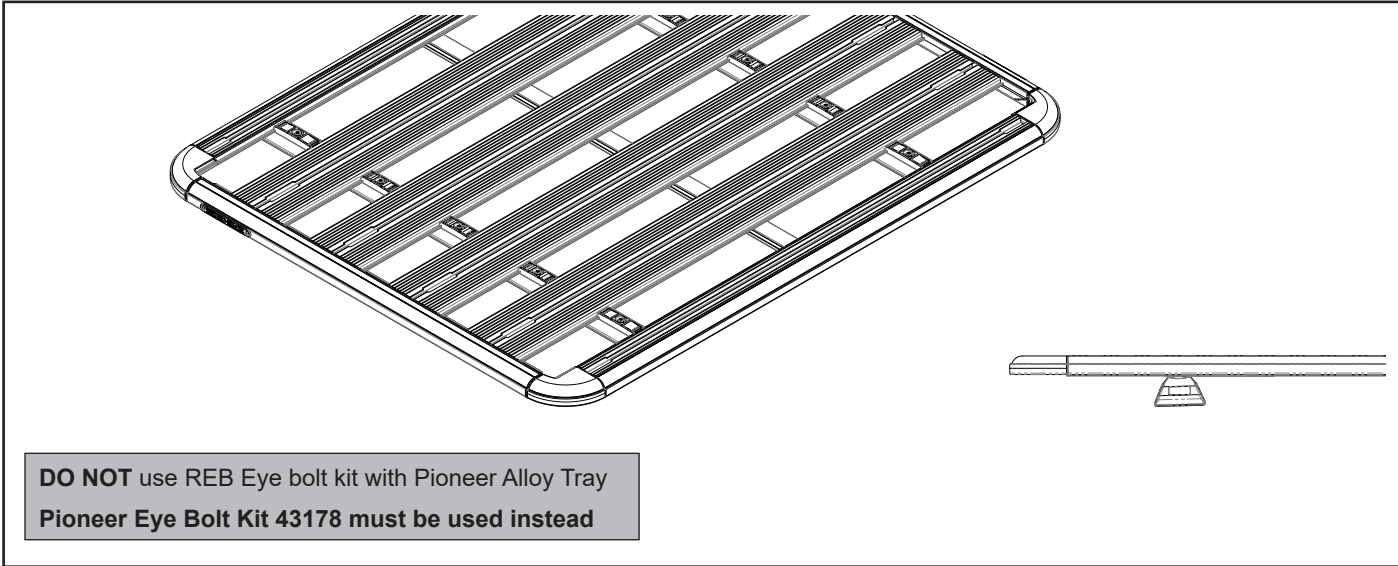
CONTROLLED

RHINO-RACK

Rhino-Rack Pioneer SX (44100B, 44101B, 44102B & 44103B)

Place these instructions in the vehicle's glove box after installation is complete.

Important: Please read these instructions carefully prior to installation.
Check the contents of this kit before commencing fitment and report any discrepancies.
Place these instructions in the vehicle's glove box after installation is complete.



DO NOT use REB Eye bolt kit with Pioneer Alloy Tray
Pioneer Eye Bolt Kit 43178 must be used instead

Care Instruction: Wash vehicle roof prior to installing Rhino Pioneer Alloy Tray.

Download your Vehicle Fitment Sheet

Individual fitment sheets exist for every vehicle and tray size available, they provide specific fitment information that is relevant to each individual vehicle.

Fitment sheets can be downloaded from the RhinoRack Website under 'Fit My Car'
Simply select the make and model of the vehicle, select the Pioneer tray of choice and click on instructions.

Important Information

Load Ratings Page 2

Recommendations..... Page 2

Sensitivity to cross winds, behaviour in curves and braking..... Page 2

Use only non-stretch fastening ropes or straps.

Please remove cross bars when putting vehicle through an automatic car wash.

Note for Dealers: It is your responsibility to ensure instructions are given to the end user or client.

Rhino-Rack
22 Hanson Place, Eastern Creek,
NSW 2116, Australia.
(Ph) (02) 8846 1900
rhinorack.com.au

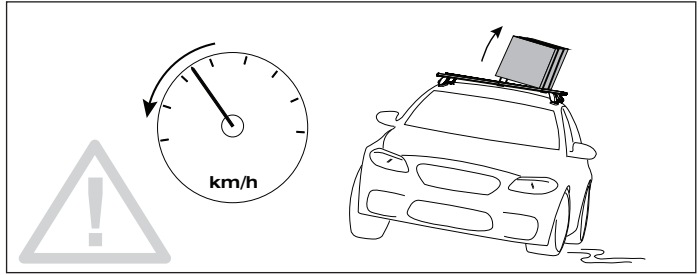
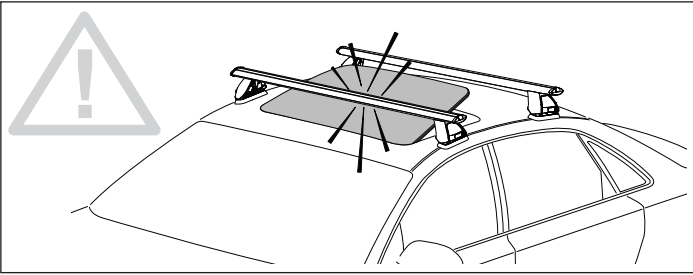
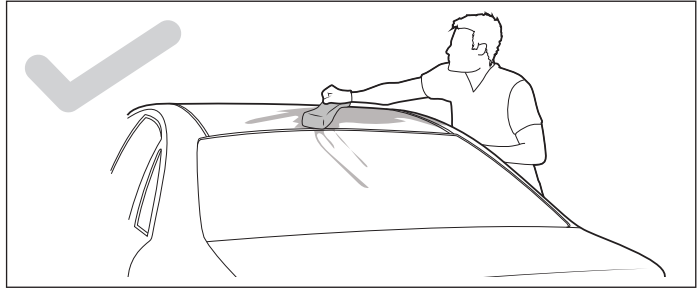
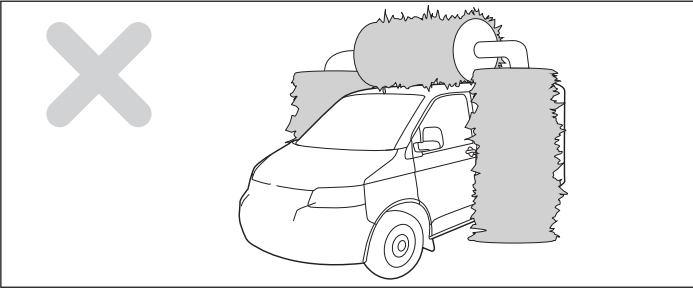
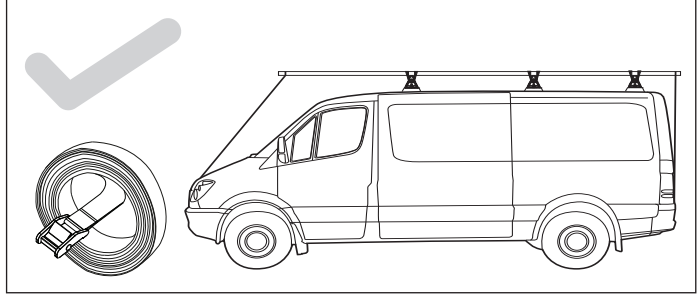
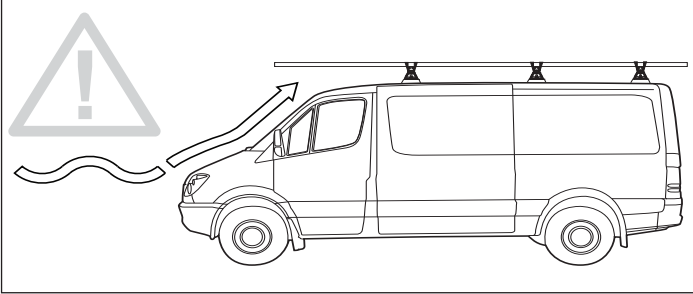
Document No: R074
Prepared By: Kayle Everett
Authorised By: Nicholas Clarke

Fit Time: 25min
Issue No: 16
Issue Date: 19/10/2018

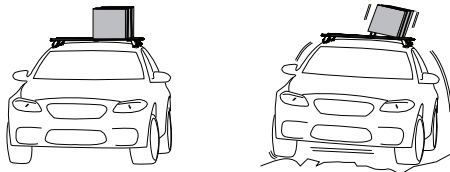
These instructions remain the property of Rhinorack Australia Pty Ltd and may not be used or changed for any other purpose than intended.



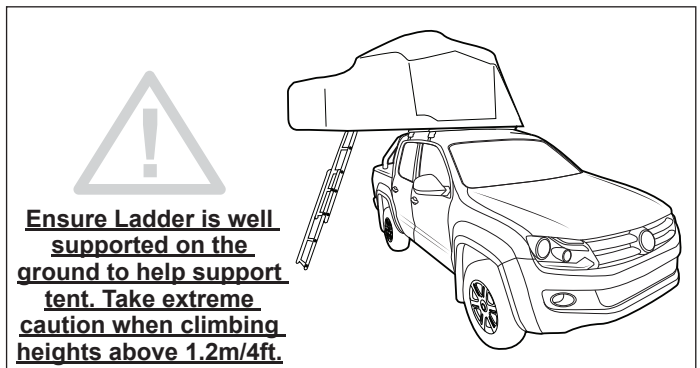
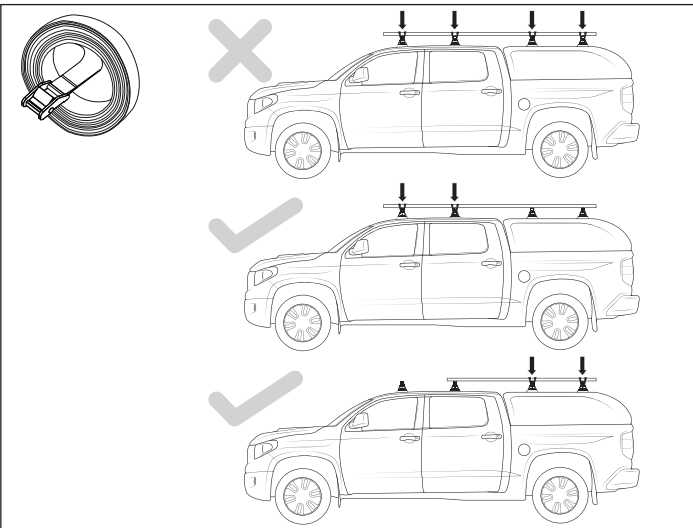
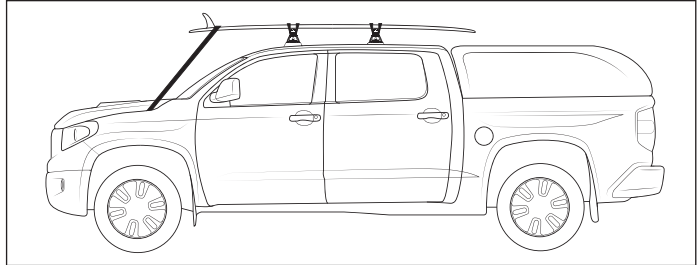
Rhino-Rack Pioneer SX



When these roof racks are to be used on a vehicle that is driven off sealed roads the maximum load rating must be divided by 1.5. Remember to subtract the weight of the roof racks to determine your maximum permissible load capacity.



2 bars 100kg (220lbs) load rating (Urban road)	=	2 bars 66kg (145lbs) load rating (Off road)
Load rating not taking into account crossbar weight - 5kg		



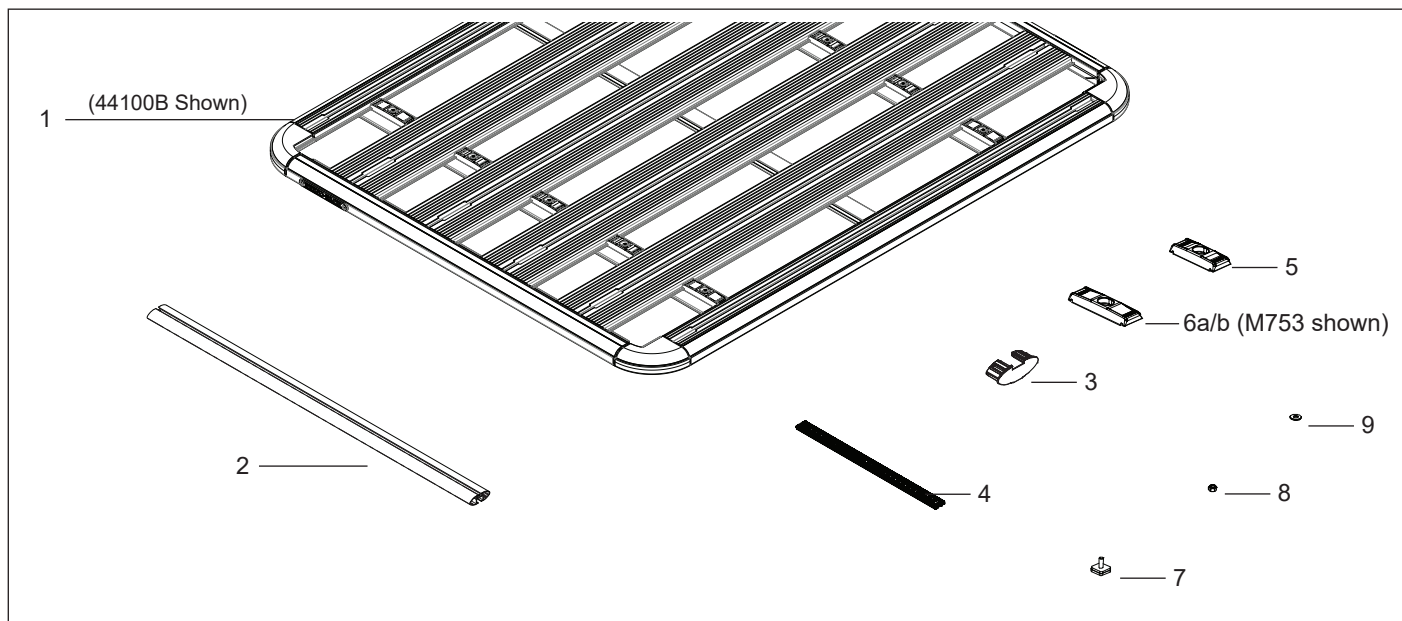
Ensure Ladder is well supported on the ground to help support tent. Take extreme caution when climbing heights above 1.2m/4ft.



Rhino-Rack Pioneer SX

Parts List

Item	Component Name	Part No.	Quantity			
			44100B	44101B	44102B	44103B
1	Pioneer Tray Assembly - Black	-	1	1	1	1
2	Crossbar Black (1148mm/1288mm) VA	A614/A615	2	2	2	2
3	Pioneer SXB Endcap	M562	4	4	4	4
4	Under Bar Measure Strip - 270mm	M641	4	4	4	4
5	Plastic Locking Tab - Centre	M753	6	8	6	8
6a	Plastic Locking Tab - Side	M754	4	-	4	-
6b	Plastic Locking Tab - Side	M756	-	4	-	4
7	M6 x 15mm T-Bolt (with Foam Tape)	B260	10	12	10	12
8	M6 x OD16mm Flat Washer	W031	10	12	10	12
9	M6 Nyloc Nut	N013	10	12	10	14
10	Fitting Instructions	R074	1	1	1	1



Tools Required: Tape Measure, Stanley Knife or Cutters, Rubber Mallet, Ratchet with 10mm Socket, 5mm Security Allen Key (provided in kit)

Maximum carrying capacity: Refer vehicle manufacturer specifications, less weight of alloy tray below (includes leg kits):
(44100B = 19.5kg, 44101B = 22.5kg, 44102B = 25kg, 44103B = 29.5kg)

Recommendations:

It is essential that all bolt connections be checked after driving a short distance when you first install your cross bars. Bolt connections should be checked again at regular intervals (probably once a week is enough, depending on road conditions, usage, loads and distances travelled). You should also check the alloy tray each time it is re-fitted. Make sure to fasten your load securely. Please ensure that all loads are evenly distributed and that the centre of gravity is kept as low as possible.

Sensitivity to cross winds, behaviour in curves and braking.

The handling characteristics of the vehicle, changes when you transport a load on the roof. For safety reasons, we recommend you exercise extreme care when transporting wind-resisting loads; special consideration must be taken into account when braking.

Load Ratings:

Maximum permissible load is set by the vehicle manufacturer less the weight of trays above (weights above include leg kits). When alloy trays are to be used in off-road conditions, please build a safety factor of 1.5 into this load limit. Although the alloy trays are tested and approved to AS1235-2000, Australian road conditions can be much more rigorous. However, increasing the number of mount points to the vehicle does not increase the vehicles maximum permissible roof loading.



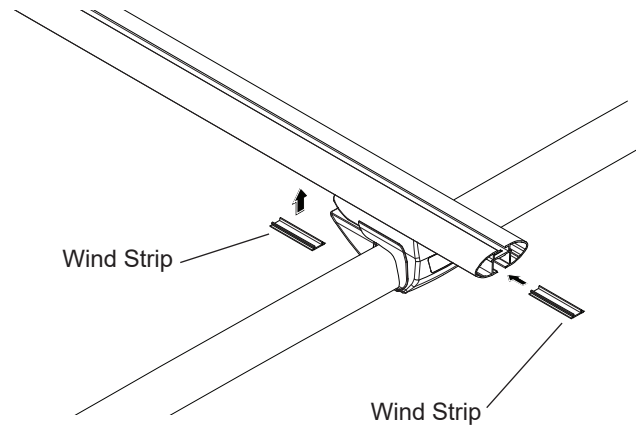
Rhino-Rack Pioneer SX

1 Fit SX Legs and Crossbars to Vehicle

Refer to the fitting instructions provided with the SXB leg kit and proceed to fit the crossbars to the vehicles rails.

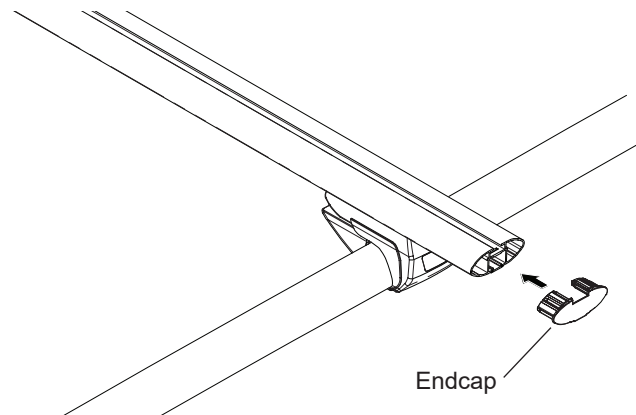
2 Cut and Insert Wind Strips

Measure the gaps underneath the crossbar on either side of the legs and cut the wind strips to the appropriate size. Insert the wind strips as shown below.



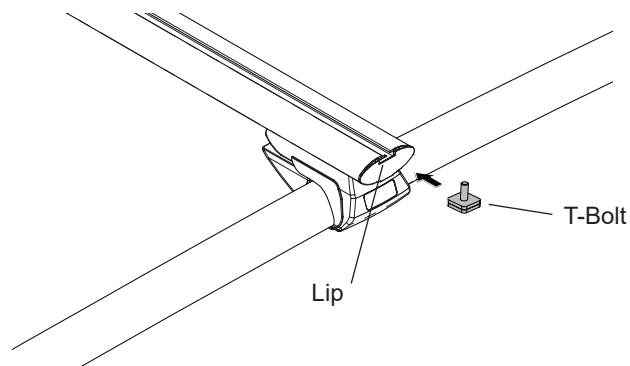
3 Insert Endcaps into Crossbars

Insert the endcaps into the ends of each crossbar as shown below. You may need to use a rubber mallet.



4 Insert T-Bolts into C Channel

Insert T-Bolts into each end of the crossbars sliding them over the lip on the endcap. Once inserted slide the T-Bolts roughly into position so that they will sit in the gaps between the planks of the tray. Take measurements off the tray as required.



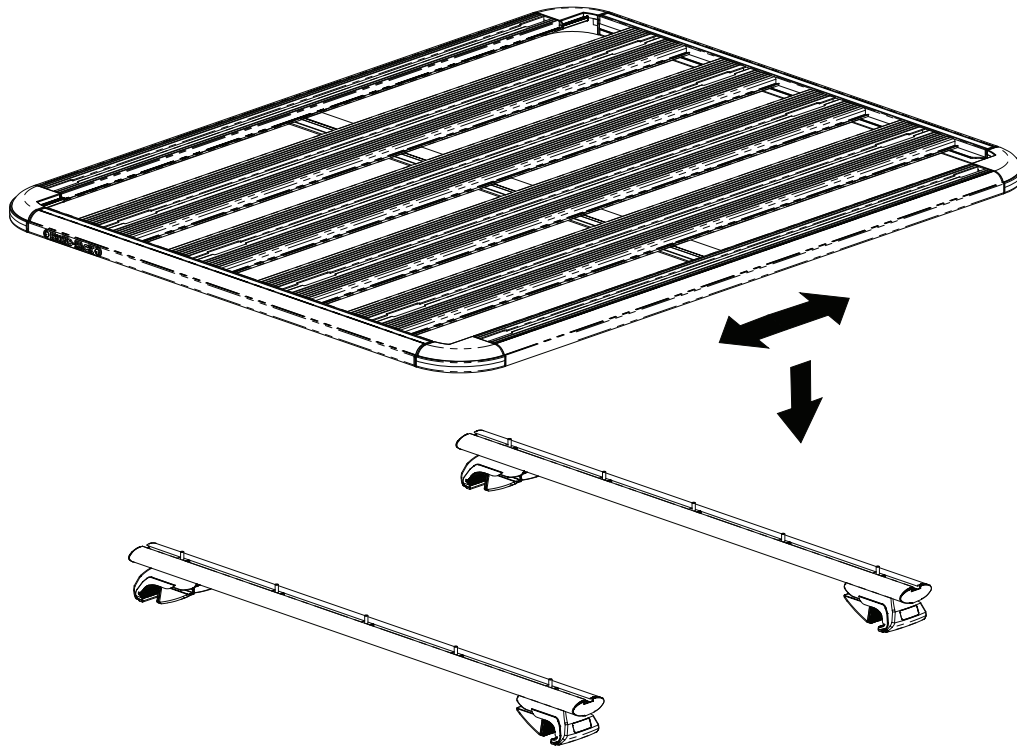


Rhino-Rack Pioneer SX

5 Lower Tray onto crossbars and Position

Lower Pioneer Tray onto the crossbars so that the sides of the tray sit over the ends of the crossbars. Position tray on the vehicle, the tray should easily slide forward and backwards on the crossbars.

Note: If your vehicle has a tailgate that lifts up, be sure to allow enough clearance between the tray and the tailgate.



6 Fix Planks to Crossbars using Locking Tabs

Place locking tabs (M753) over the T-Bolts between the planks and lower in place, they should sit across both planks on either side of the tab. Do the same for the side locking tabs provided in your kit.

Note: The side tabs may be shorter or longer than the M753 tab depending on the tray size purchased.

