

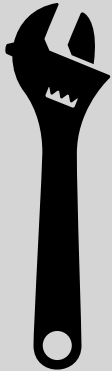


## 3312 TRUSS Tent Mating System

- Standard
- iKamper 2.0
- iKamper 3.0

Thank you for trusting upTOP™ as your choice for adventure gear. We proudly design, develop, test, and manufacture our products along the front range of the Rocky Mountains in Colorado.

A lot of thought has gone into this product design so that you can install and maintain the product yourself. Browse these instructions to familiarize yourself with the process and required tools prior to beginning your installation. If at any time you do not feel confident completing the installation yourself we recommend professional installation of this product through our network of authorized resellers all over the globe. You can find more information about authorized retailers and installation centers under our dealer locator tab located on our website.



### TOOLS REQUIRED:

- 5/32 Allen
- 13mm wrench
- Tape Measure
- Pry Tool (For your end caps)

### NOTE

Once you've removed your end caps from your TRUSS cross bars we recommend applying a dab of silicone to the posts prior to reinstallation to prevent them from coming loose.

## NOTES ABOUT INSTALLATION

- For “**Standard**” application you will use mounting hardware provided with your roof top tent. This hardware should install to the mounting rails/channels on the underside of your tent and the bolts will drop into the 3312 brackets. To ensure compatibility you are encouraged to use the washers and nuts supplied with your roof top tent. The wrench size will be dictated by the hardware size provided with your roof top tent.
- **iKamper 2.0** kits are supplied with pressed stud inserts that will fit in your mounting channels. The pressed studs will drop into the 3312 brackets and you will use the provided washers and nuts to attach them together using a 13mm wrench.
- **iKamper 3.0** kits are supplied with formed and pressed stud inserts that will fit into your mounting channels. The pressed studs will drop into the 3312 brackets and you will use the provided washers and nuts to attach them together using a 13mm wrench.
- **iKamper 2.0 and 3.0** refers to the mounting system originally supplied with your roof top tent and not necessarily the version number of the tent that you own. It is the end users responsibility to compare and verify mounting hardware version supplied with your iKamper product.

### 3312 TRUSS Tent Mating System STANDARD

Part Number	Qty	Description
3312 TRUSS L Bracket	6	Formed Bracket-Black
ETD 010	12	Threaded Insert Black ZP
43826514008-BL	24	1/4-20 x .500" Black Zinc SS Bolt
4305108-BL	24	1/4 Lock Washer Black Zinc SS
433403108-BL	24	1/4 Flat Washer Black Zinc SS
VC3 1mL	1	1mL Pillow Pack Thread Lock

### 3312 iKamper 2.0 Additional Products

All products listed with standard kit plus....

Part Number	Qty	Description
4071	6	M8x1.25 40mm PEM Insert SS
4411308125-692	6	M8x1.25 Locking Flange Nut ZP
4397308024	6	8x24mm Fender Washer SS

### 3312 iKamper 3.0 Additional Products

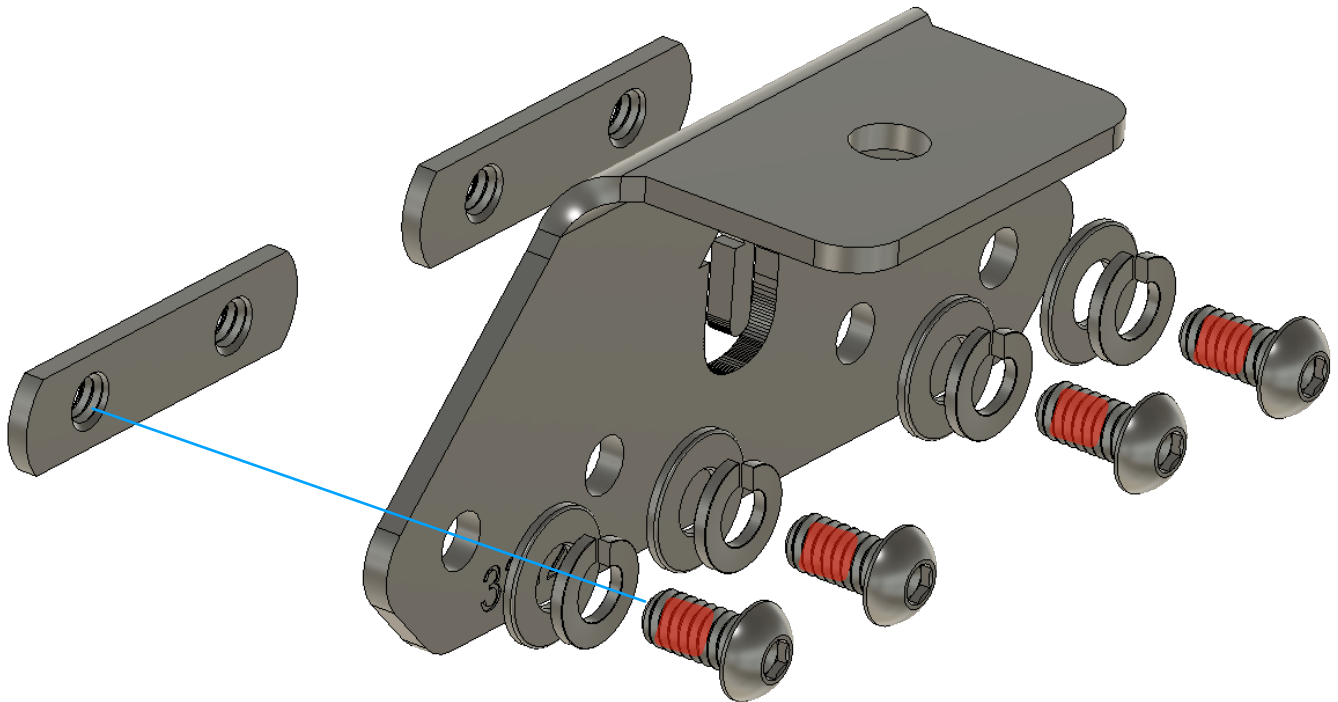
All products listed with standard kit plus....

Part Number	Qty	Description
4091	6	M8x1.25 40mm Formed PEM Insert SS
4411308125-692	6	M8x1.25 Locking Flange Nut ZP
4397308024	6	8x24mm Fender Washer SS

#### **VC3 Thread Lock**

- Please apply the VC3 thread lock to all bolts (438265140080-BL) included with your kit and allow to air dry for 30 minutes prior to assembly/installation. **DO NOT** install the bolts when the VC3 is wet or sticky.

### 3312 Hardware Assembly



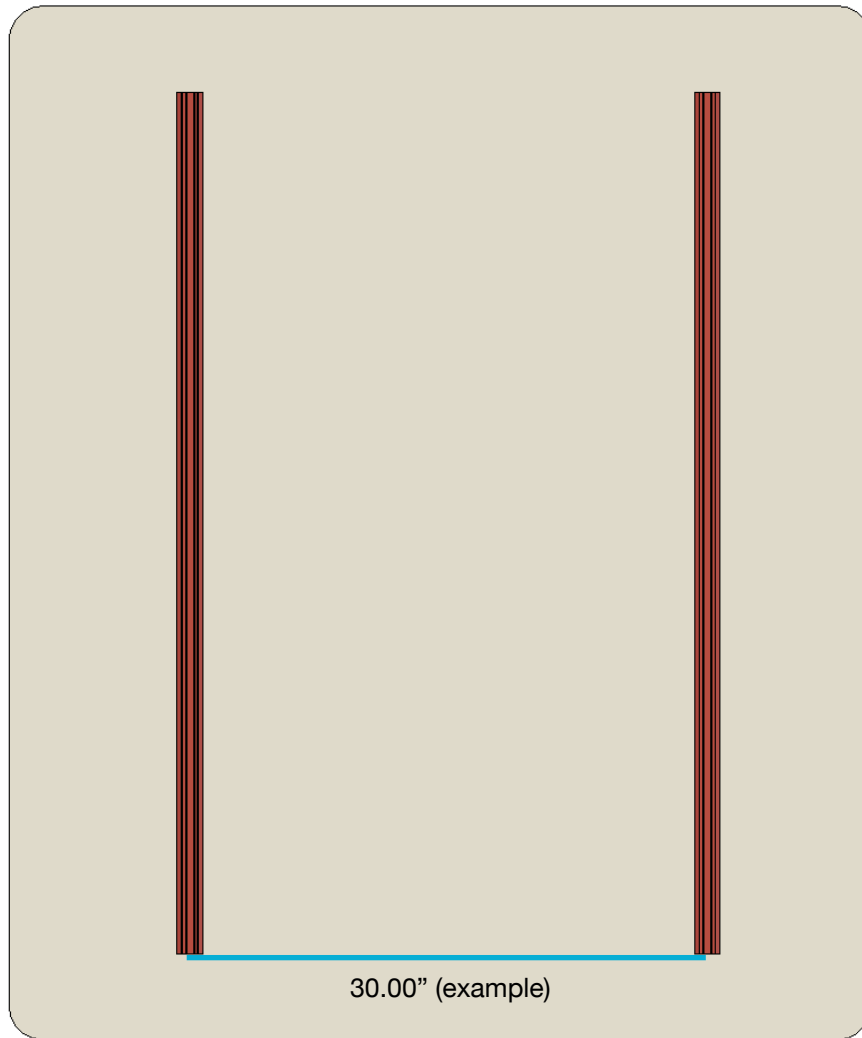
### 3312 Hardware Assembly

All of the 3312 brackets in your kit will be assembled as shown above. The threaded inserts will be placed into your TRUSS cross bars and you will attach the brackets with the hardware as indicated.

Installation of this product **DOES NOT** require disassembly of the TRUSS bed rack but you do have to remove the cross bar end cap on one end of each cross bar to access the channel so you can install the inserts.

- Each bracket requires two threaded inserts as pictured. They are offset to the sides to allow clearance for the tent mounting studs so that you can make minor adjustments to the brackets to help align to your roof top tent.
- Remove the end cap from each TRUSS cross bar on one side of the bed rack. You can install the threaded inserts from one end and slide them over. We will cover that later.

## TENT MEASUREMENTS



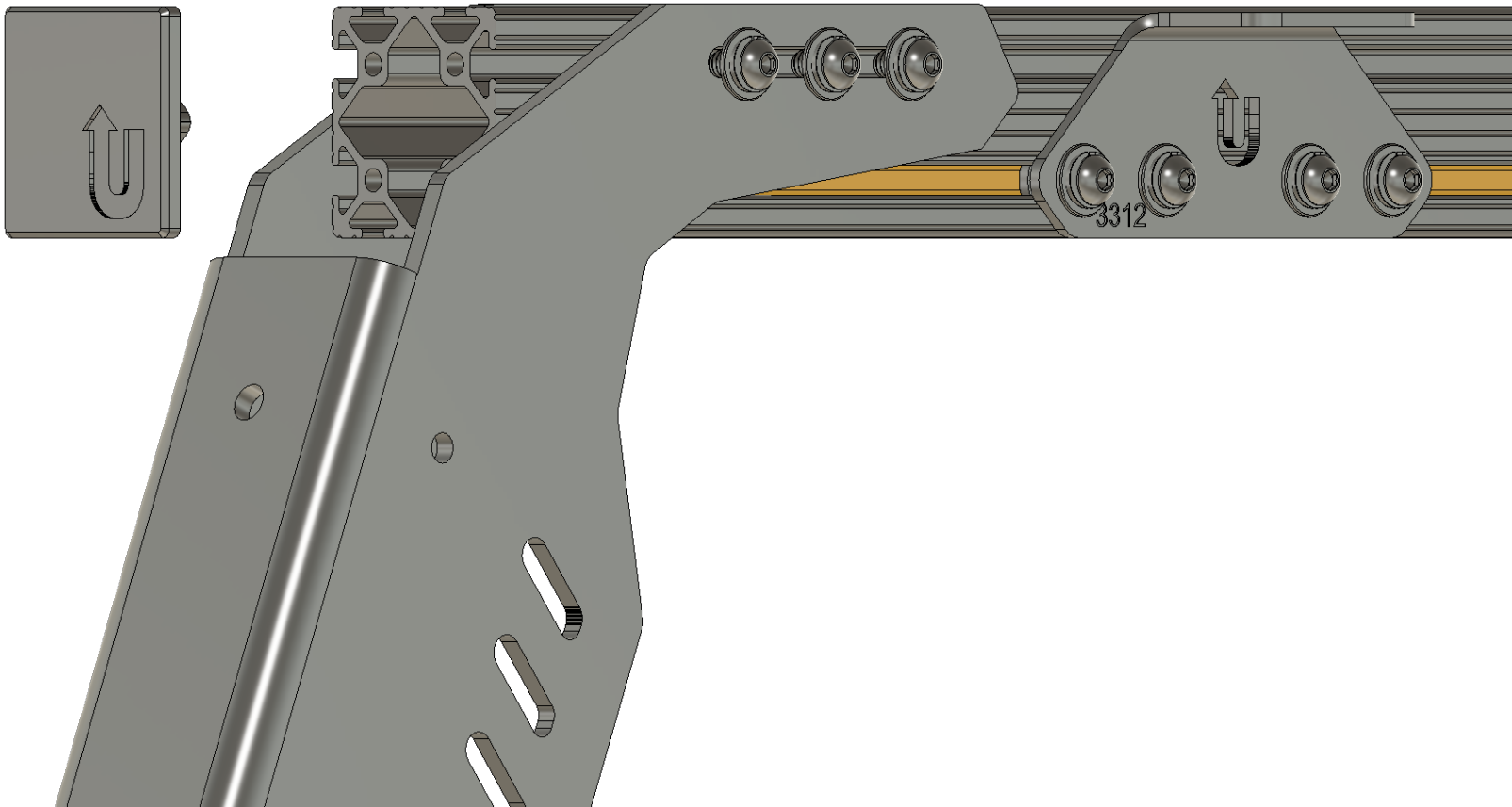
### Tent Measurement

**Before we get into the magic we need to get a measurement of the center distance between the mounting rails on our roof top tent. This will help us position the 3312 brackets on the cross bars so that we can just drop the tent into place and bolt it into position.**

In the image above we are looking at the bottom side of the tent where the mounting rails are located. This distance will be different for all variety of roof top tent but for our example we have measured it and it is 30.00" center to center of the mounting rails.

Measure yours and record that number here for reference: \_\_\_\_\_

## 3312 Installation

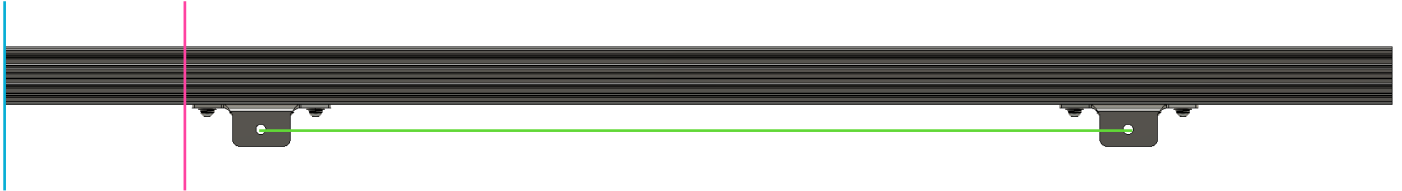


## 3312 Installation

**Although it doesn't matter which side you install the brackets from a cosmetic stand point if you install the brackets so that they face the cab of the truck they will be concealed from view when standing at the tailgate area of the truck.**

- Remove the end cap from your TRUSS cross bar.
- Install four (4) threaded inserts into the channel highlights in ORANGE and push them in far enough that they clear the TRUSS leg. You are installing four (4) because each cross bar will get two (2) 3312 brackets and you can slide them across into place.
- Repeat this process on the two remaining cross bars and reinstall the end caps. We recommend a dab of silicone on the end caps at this time as once they have been removed and reinstalled they can detach under heavy vibration.
- If you are installing this on an eight (8) leg AFS TRUSS system you will only be using three (3) of the four (4) cross bars. You pick.

## 3312 Placement



## 3312 Placement

**Using the end of your cross bars as a reference point measure and adjust the placement of your 3312 brackets to align with your tent mounting rail measurements from page 4.**

### **Example:**

We measured our center to center mounting rails on the tent at 30.00" and for this TRUSS system the cross bars are 50.00" wide. (TRUSS cross bar width varies by truck so be sure that you double check yours. They can be 50.00", 54.00", 60.00", or 70.00" depending on application.)

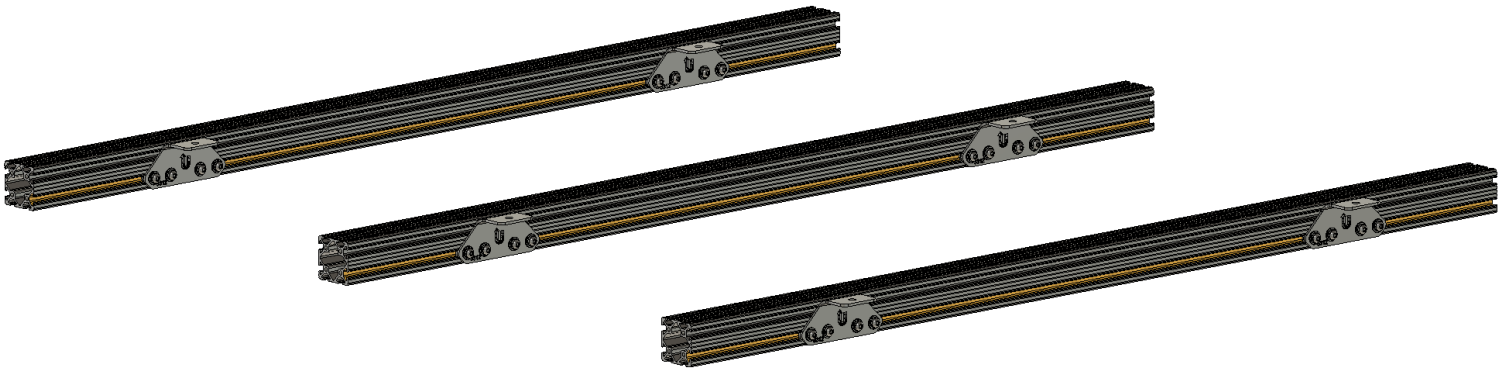
*From either edge of the 3312 the distance to the center hole in the mounting flange (bent tab) is 2.00".*

*Knowing that if we measure 7.625" (7 5/8") from the end of our cross bar (blue line) to the edge of the 3312 (pink line) and place the 3312 brackets at those locations/spacing from both ends of the cross bar our center holes will set exactly 30.00" apart (green line) and the tent will fit perfectly.*

***I know this is confusing.....but relax.***

The 3312 brackets aren't tight yet and they easily slide back and forth to help everything line up. If you aren't the best at math just get them loosely mounted for now and you can situate the brackets as you install the tent.

## 3312 Installed



## 3312 Installed

*TRUSS Parts Not Shown*

Once you have all six (6) 3312 brackets attached to your cross bars and adjusted into place you are ready to install your tent.

The next couple of pages cover the standard, iKamper 2.0, and iKamper 3.0 mounting variants. Feel free to skip to the one that applies to you.

## STANDARD



### Standard Version

**When you order the standard kit we intend for you to use the mounting hardware provided with your roof top tent. A vast majority of roof top tent manufacturers use a product similar to that pictured above consisting of an aluminum insert shaped to go in your tent mounting rail coupled with a bolt that drops into a hole. Most tents arrive with eight (8) pieces of this but you only require six (6) to use our kit.**

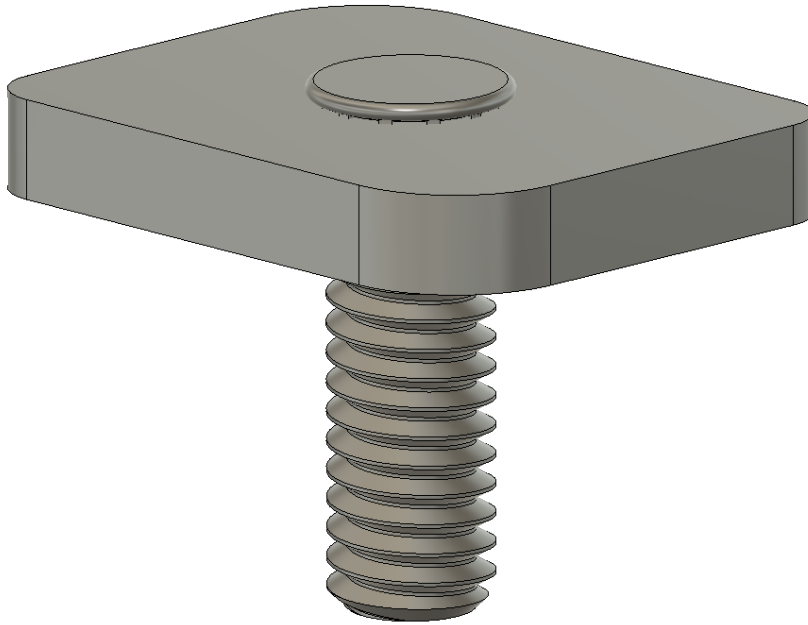
**With this type of mounting system the bolt fits into the recessed area of the mounting insert to prevent it from rotating/spinning while you tighten your hardware.**

**If your tent did not come with this hardware you should reach out to the manufacturer of your tent to obtain the proper track hardware to complete your installation.**

- Assemble and install three (3) mounting hardware sets as pictured above into each mounting track/channel of your tent.
- Most of the bolts supplied with tents are very long. They can be replaced or cut down to size as needed.
- Proceed to page 11.



## iKamper 2.0

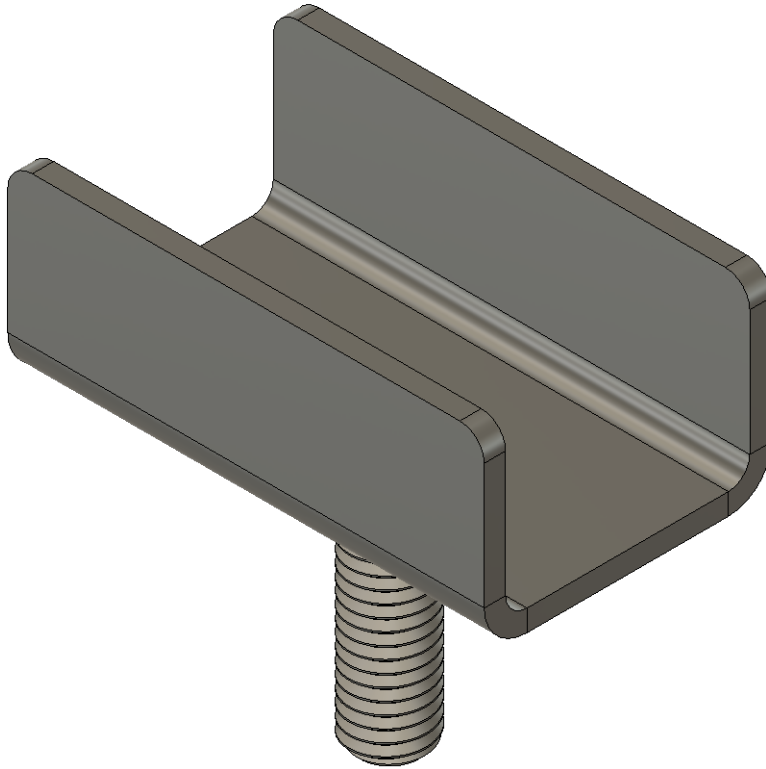


## iKamper 2.0

**Provided with the kit based your order preferences the iKamper 2.0 version will include six (6) part number 4071, which are stainless steel laser cut blanks with studs pressed into them designed to fit right into your iKamper 2.0 style mounting rails.**

- Install three (3) 4071 as pictured above into each mounting track/channel of your tent.
- For reference the thread pitch of the supplied stud is M8x1.25
- Proceed to page 11.

## iKamper 3.0



## iKamper 3.0

**Provided with the kit based your order preferences the iKamper 3.0 version will include six (6) part number 4091, which are stainless steel laser cut and formed parts with studs pressed into them designed to fit right into your iKamper 3.0 style mounting rails.**

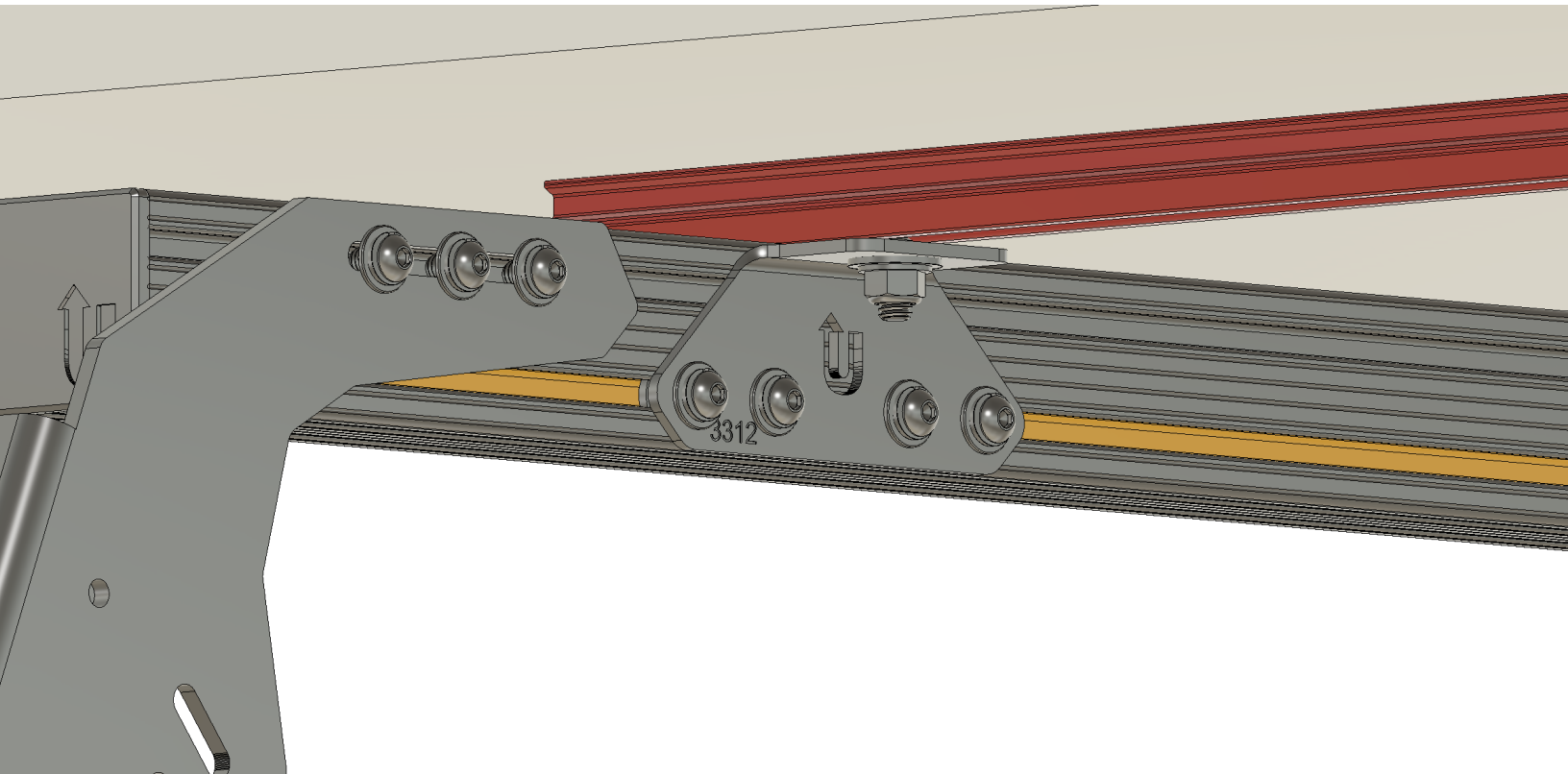
- Install three (3) 4091 as pictured above into each mounting track/channel of your tent.
- For reference the thread pitch of the supplied stud is M8x1.25
- Proceed to page 11.

## Tent InstalalTION

### Warning

The majority of roof top tents are quite heavy and the size makes them awkward to try and lift onto the vehicle by yourself. It's just not safe so we recommend either a hoist device or a couple of pals to help you lift and position the tent onto your TRUSS bed rack.

DO NOT EVER, EVER....try and do this on your own. You're going to damage your tent, your truck, yourself, or all three.



## Tent Installation

### With help....

- Lift the tent up onto the TRUSS bed rack taking care to slide and align the mounting bolts of your roof top tent to align with the holes in the flange of each 3312 bracket.
- Gently sit the tent down into place.
- Make your side to side and front to back adjustments to get the tent positioned on the bed rack as desired. We like centered for weight distribution but if it needs to be offset for clearance around other pieces of gear this is definitely a function over form moment.
- Install the washers/nuts provided with your roof top tent (standard) or iK2/iK3 variant and fully tighten the hardware.
- Use a 5/32 Allen wrench to fully tighten (3 ft.Lb) the hardware for each 3312 bracket.

## Contact Information

**upTOP Overland**  
**2278 Manatt Court**  
**Unit C11**

**Castle Rock, Colorado 80104 720.730.6381 support@uptopoverland.com**

**Do your part.** Our company is founded and staffed by outdoor enthusiasts that understand how fragile our planet really is. The most important message that we can impart to you about enjoying our open spaces is to leave them better than you found them. Don't be a dick. Pick up after yourself. Pick up after others that don't and when possible educate them as to why they should. Stay on designated trails, camp sites, and pathways. If you take it with you, bring it back with you. There are no excuses.

**Manufacture responsibly.** We strive to produce an American made product that will perform as intended for many years and we try very hard to do that with locally sourced materials from other small businesses because relationships matter to us. When absolutely necessary we will import components for our products from other countries and we maintain strict guidelines for the companies we work with to ensure that their employees are treated with dignity and respect.

**Lifetime warranty.** As over-engineered as some of our products can be eventually something will break. We will repair or replace at our discretion any product found defective due to manufacturing deficiencies. This warranty does not cover abuse, misuse, neglect, ignorance, or damage caused from exceeding the recommended weight loads of the product. This warranty covers only products manufactured or used in the manufacture of upTOP Overland products. Third party products purchased from upTOP Overland are subject to the origin company the product was sourced from.

**Content sharing.** We love to see all the pictures and videos of our stuff in action on your rig. You can share the content via email and/or social media 24/7 and if we share it with our audience we will credit the photographers and vehicle owners whenever possible.

**upTOP Overland** is a US based manufacturer of off road products operating out of Colorado. All information contained in this material is the intellectual property of Relic Automotive Design, dBA upTOP Overland. Duplication, alteration, or distribution of this material without express written permission from upTOP Overland is forbidden. Just. Don't.

© 2023 upTOP Overland Revision 4.26.23