

2

1

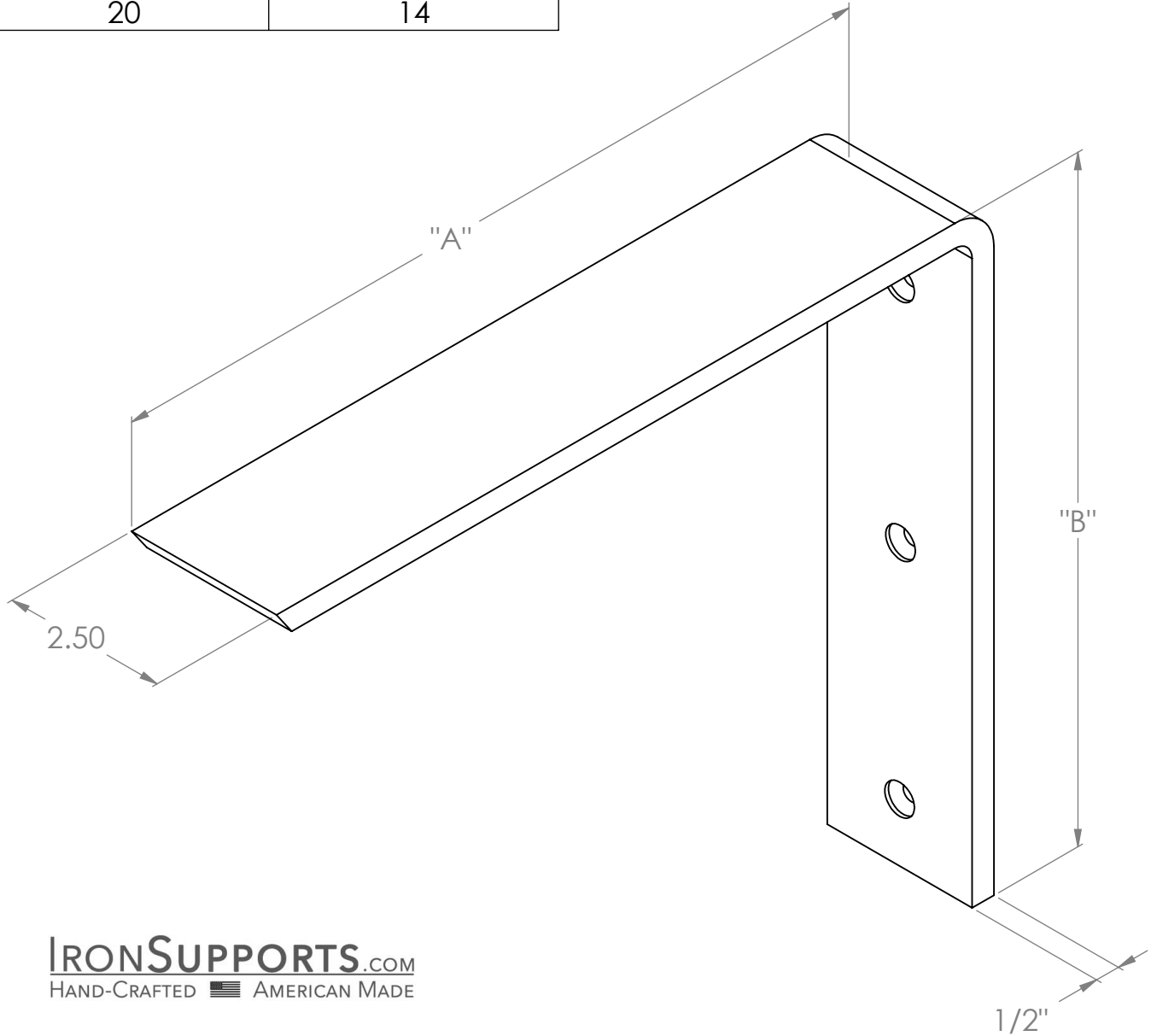
LENGTH "A" (INCHES)	LENGTH "B" (INCHES)
8	6
10	8
12	10
14	10
16	12
18	12
20	14



SCREWS INCLUDED

B

B



IRONSUPPORTS.COM
HAND-CRAFTED AMERICAN MADE

A

A

PROPRIETARY AND CONFIDENTIAL
THE INFORMATION CONTAINED IN THIS DRAWING IS THE SOLE PROPERTY OF IRON SUPPORTS ANY REPRODUCTION IN PART OR AS A WHOLE WITHOUT THE WRITTEN PERMISSION OF IRON BRACKET CO IS PROHIBITED.

MATERIAL **STEEL**
FINISH **BLK PWDR COAT**
DO NOT SCALE DRAWING

	NAME	DATE
DRAWN	SJM	8/14/2010
MFG APPR.	ADA	9/10/2010
ENG APPR.	RRH	9/18/2010

DIMENSIONS ARE IN INCHES
TOLERANCES: +/- 0.100
FRACTIONAL ± 0.030"
ANGULAR: MACH ± 1 BEND ± 1
TWO PLACE DECIMAL ± 0.030"
THREE PLACE DECIMAL ± 0.010"

IRON SUPPORTS

**90 DEGREE HIDDEN
COUNTERTOP SUPPORT**

SIZE A	DWG. NO. S4	REV. A
SCALE:1:5	WEIGHT: VARIES	SHEET 1 OF 1

2

1