

STANDARD FRONT MOUNT COUNTERTOP BRACKET

Installation Instructions

IRON SUPPORTS.COM
HAND-CRAFTED  AMERICAN MADE

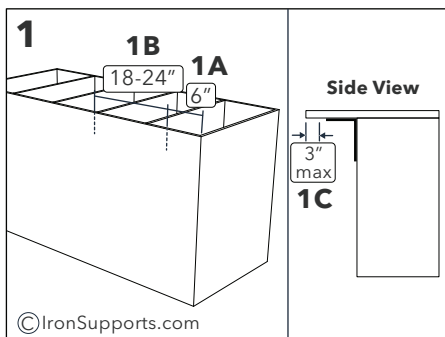
www.IronSupports.com
hello@ironsupports.com
(888) 971-3771
Sheboygan, WI. 53083



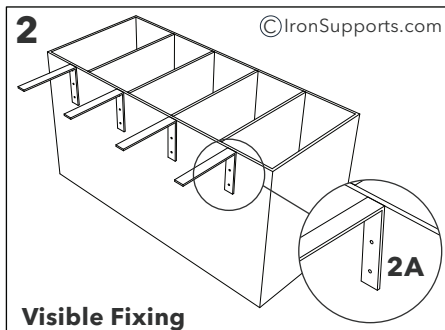
Safety Information

- Use the correct tools.
- Wear protective eye wear & proper safety equipment.
- When using tools or modifying anything follow manufactures instructions & user manuals.
- Always use common sense & follow good construction practices.
- Ask a professional when installing brackets for load bearing applications.
- Always mount brackets to a structure that is able to support the brackets and the weight that may be applied to it.
- Any use of this product in a way other than what it is intended for is not recommended.

Steps



1. Measure and mark the appropriate mounting locations on the face of the wall or cabinet boxes.
 - 1A. Start at 6" inches in from the edges.
 - 1B. Space remaining brackets 18" - 24" apart.
 - 1C. No more than 3" past the edge of the bracket should be unsupported.



2. Choose how you'd like your iron supports to be installed:
 - 2A. **Visible Fixing:** the brackets are visible and fixed directly onto the joinery/substrate
 - 2B. **Concealed Fixing:** a rebate is created in the joinery/substrate, making it sit flush

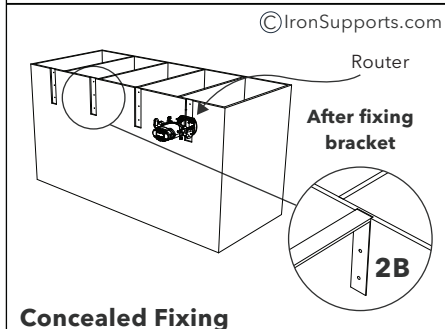
For a **visible fixing**, go straight to Step 3.

For a **concealed fixing**, you can do one of the following,

- A: Fur out the wall or base the thickness of the brackets and apply finished substrate over the top
- B: Create a rebate in the substrate with either of the following methods

POWER TOOLS: Use a Top Bearing Flush Trim router with a 1/2" deep cutting length and cut a rebate into the substrate the same height as the height of the iron support.

MANUAL TOOLS: Use a hand saw and cut along the substrate to a depth of 1/2", making the height of the rebate the same as the height of the iron support. Then using a wood chisel (1" is a good choice) remove the excess wood between the lines you just created.



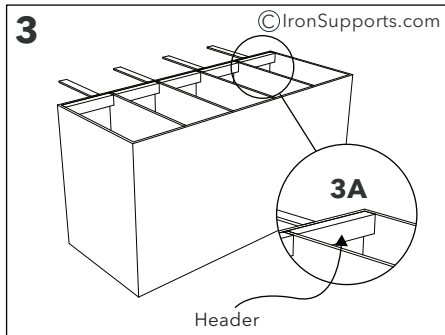
STANDARD FRONT MOUNT COUNTERTOP BRACKET

Installation Instructions

IRON SUPPORTS.COM
HAND-CRAFTED  AMERICAN MADE

www.IronSupports.com
hello@ironsupports.com
(888) 971-3771
Sheboygan, WI. 53083

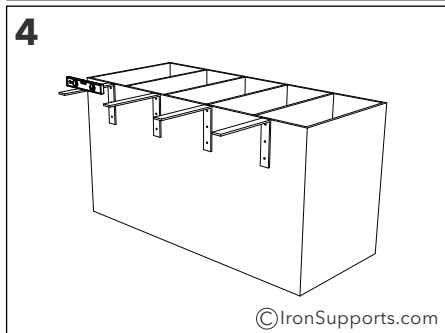
Steps



- 3. 3A. IMPORTANT NOTE:** You must make sure you are securing these brackets to a stable surface suitable for supporting the weight that will be applied. It is highly recommended that these brackets be secured to a 2x4 or 2x6 stud or a header. Blocking behind cabinet carcasses is a must. (see illustration for example of how to block cabinet base with a 2 x 4 or 2 x 6.)

Place the bracket into the mounting channel and affix the bracket to the cap using ALL of the included #12 wood screws.

PRO TIP: Pre-drill holes using a 9/64" bit. This will help ensure the wood doesn't split.



- 4.** Use a level to ensure the brackets are level. If necessary, use shims to make the bracket level.

- 5.** Prior to setting the top in place, run a bead of high-quality silicone adhesive down the center of each bracket.

