

HIDDEN ISLAND COUNTERTOP BRACKET

Installation Instructions

IRON SUPPORTS.COM
HAND-CRAFTED  AMERICAN MADE

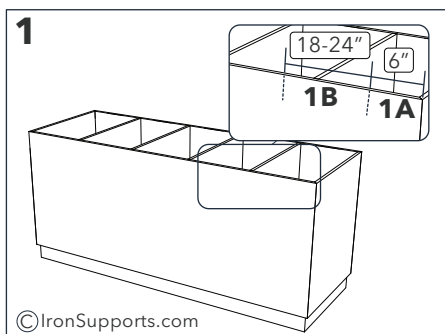
www.IronSupports.com
hello@ironsupports.com
(888) 971-3771
Sheboygan, WI. 53083



Safety Information

- Use the correct tools.
- Wear protective eye wear & proper safety equipment.
- When using tools or modifying anything follow manufactures instructions & user manuals.
- Always use common sense & follow good construction practices.
- Ask a professional when installing brackets for load bearing applications.
- Always mount brackets to a structure that is able to support the brackets and the weight that may be applied to it.
- Any use of this product in a way other than what it is intended for is not recommended.

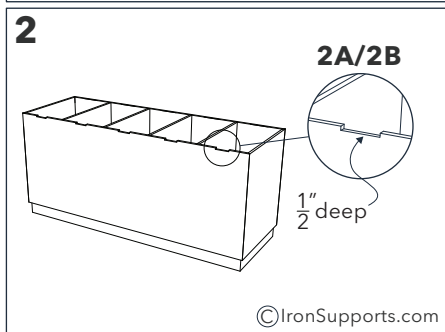
Steps



1. Measure and mark the appropriate mounting locations on the cabinet base or framing.

1A. Start at 6" inches in from the edges

1B. Space remaining brackets 18" - 24" apart.

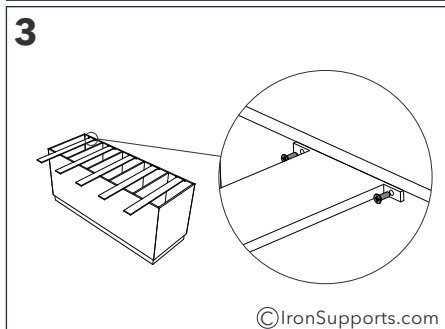


2. Create mounting channel ONLY on the edge where the countertop will overhang.

2A. POWER TOOLS: Use a Top Bearing Flush Trim router with a 1/2" deep cutting length and trim the excess wood out of the mounting surface.

2B. MANUAL TOOLS: Use a hand saw and cut along each line to a depth of 1/2". Then using a wood chisel (1" is a good choice) remove the excess wood between the lines you just created.

Be sure to remove all the material in the mounting channel so you have a clean, level channel for the bracket to be seated in.



3. Sit the bracket inside the mounting channel with the other end of the bracket against the carcass panel on the other side of the joinery. Screw the bracket into the carcass with the two screws provided per bracket.

PRO TIP: Pre-drill holes using a 9/64" bit. This will help ensure the wood doesn't split.

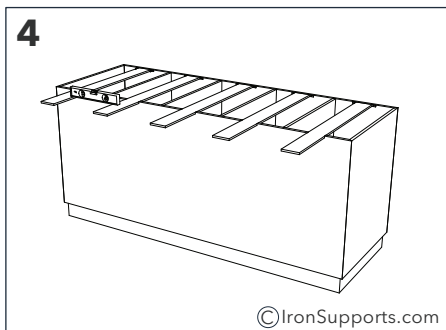
HIDDEN ISLAND COUNTERTOP BRACKET

Installation Instructions

IRON SUPPORTS.COM
HAND-CRAFTED  AMERICAN MADE

www.IronSupports.com
hello@ironsupports.com
(888) 971-3771
Sheboygan, WI. 53083

Steps



4. Use a level to ensure the brackets are level. If necessary, use shims to make the bracket level.

5. Prior to setting the top in place, run a bead of high-quality silicone adhesive down the center of each bracket.

