

2

1

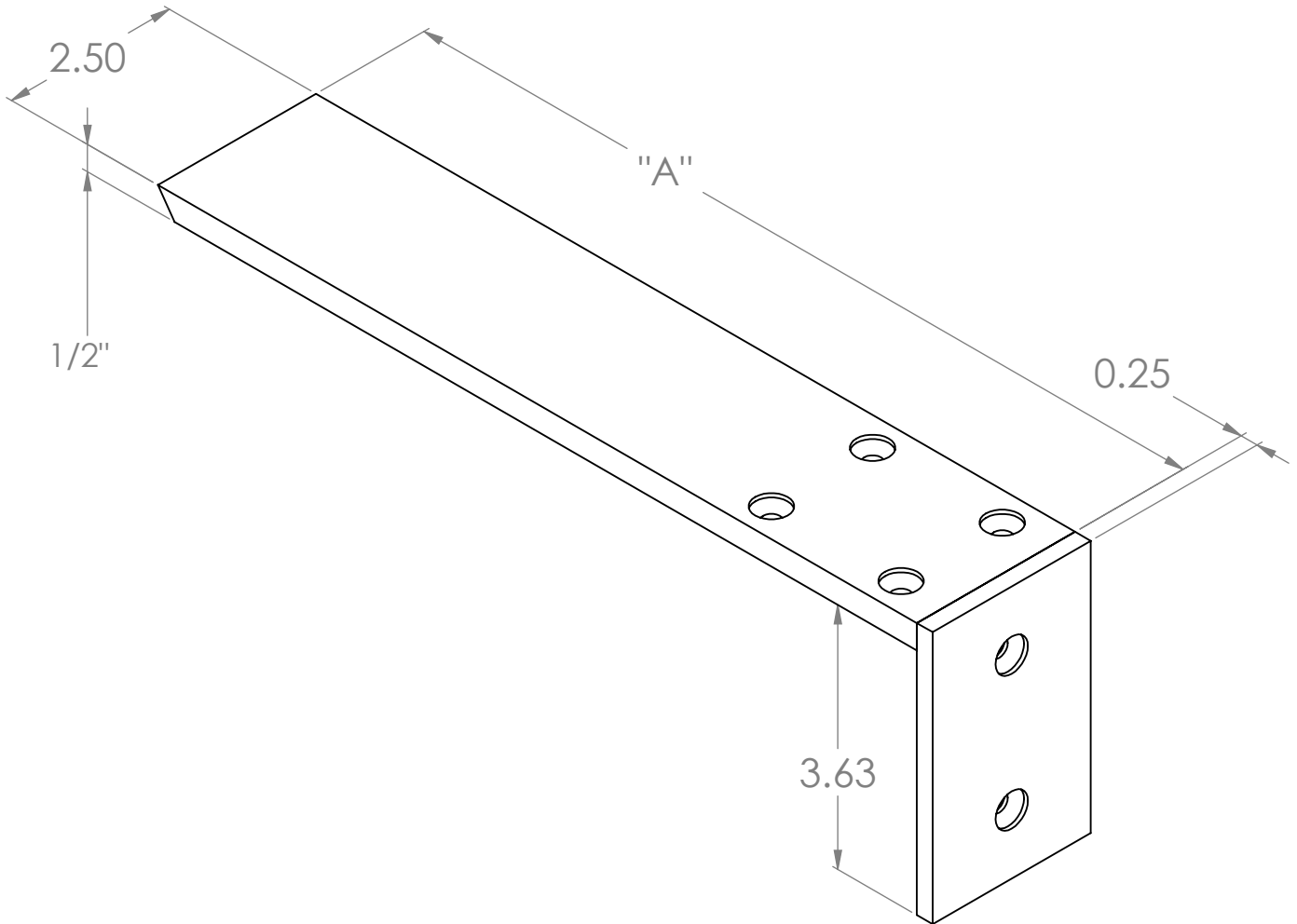
LENGTH "A" (INCHES)
10
12
14
16
18
20
22



SCREWS INCLUDED

B

B



**IRONSUPPORTS.COM**  
HAND-CRAFTED AMERICAN MADE

A

A

**PROPRIETARY AND CONFIDENTIAL**  
THE INFORMATION CONTAINED IN THIS DRAWING IS THE SOLE PROPERTY OF IRON SUPPORTS ANY REPRODUCTION IN PART OR AS A WHOLE WITHOUT THE WRITTEN PERMISSION OF IRON BRACKET CO IS PROHIBITED.

MATERIAL	STEEL
FINISH	BLK PWDR COAT
DO NOT SCALE DRAWING	

	NAME	DATE
DRAWN	SJM	8/14/2010
MFG APPR.	ADA	9/10/2010
ENG APPR.	RRH	9/18/2010

DIMENSIONS ARE IN INCHES  
TOLERANCES: +/- 0.100  
FRACTIONAL ± 0.030"  
ANGULAR: MACH ± 1 BEND ± 1  
TWO PLACE DECIMAL ± 0.030"  
THREE PLACE DECIMAL ± 0.010"

**IRON SUPPORTS**

**WELDED HIDDEN  
COUNTERTOP SUPPORT**

SIZE	DWG. NO.	REV.
<b>A</b>	S2	<b>A</b>
SCALE:1:5	WEIGHT: VARIES	SHEET 1 OF 1

2

1