

2

1

OVERALL LENGTH
"A" (INCHES)

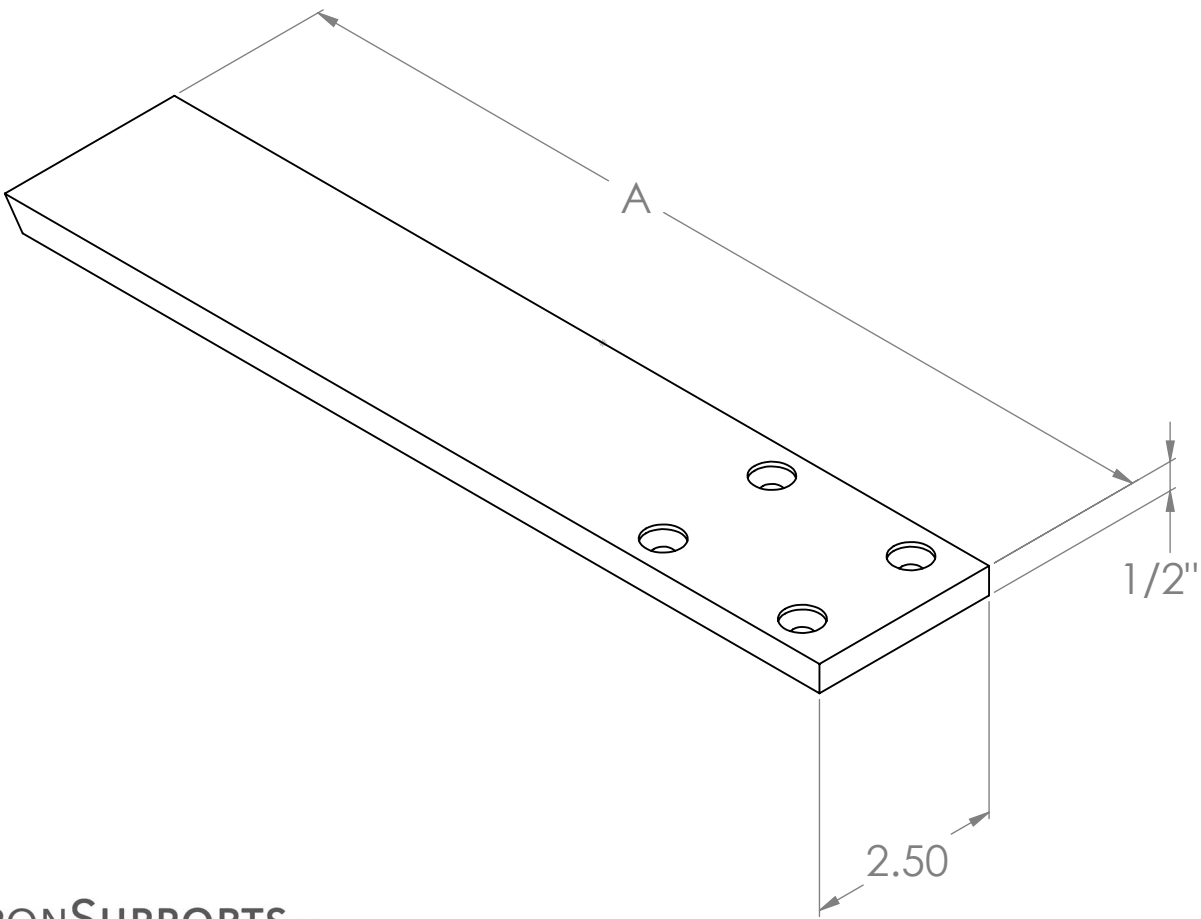
8
10
12
14
16
18



4 SCREWS
INCLUDED WITH
EACH BRACKET

B

B



IRON SUPPORTS.COM
HAND-CRAFTED AMERICAN MADE

A

A

	NAME	DATE
DRAWN	SJM	8/14/2010
MFG APPR.	ADA	9/10/2010
ENG APPR.	RRH	9/18/2010

IRON SUPPORTS

**FLAT HIDDEN
COUNTERTOP SUPPORT**

PROPRIETARY AND CONFIDENTIAL
THE INFORMATION CONTAINED IN
THIS DRAWING IS THE SOLE PROPERTY
OF IRON BSUPPORTS ANY
REPRODUCTION IN PART OR AS A
WHOLE WITHOUT THE WRITTEN
PERMISSION OF IRON BRACKET CO IS
PROHIBITED.

MATERIAL	STEEL
FINISH	BLK PWDR COAT
DO NOT SCALE DRAWING	

DIMENSIONS ARE IN INCHES
TOLERANCES: +/- 0.100
FRACTIONAL ± 0.030"
ANGULAR: MACH ± 1 BEND ± 1
TWO PLACE DECIMAL ± 0.030"
THREE PLACE DECIMAL ± 0.010"

SIZE	DWG. NO.	REV.
A	S1	A
SCALE: 1:2	WEIGHT: VARIES	SHEET 1 OF 1

2

1