

2

1

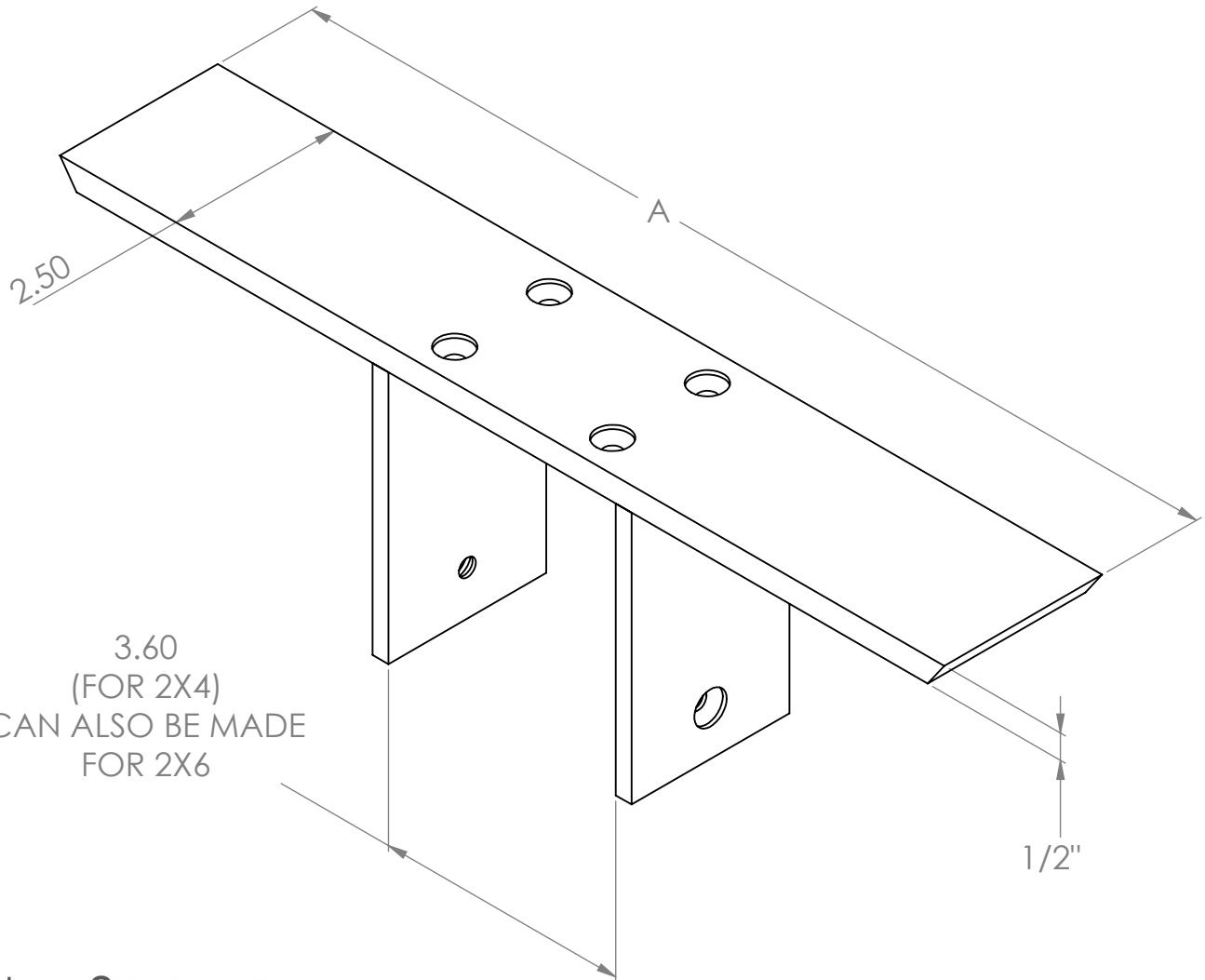
LENGTH "A"	
14	30
16	32
18	34
20	36
22	38
24	40
26	42
28	44

SCREWS INCLUDED



B

B



3.60  
(FOR 2X4)  
CAN ALSO BE MADE  
FOR 2X6

**IRON SUPPORTS**.COM  
HAND-CRAFTED AMERICAN MADE

A

A

	NAME	DATE
DRAWN	SJM	8/14/2010
MFG APPR.	ADA	9/10/2010
ENG APPR.	RRH	9/18/2010

**IRON SUPPORTS**

**KNEEWALL SADDLE  
BRACKET**

DIMENSIONS ARE IN INCHES  
TOLERANCES: +/- 0.100  
FRACTIONAL ± 0.030"  
ANGULAR: MACH ± 1 BEND ± 1  
TWO PLACE DECIMAL ± 0.030"  
THREE PLACE DECIMAL ± 0.010"

**PROPRIETARY AND CONFIDENTIAL**  
THE INFORMATION CONTAINED IN  
THIS DRAWING IS THE SOLE PROPERTY  
OF IRON SUPPORTS ANY  
REPRODUCTION IN PART OR AS A  
WHOLE WITHOUT THE WRITTEN  
PERMISSION OF IRON BRACKET CO IS  
PROHIBITED.

MATERIAL	STEEL
FINISH	BLK PWDR COAT
DO NOT SCALE DRAWING	

SIZE	DWG. NO.	REV.
<b>A</b>	S6	<b>A</b>
SCALE:1:5	WEIGHT: VARIES	SHEET 1 OF 1

2

1