

HIDDEN CENTER MOUNT COUNTERTOP BRACKET - KNEE WALL SUPPORT

Installation Instructions

IRON SUPPORTS.COM
HAND-CRAFTED  AMERICAN MADE

www.IronSupports.com
hello@ironsupports.com
(888) 971-3771
Sheboygan, WI. 53083



Safety Information

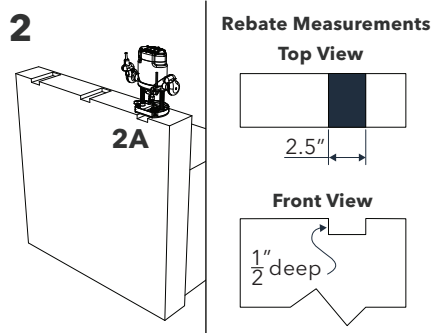
- Use the correct tools.
- Wear protective eye wear & proper safety equipment.
- When using tools or modifying anything follow manufactures instructions & user manuals.
- Always use common sense & follow good construction practices.
- Ask a professional when installing brackets for load bearing applications.
- Always mount brackets to a structure that is able to support the brackets and the weight that may be applied to it.
- Any use of this product in a way other than what it is intended for is not recommended.

Steps



1. Install one bracket directly under a supporting vertical stud in your knee or pony wall. Alternatively you can mount brackets to header style supports as well when vertical wall studs are not possible.

2. Create mounting channel for bracket using one of the following:
 - 2A. **POWER TOOLS:** Use a Top Bearing Flush Trim router with a 1/2" deep cutting length and trim the excess wood out of the mounting surface.
 - 2B. **MANUAL TOOLS:** Use a hand saw and cut along each line to a



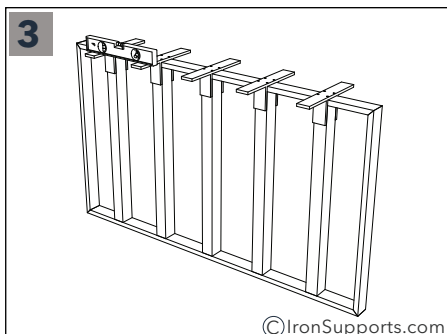
HIDDEN CENTER MOUNT COUNTERTOP BRACKET - KNEE WALL SUPPORT

Installation Instructions

IRONSUPPORTS.COM
HAND-CRAFTED  AMERICAN MADE

www.IronSupports.com
hello@ironsupports.com
(888) 971-3771
Sheboygan, WI. 53083

Steps



3. Use a level to ensure the brackets are level. If necessary, use shims to make the bracket level.



4. Once the bracket is fastened finish the wall with your desired finishing materials, wood, drywall, tile etc.



5. Prior to setting the top in place, run a bead of high-quality silicone adhesive down the center of each bracket.

PRO TIP: For a wood countertop application you have the option to secure that to the bracket with screws and skip the glue. For this you would have to drill holes in the bracket and secure your wood shelf, desk, counter etc. with screws using the holes you drilled.

Link to Hidden Center Mount Countertop Bracket product page:

<https://ironsupports.com/products/hidden-center-mount-countertop-bracket>