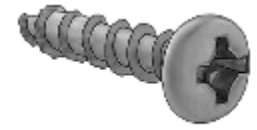


2

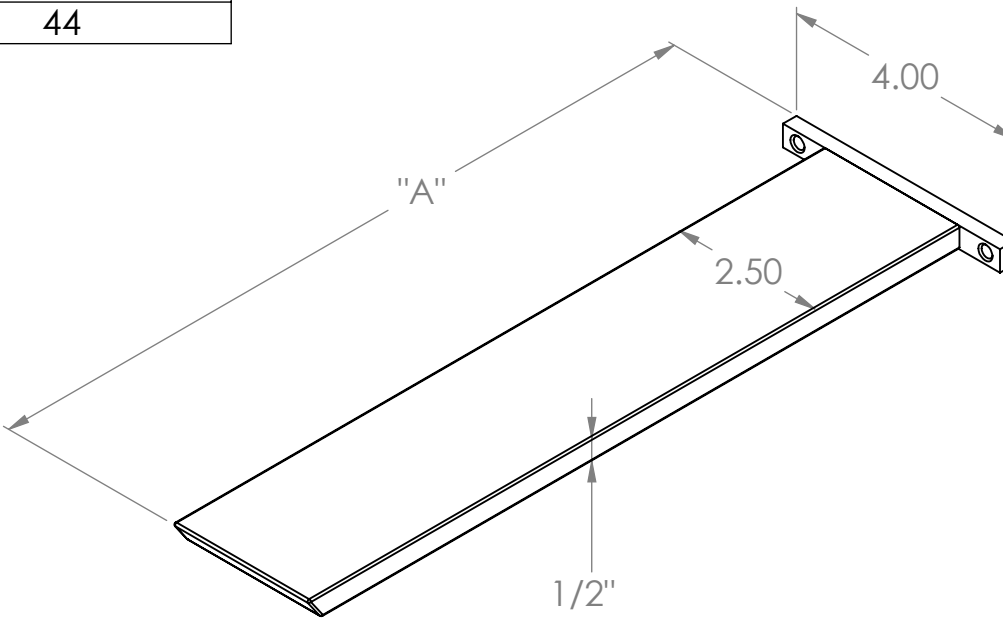
1

LENGTH "A"
(INCHES)

16
18
20
22
24
26
28
30
32
34
36
38
40
42
44



SCREWS INCLUDED



IRON SUPPORTS.COM
HAND-CRAFTED AMERICAN MADE

PROPRIETARY AND CONFIDENTIAL
THE INFORMATION CONTAINED IN THIS DRAWING IS THE SOLE PROPERTY OF IRON SUPPORTS ANY REPRODUCTION IN PART OR AS A WHOLE WITHOUT THE WRITTEN PERMISSION OF IRON BRACKET CO IS PROHIBITED.

MATERIAL: STEEL
FINISH: BLK PWDR COAT
DO NOT SCALE DRAWING

	NAME	DATE
DRAWN	SJM	8/14/2010
MFG APPR.	ADA	9/10/2010
ENG APPR.	RRH	9/18/2010

DIMENSIONS ARE IN INCHES
TOLERANCES: +/- 0.100
FRACTIONAL ± 0.030"
ANGULAR: MACH ± 1 BEND ± 1
TWO PLACE DECIMAL ± 0.030"
THREE PLACE DECIMAL ± 0.010"

IRON SUPPORTS

**TEE HIDDEN
COUNTERTOP SUPPORT**

SIZE A	DWG. NO. S3	REV. A
SCALE: 1:5	WEIGHT: VARIES	SHEET 1 OF 1

B

B

A

A

2

1