

# FLOATING COUNTERTOP WALL BRACKET

## Installation Instructions

IRON SUPPORTS .COM  
HAND-CRAFTED  AMERICAN MADE

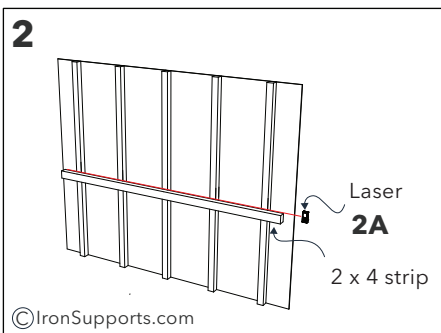
www.IronSupports.com  
hello@ironsupports.com  
(888) 971-3771  
Sheboygan, WI. 53083



### Safety Information

- Use the correct tools.
- Wear protective eye wear & proper safety equipment.
- When using tools or modifying anything follow manufactures instructions & user manuals.
- Always use common sense & follow good construction practices.
- Ask a professional when installing brackets for load bearing applications.
- Always mount brackets to a structure that is able to support the brackets and the weight that may be applied to it.
- Any use of this product in a way other than what it is intended for is not recommended.

### Steps: Installing on Wood Studs



**1.** Select, Measure and mark the appropriate mounting locations on your wall.

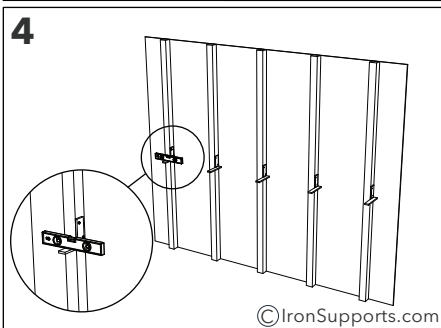
**2.** If needed, remove Sheet Rock or other wall substrate in the area where the bracket will be mounted to expose the studs.

**2A. PRO TIP:** Use a chalk line or laser level to mark a straight line. Then attach a 2x4 along the line giving you a template and "shelf" to use while mounting the brackets, keeping them perfectly level with each other.



**3.** Securely mount the bracket to the side of the stud.

**4.** Use a level to ensure the brackets are level with the knee wall. If necessary, use shims to make the bracket level.



# FLOATING COUNTERTOP WALL BRACKET

## Installation Instructions

**IRON SUPPORTS**.COM  
HAND-CRAFTED  AMERICAN MADE

www.IronSupports.com  
hello@ironsupports.com  
(888) 971-3771  
Sheboygan, WI. 53083

### Steps: Installing on Wood Studs



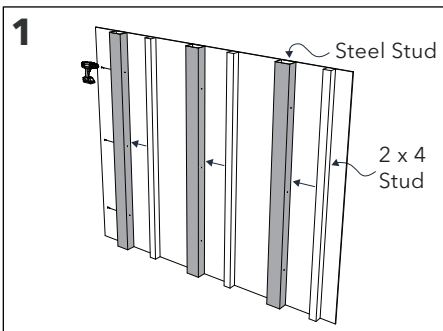
5. Once the brackets have been fastened, hang Sheet Rock or whatever wall material you chose and finish off as you normally would.

6. Prior to setting the top in place, run a bead of high-quality silicone adhesive down the center of each bracket.

PRO TIP: For a wood countertop application you have the option to secure that to the bracket with screws and skip the glue. For this you would have to drill holes in the bracket and secure your wood shelf, desk, counter etc. with screws using the holes you drilled

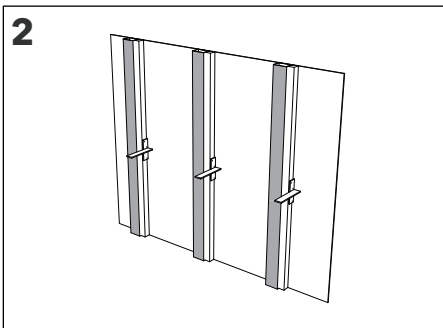


### Steps: Installing on Steel Studs



1. In order to mount these brackets your steel studs must be reinforced with a wood stud from top to bottom. Fasten a 2x4 or 2x6 to the side of your steel stud using screws. Secure the wood stud to the top and bottom of the steel channel.

2. Repeat Steps 1-6 from the section 'Installing on Wood Studs'.



#### Disclaimer

Iron Counter Support Brackets can carry significant loads but they must be securely fastened to the mounting surface with continuous blocking, or double-stud construction. When mounting into wood studs "toeing" into the stud will ensure that all screws are fully engaged. If toeing is not an option align the bracket so that 1 top and 1 bottom screw are fully engaged. When installing into metal studs you must block the steel studs using wood studs by either piggy backing or sliding a wood stud into the C channel metal stud.

Weight capacity is based on evenly distributed static loads.

Bracket spacing is based on the weight being applied and the countertop material being used. Different countertop material can carry different spans. Consult your countertop supplier if you have any questions or keep your spacing at no more than 24" on center be safe with any application.