

2

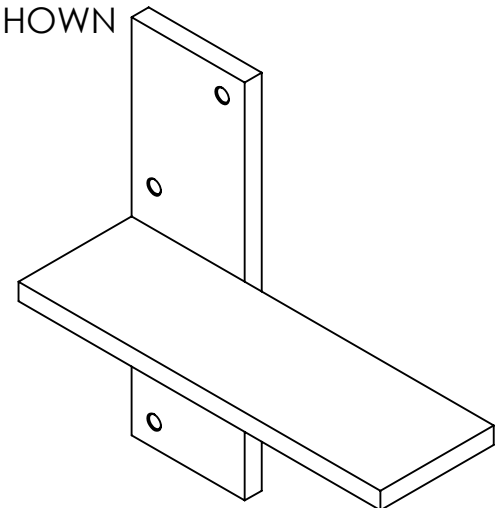
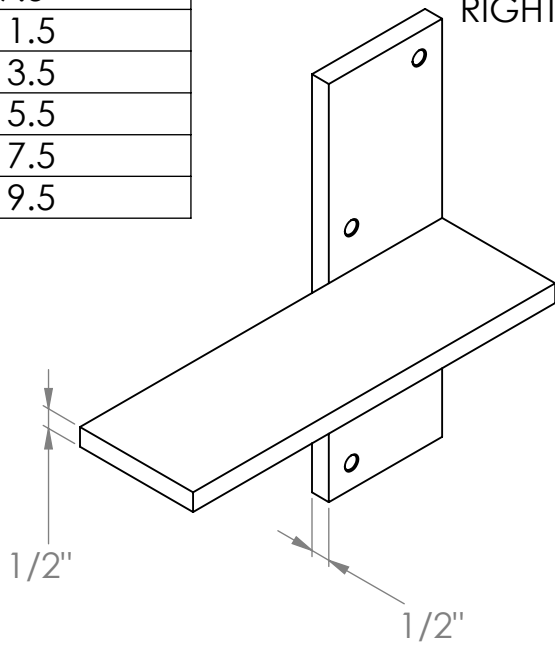
1

LENGTH "A"
5.5
7.5
9.5
11.5
13.5
15.5
17.5
19.5

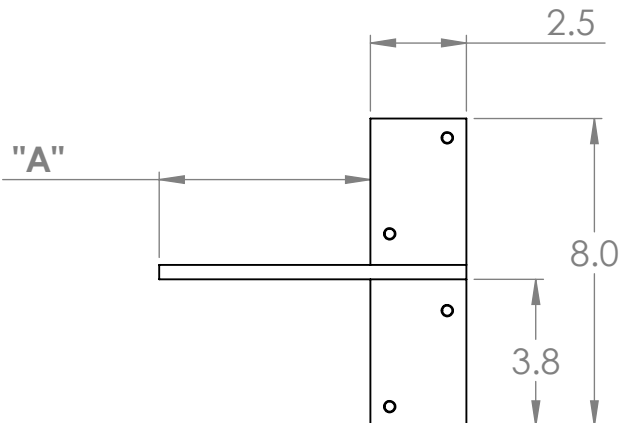
BRACKET CAN BE MOUNTED ON LEFT HAND SIDE OR RIGHT HAND AS SHOWN

B

B



LAG BOLTS INCLUDED



A

A

IRON SUPPORTS.COM
HAND-CRAFTED AMERICAN MADE

PROPRIETARY AND CONFIDENTIAL
THE INFORMATION CONTAINED IN THIS DRAWING IS THE SOLE PROPERTY OF IRON SUPPORTS. ANY REPRODUCTION IN PART OR AS A WHOLE WITHOUT THE WRITTEN PERMISSION OF IRON BRACKET CO IS PROHIBITED.

MATERIAL	STEEL
FINISH	BLK PWDR COAT
DO NOT SCALE DRAWING	

	NAME	DATE
DRAWN	SJM	8/14/2010
MFG APPR.	ADA	9/10/2010
ENG APPR.	RRH	9/18/2010

DIMENSIONS ARE IN INCHES
TOLERANCES: +/- 0.100
FRACTIONAL ± 0.030"
ANGULAR: MACH ± 1 BEND ± 1
TWO PLACE DECIMAL ± 0.030"
THREE PLACE DECIMAL ± 0.010"

IRON SUPPORTS			
FLAT HIDDEN COUNTERTOP SUPPORT			
SIZE	DWG. NO.	REV.	
A	S1	A	
SCALE: 1:5	WEIGHT: VARIES	SHEET 1 OF 1	

2

1