



RECOIL PAD TEMPLATE GUIDE

WHY USE TEMPLATES?

Many manufacturers modify their stock dimensions yearly, making it difficult for us to keep one specific model available for one specific manufacturer. In response, we have provided these templates to help you match your gun stock butt.

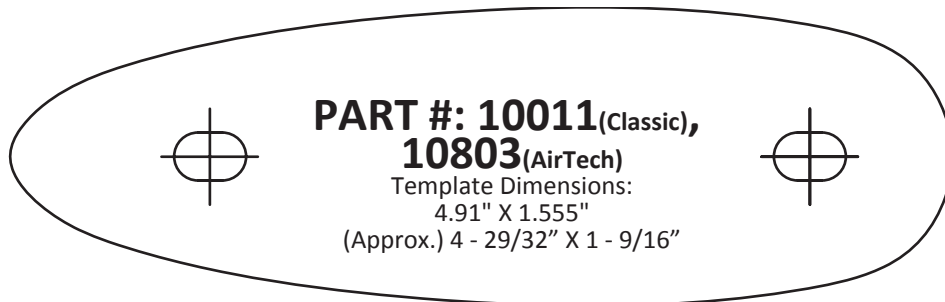
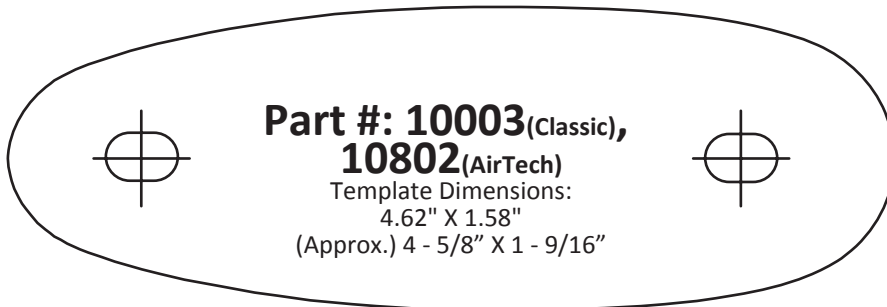
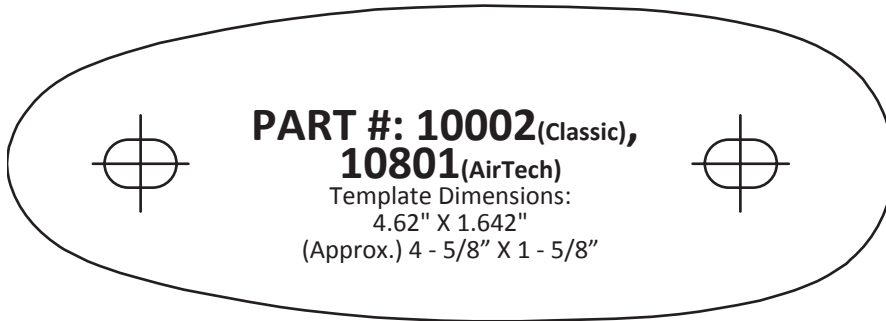
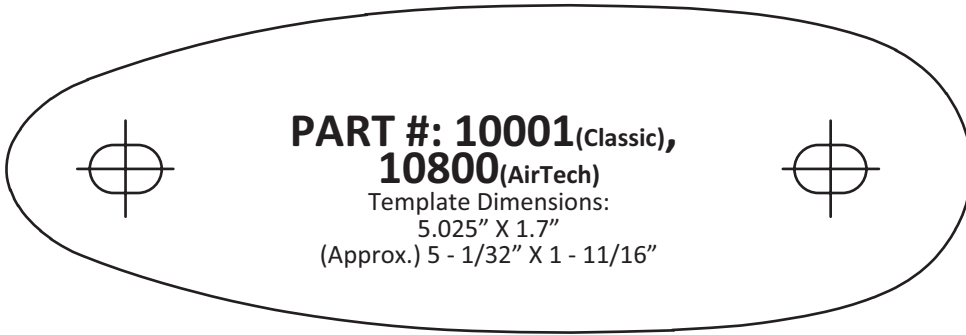
OTHER OPTIONS

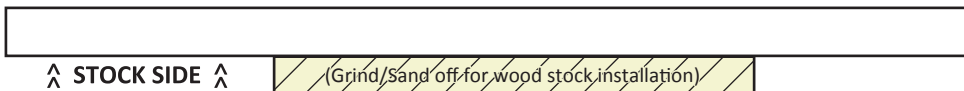
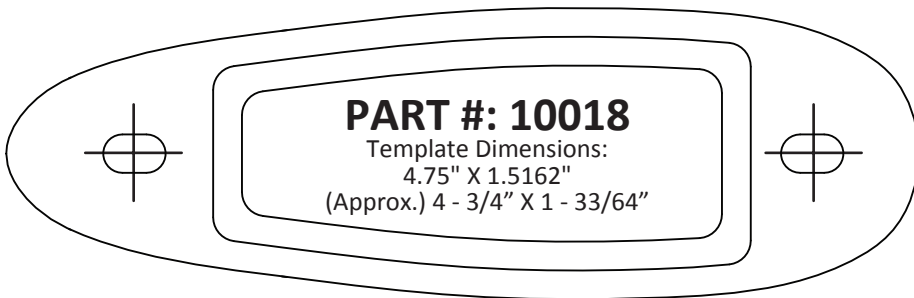
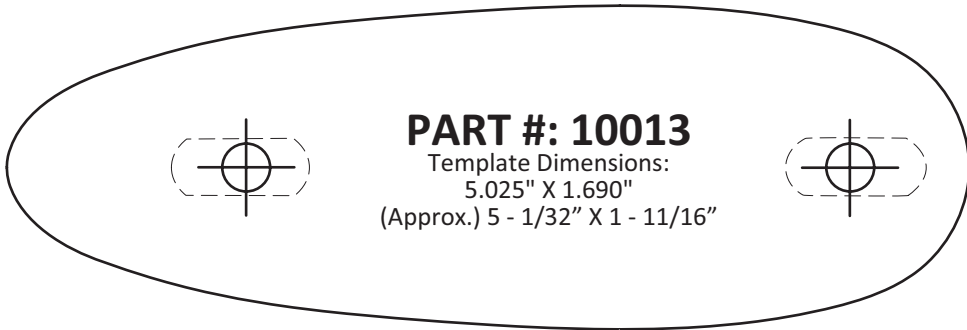
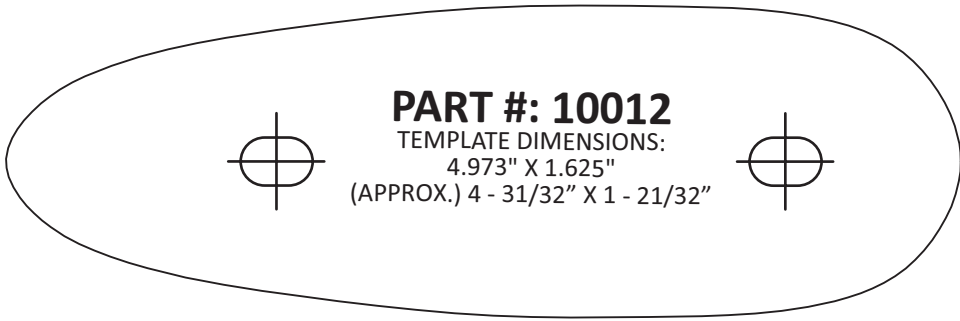
If you have a stock that does not match one of our templates, you can utilize our Slip-On pad which delivers the same felt recoil reduction as our Precision-Fit pad. (Removal of existing pad is recommended, but not required.) You may also utilize our Grind-to-Fit recoil pad, but this may require a visit to your local gunsmith.

TEMPLATE INSTRUCTIONS

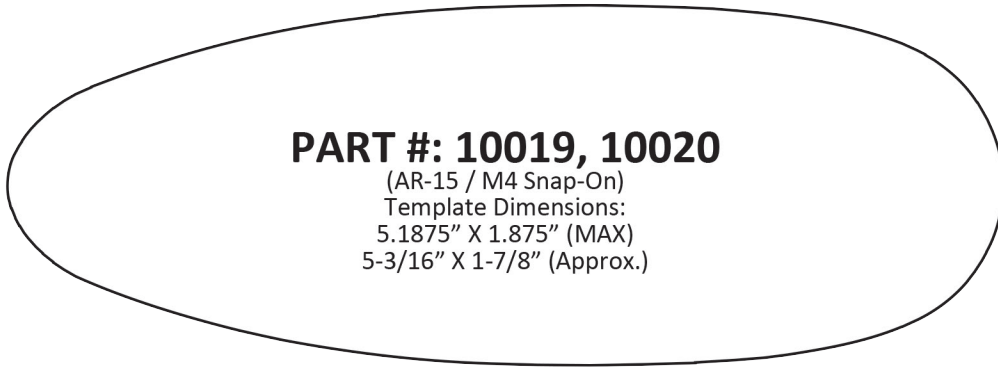
***NOTE: When printing, make sure that the "PRINT ACTUAL SIZE" or "CONSTRAIN PROPORTIONS" box is checked or that the "FIT TO PAGE" box is unchecked (found in Print Settings). These templates will not work if they are not printed 100% to size.**

- I. Remove the existing recoil pad or plate from your stock butt by unscrewing. If your recoil pad is glued on, it may require gunsmithing.
- II. Place the gun stock on top of each template until you have found a match. Cut template out to determine screw hole location. If the screw holes do not line up, you can slot or elongate the screw holes on the bottom of our plate an additional 3/16" or more towards the heel or the toe and 1/16" towards the center of the pad (use a Dremel® tool with sanding attachment) to match the holes in your stock. This is regardless of wood or synthetic stocks. Please note: This only refers to the template recoil pads that are not already elongated or slotted.
- III. Once a match is found, the product number will be on that specific template so you will know which one to order.



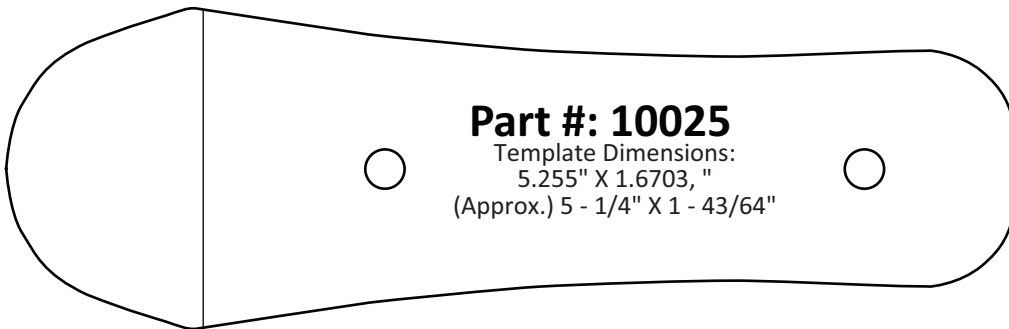


TACTICAL

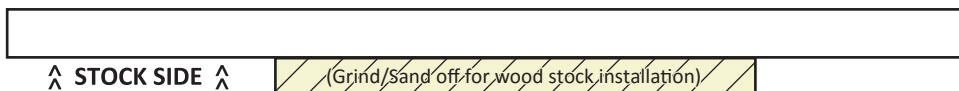
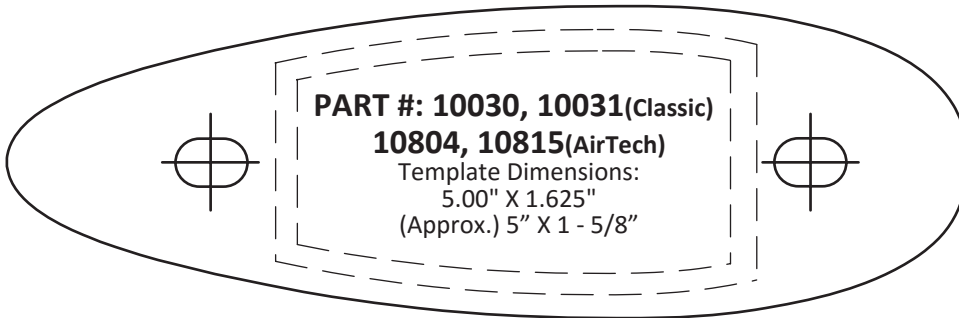


AR-15 Universal 6-Position Tactical (1/4" step-down)
 Tapco T6, Colt LE6920, LE6940
SNAP-ON ONLY - No screw holes

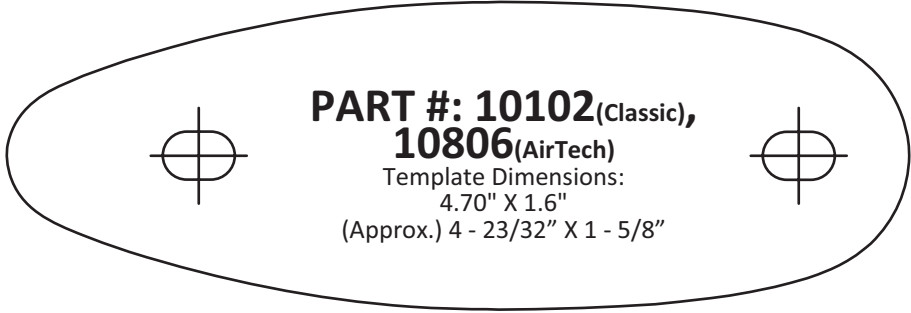
TACTICAL



Magpul STR, ACS, ACS-L, UBR, Mil Spec, CTR, MOE (MAG 310 & MAG 400)

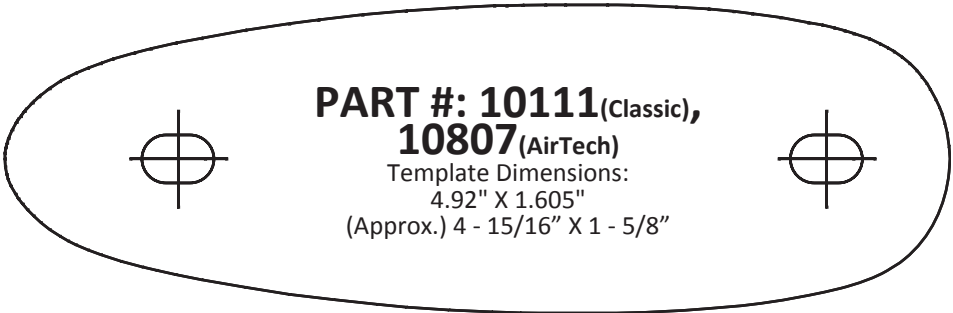


10031/10815: for wood stocks only
 10031/10804: for synthetic stocks only



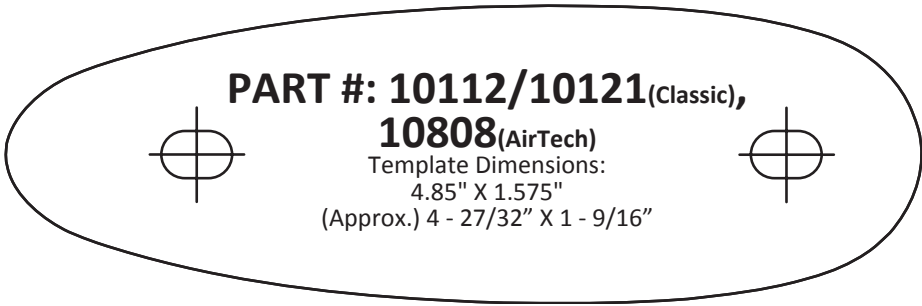
PART #: 10102(Classic),
10806(AirTech)

Template Dimensions:
4.70" X 1.6"
(Approx.) 4 - 23/32" X 1 - 5/8"



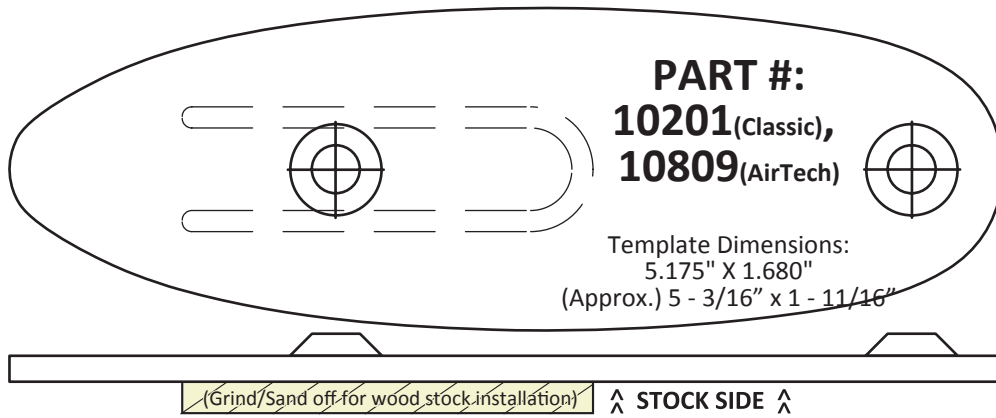
PART #: 10111(Classic),
10807(AirTech)

Template Dimensions:
4.92" X 1.605"
(Approx.) 4 - 15/16" X 1 - 5/8"

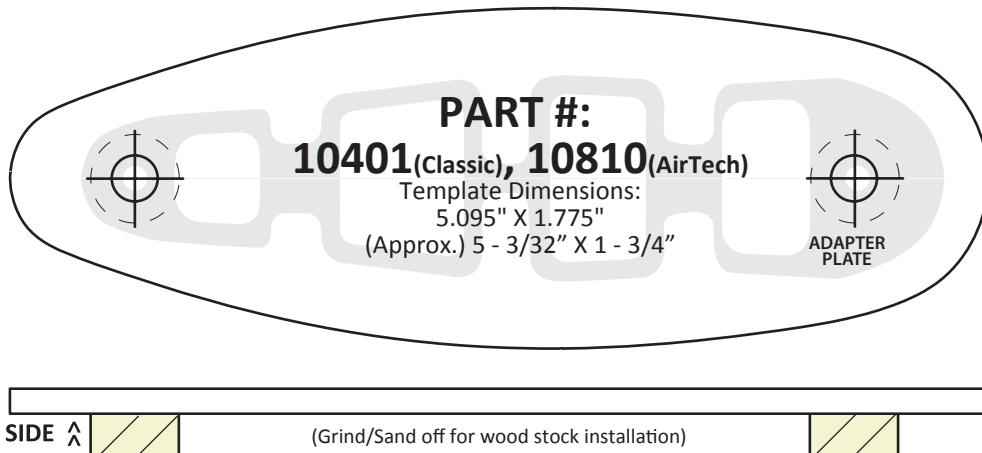
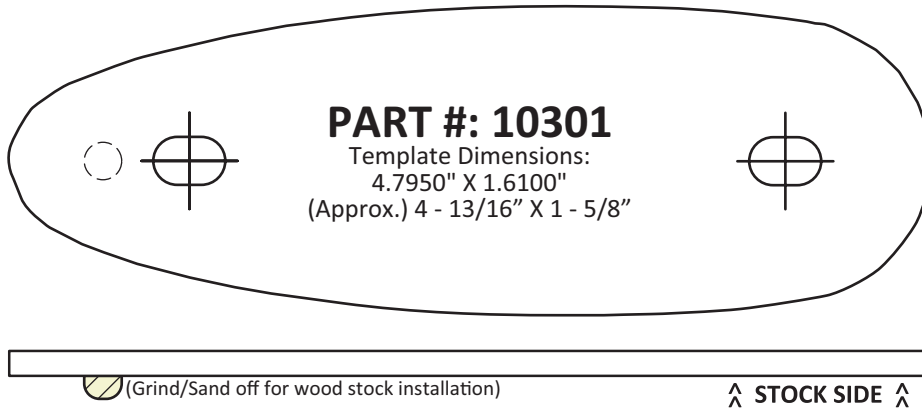


PART #: 10112/10121(Classic),
10808(AirTech)

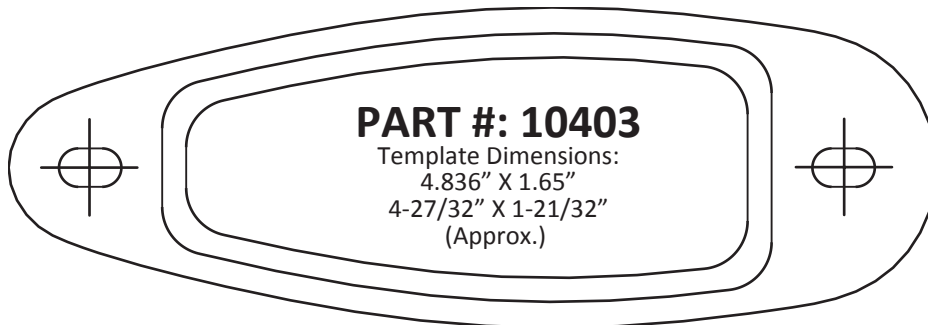
Template Dimensions:
4.85" X 1.575"
(Approx.) 4 - 27/32" X 1 - 9/16"



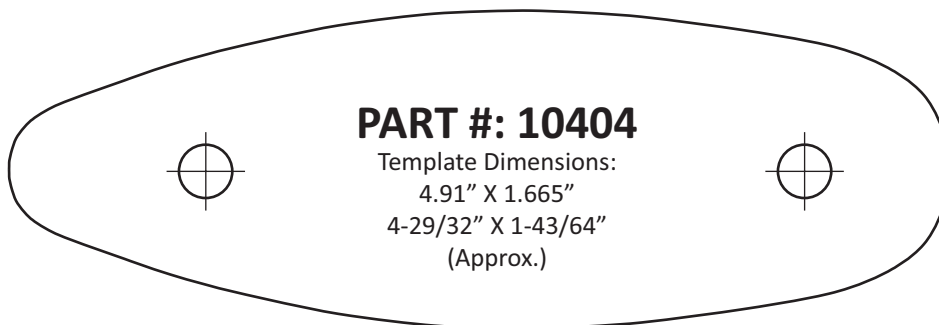
INCLUDES ADAPTER PIECE.



INCLUDES ADAPTER PIECE.

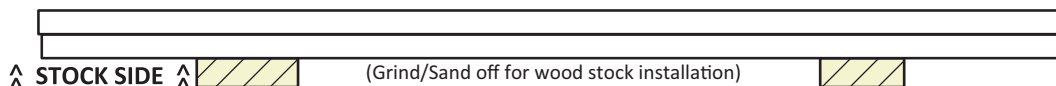
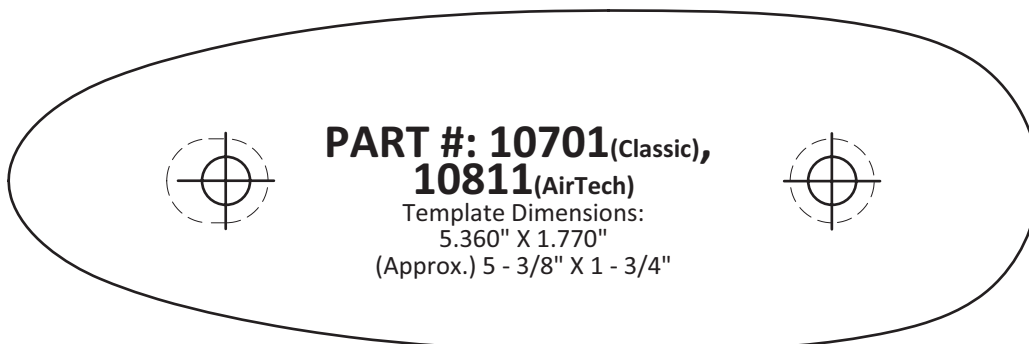
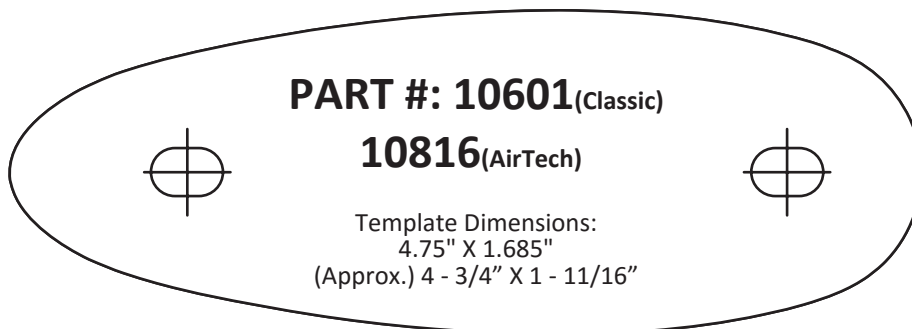


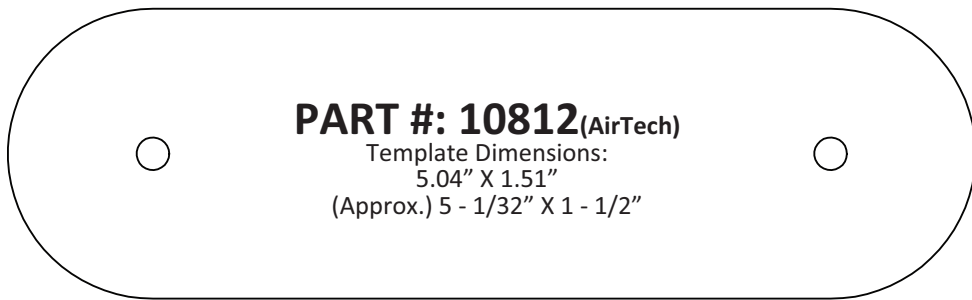
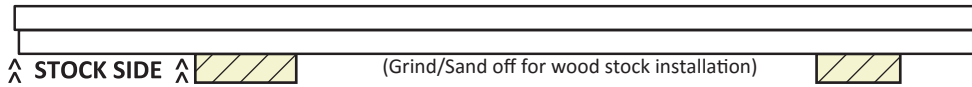
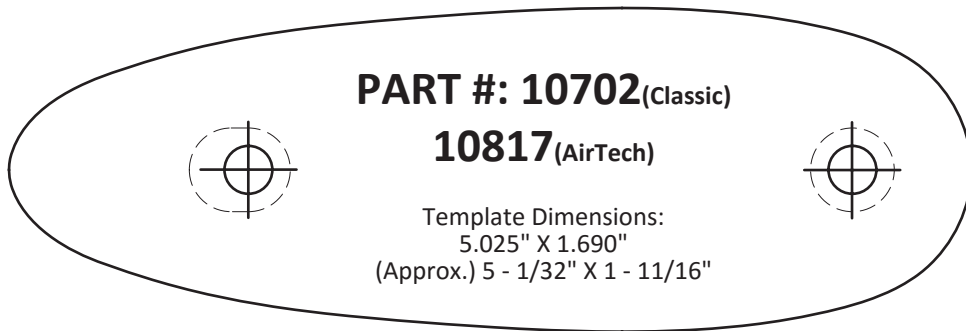
Benelli M1 Tactical, SBE II Std. Grip
(Bolt-On)



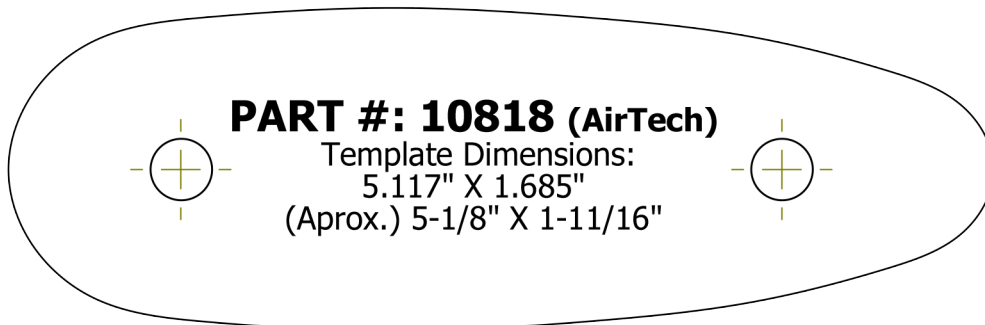
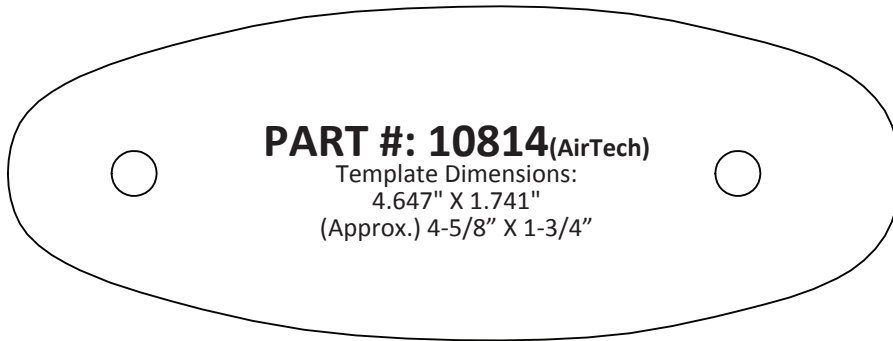
Benelli M2 Tactical, Supernova Tactical, SBE II Std. Grip
(Snap On)

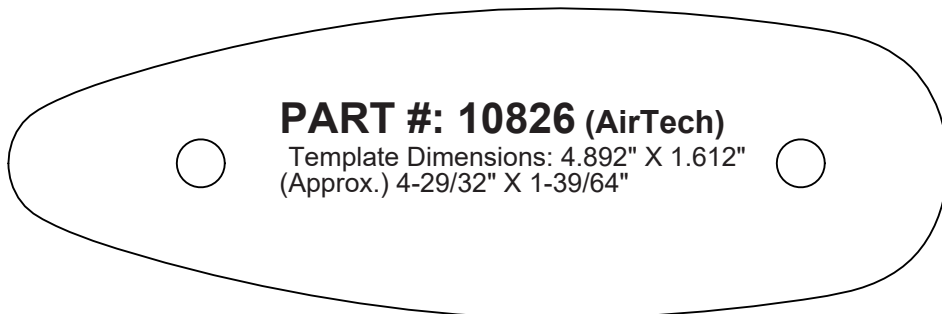
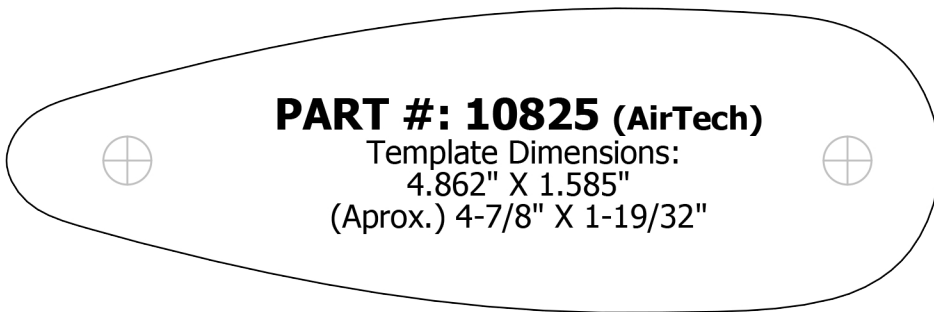
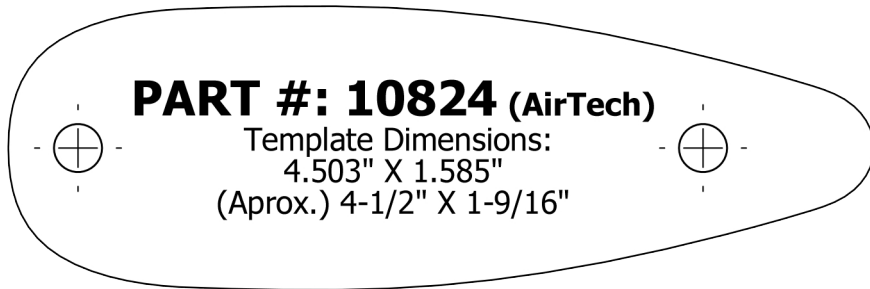
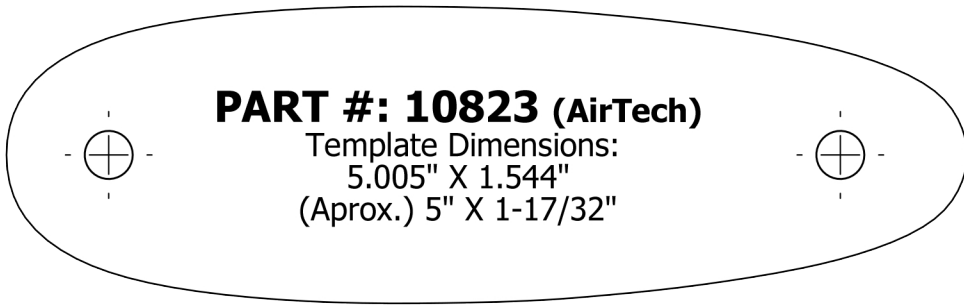
INCLUDES ADAPTER PIECE.



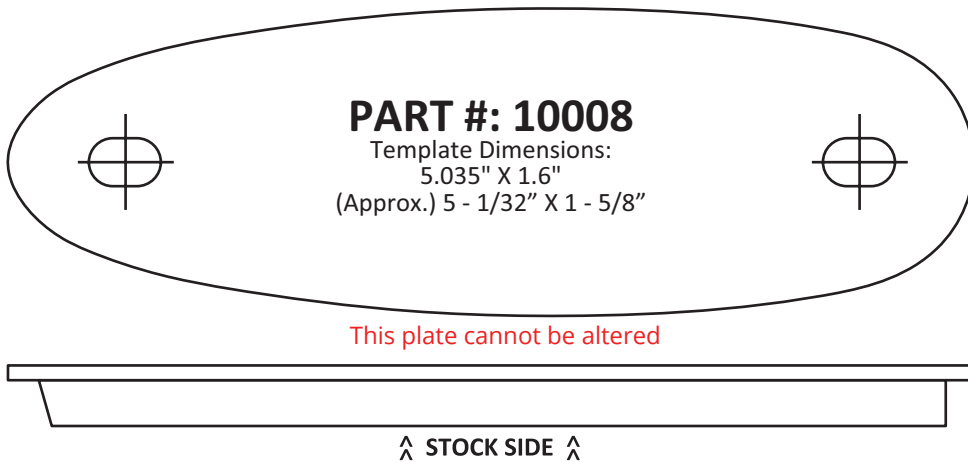


Choate

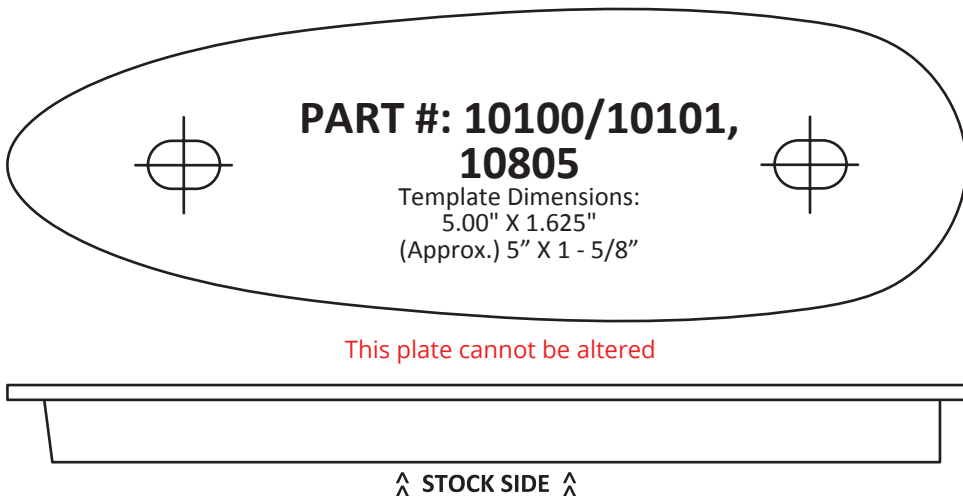




The following two templates on this page were designed to fit a specific make of synthetic stock. To accomplish as accurate a fit as possible, many of the synthetic recoil pad plates have profiles that snap inside the cavities of the stock. While most plates can be modified to fit a wood stock by grinding off any protruding plastic on the plate, the following two plates CANNOT be altered.



Browning Gold 12/20; Stoeneger M2000 (non-pistol grip & P-350 pump (syn.), Silver 12 GA. (Syn.)

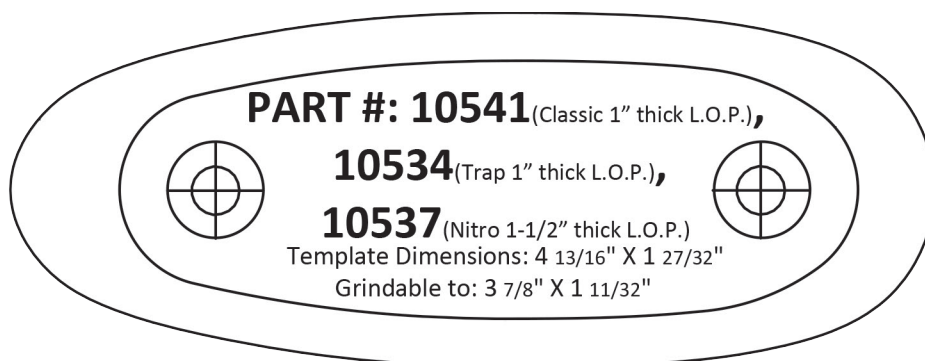


Remington 700 ADL/BDL, ML, 710, 770, 7600, 870, (12, 16), 1100 (12, 16), 11-87 (syn.), SP-10; Marlin XS7 (syn.)

LIMBSAVER GRIND-TO-FIT RECOIL PAD TEMPLATES

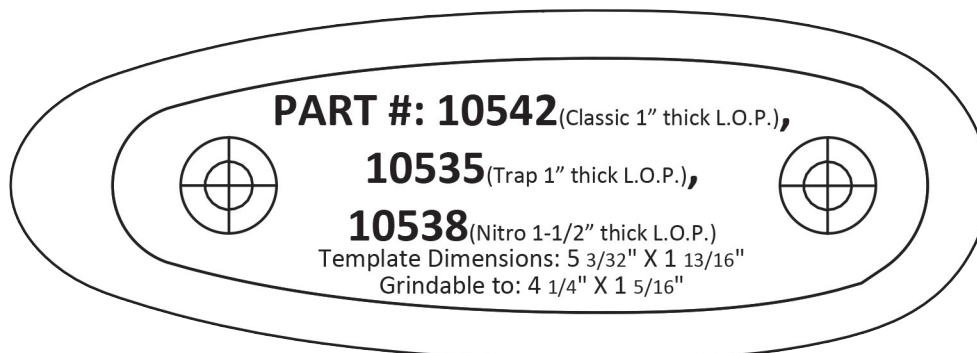
The following Grind-to-Fit Recoil Pads are shown with two profile lines. The outer line is the actual size of the pad. The inner line is the "Max" Grind line. In order for our technology to function properly, the interior air chamber must remain intact with enough wall thickness to contain the pressure during the firing of the weapon. By not grinding past this line, you ensure your pad will be in perfect working order. To determine which Grind-to-Fit Recoil Pad is right for you, remove your existing pad, and place your flat stock on the templates. Choose the pad that shows the full outer line of the template, and none of the interior line. For further instructions, see inside of our packaging, or go to www.LimbSaver.com.

SMALL GRIND-TO-FIT

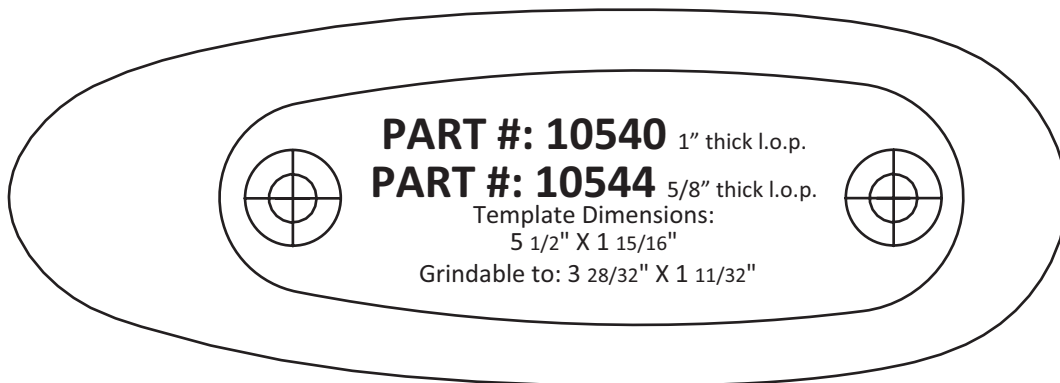


10541 is a Classic LimbSaver pad with 1" LOP
10534 is a Trap LimbSaver pad with 1" LOP
10537 is a Nitro LimbSaver pad with 1-1/2" LOP

MEDIUM GRIND-TO-FIT

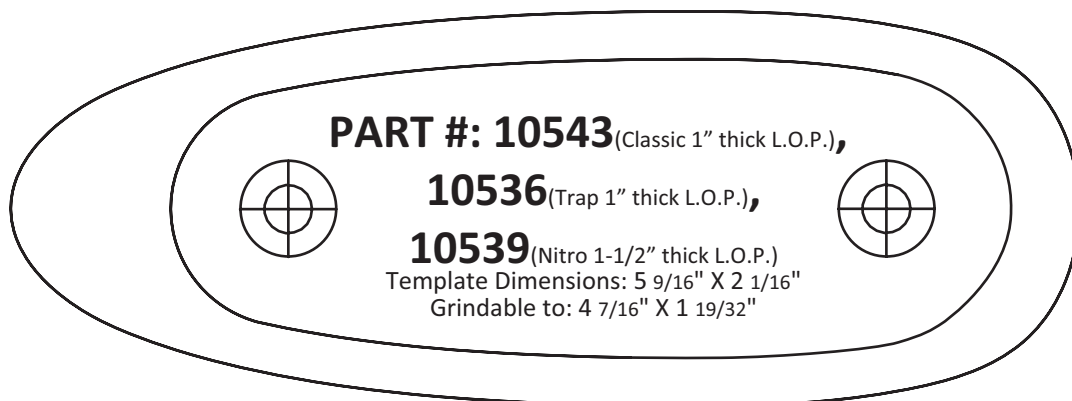


10542 is a Classic LimbSaver pad with 1" LOP
10535 is a Trap LimbSaver pad with 1" LOP
10538 is a Nitro LimbSaver pad with 1-1/2" LOP



10540 is a Speed Mount LimbSaver pad with 1" LOP
 10544 is a Classic LimbSaver pad with 5/8" LOP

LARGE GRIND-TO-FIT



10543 is a Classic LimbSaver pad with 1" LOP
 10536 is a Trap LimbSaver pad with 1" LOP
 10539 is a Nitro LimbSaver pad with 1-1/2" LOP

RECOIL PAD REFERENCE GUIDE

GRIND-TO-FIT AND SLIP-ON SIZING

SIZE	MEASUREMENTS	MODEL
CLASSIC GRIND-TO-FIT: (Flat butt stocks only. Approx. 1" thick unless otherwise noted.)		
S	4 13/16" X 1 27/32" Grindable To: 3 7/8" X 1 11/32"	10541
M	5 1/2" X 1 31/32" Grindable To: 3 29/32" X 1 11/32"	10540
M	5 3/32" X 1 13/16" Grindable To: 4 1/4" X 1 5/16"	10542
L	5 9/16" X 2 1/16" Grindable To: 4 7/16" X 1 19/32"	10543
L	5 1/2" X 1 31/32" Grindable To: 3 29/32" X 1 11/32" (5/8" Thick)	10544
NITRO GRIND-TO-FIT: (Flat butt stocks only. 1 1/2" thick) For Safari Grade Calibers or adding L.O.P		
S	4 13/16" X 1 27/32" Grindable To: 3 7/8" X 1 11/32"	10537
M	5 3/32" X 1 13/16" Grindable To: 4 1/4" X 1 5/16"	10538
L	5 9/16" X 2 1/16" Grindable To: 4 7/16" X 1 19/32"	10539
TRAP/SKEET GRIND-TO-FIT: (Flat butt stocks only. 1" thick) New Form Fitting Design		
S	4 13/16" X 1 27/32" Grindable To: 3 7/8" X 1 11/32"	10534
M	5 3/32" X 1 13/16" Grindable To: 4 1/4" X 1 5/16"	10535
L	5 9/16" X 2 1/16" Grindable To: 4 7/16" X 1 19/32"	10536
SIZE	MEASUREMENTS	MODEL
CLASSIC SLIP-ON RECOIL PAD: (Universal-. Approx. 1" thick unless otherwise noted.)		
S	4 1/2" X 1 1/2" Up to 4 13/16" X 1 5/8"	10546
S/M	4 5/8" X 1 9/16" Up to 5 1/8" X 1 3/4" (1/2" thick LOP)	10545
M	4 13/16" X 1 5/8" Up to 5 1/8" X 1 3/4"	10547
L	5 1/8" X 1 3/4" Up to 5 3/8" X 1 7/8"	10548
NEW AIR-TECH SLIP-ON RECOIL PAD: (Universal-. Approx. 1" thick unless otherwise noted.)		
S	4 1/2" X 1 1/2" Up to 4 13/16" X 1 5/8"	10550
S/M	4 5/8" X 1 9/16" Up to 5 1/8" X 1 3/4" (1/2" thick LOP)	10549
M	4 13/16" X 1 5/8" Up to 5 1/8" X 1 3/4"	10551
L	5 1/8" X 1 3/4" Up to 5 3/8" X 1 7/8"	10552



Suggested Fitting Chart

Precision-Fit Recoil Pads

SYNTHETIC STOCKS & WOOD STOCK MODELS

IMPORTANT

*** Due to manufacturer stock deviations the LimbSaver PRECISION FIT RECOIL PADS ARE NOT A GUARANTEED FIT. (Check Templates to be sure - www.limbsaver.com or master catalog)**

Precision fit and grind-to-fit recoil pads are intended for flat butt stocks only.

*** PRECISION-FIT PADS ARE NOT INTENDED TO BE GROUND**

If you do not find your specific model please refer to our templates, or contact one of our technical firearm associates: (360) 427-6031

We also have the Grind-To-Fit pads as well as Slip-On pads to fit your needs.

SYNTHETIC STOCKS

Precision fit recoil pads are intended for flat butt stocks only.

ALL PADS UNLESS SPECIFIED ARE APPROX. 1" IN THICKNESS

MANUFACTURER	MODEL	STOCK	AIR-TECH	CLASSIC
Benelli	Sport I	Synthetic	10810	10401
Benelli	Sport II	Synthetic	10810	10401
Benelli	Nova	Synthetic	10810	10401
Benelli	SBE I	Synthetic	10810	10401
Benelli	SBE II	Synthetic	10810	10401
Benelli	Super Sport	Synthetic	10810	10401
Benelli	MII	Synthetic	10810	10401
Benelli	Cordoba 12/20ga	Synthetic	10810	10401
Benelli-Tactical	Pistol Grip Stock SBE MII (12ga) Pop-in pad	Synthetic		10404
Benelli-Tactical	Pistol Grip Stock Nova	Synthetic		10404
Benelli-Tactical	Pistol Grip Stock Super Sport Pop-in pad	Synthetic		10404
Benelli-Tactical	Pistol Grip Stock MII 12ga Pop-in pad	Synthetic		10404
Benelli-Tactical	Pistol Grip Stock Super Sport Bolt-On	Synthetic		10403
Benelli-Tactical	Pistol Grip Stock M1 Bolt-On	Synthetic		10403
Benelli-Tactical	Pistol Grip Stock SBE Bolt-On	Synthetic		10403
Benelli	M2 21VR W/ Comfort-Tech Stock	Synthetic	10810	10401
Benelli	Super Vinci W/ Comfort-Tech Stock	Synthetic	10810	10401
Benelli	M1/M4 with NOVESKE ADAPTER	Synthetic	10807	10111
Beretta	A300 Outlander	Synthetic	10817	10702
Beretta	A400 Extreme	Synthetic	10817	10702
Beretta	Extrema2 with Kick Off stock-12ga- TX4 Storm	Synthetic	10817	10702
Beretta	Sporting/Competition e.g. DT11-692	Synthetic	10811	10701
Blackhawk	SpecOps Gen II	Synthetic	10811	10701
Blackhawk	Axiom Ultra Light	Synthetic	10811	10701
Blackhawk	Axiom Thumb Hole	Synthetic	10811	10701
Blaser	R8	Synthetic		10818
Blaser	R93 Professional Camo Bolt on Only	Synthetic		10012
Blaser	R93 Dark Green Bolt on only	Synthetic		10012
Blaser	R93 Professional Black Bolt on only	Synthetic		10012
Browning	Gold 12 * 20ga only.	Synthetic		10008
Browning	Silver Hunter 12ga	Synthetic		10008
Browning	Silver 12/20 GA	Synthetic		10008
Browning	A-Bolt Stainless Stalker	Synthetic	10801	10002
Browning	BPS 10ga.	Synthetic		10301
Browning	X-Bolt Rifles	Synthetic	10814	
Browning	AB3 (A-Bolt 3) Rifles	Synthetic	10814	
Choate	ALL stocks that use the mark5 Spacer System	Synthetic	10812	
Christensen Arms	Carbon Summit Rifle	Synthetic	10805	10101
Christensen Arms	Carbon Classic Rifle	Synthetic	10805	10101
Colt	Colt LE6920 Series	Synthetic		10019
Colt	Colt LE6920 Law Enforcement 30+1 223REM/5.56NATO	Synthetic		10019
Colt	Colt LE6940 Series	Synthetic		10019
DPMS	GII AP4	Synthetic		10019
Franchi	Verimax 912 12ga	Synthetic	10810	10401
Knight	50cal. Disc Inline ML	Synthetic	10801	10002
MagPul	ACS Mag 370/371CTR Mag 310/311	Synthetic		10025
MagPul	ACS-L Mag 378/379	Synthetic		10025
MagPul	CTR Mag 310/311	Synthetic		10025
MagPul	MOE Mag 400/401	Synthetic		10025
MagPul	STR Mag 470/471	Synthetic		10025
MagPul	UBR Collapsible Stock Mag 330- Mil-Spec	Synthetic		10025
MagPul	Stocks with the SGA with Adapter	Synthetic	10805	10101
Marlin	Model XS7	Synthetic	10805	10101
Mossberg	500A, 535, 695, 835, 590A1, 590SP 12ga	Synthetic	10809	10201
Mossberg	930 (NON SPX)	Synthetic	10809	10201

Mossberg	935 NON-Pistol Grip	Synthetic	10809	10201
Mossberg	Maverick 88 12ga	Synthetic	10809	10201
Mossberg	Maverick 88 20ga	Synthetic	10807	10111
Mossberg	ATI pistol grip non-tactical	Synthetic	10802	10003
Mossberg	MOE 590A1 with SGA Adapter	Synthetic	10805	10101
Mossberg	International™ 715T™	Synthetic		10019
Mossberg	500 - ATI Tactical	Synthetic		10019
Remington	700 SPS	Synthetic	10805	10101
Remington	700 ADL	Synthetic	10805	10101
Remington	700 BDL	Synthetic	10805	10101
Remington	700 LVSF	Synthetic	10816	10601
Remington	700 ML	Synthetic	10805	10101
Remington	710	Synthetic	10805	10101
Remington	770	Synthetic	10805	10101
Remington	870	Synthetic	10805	10101
Remington	870	Synthetic	10805	10101
Remington	870 Express	Synthetic	10805	10101
Remington	870 Express Tactical	Synthetic	10805	10101
Remington	1100 Competition	Synthetic	10805	10101
Remington	1100 Tactical 12/22 OD-Green	Synthetic	10805	10101
Remington	11-87	Synthetic	10805	10101
Remington	7600	Synthetic	10805	10101
Remington	SP-10	Synthetic	10805	10101
Remington	VTR Centerfire	Synthetic	10805	10101
Remington	870 Magnum Special Purpose	Synthetic	10806	10102
Remington	Titanium	Synthetic	10816	10601
Ruger	American	Synthetic	10825	
Ruger	American Magnum	Synthetic	10825	
Ruger	American Predator	Synthetic	10825	
Ruger	American LH	Synthetic	10825	
Ruger	American All Weather	Synthetic	10825	
Ruger	American Crossfire	Synthetic	10825	
Ruger	American Ranch	Synthetic	10825	
Ruger	American Compact	Synthetic	10824	
Ruger	American All Weather Compact	Synthetic	10824	
Ruger	M77	Synthetic	10800	10001
Ruger	Hawkeye	Synthetic	10800	10001
Ruger	77, Mark II, Factory Skeleton Stock-(Request Adapter from LimbSaver)	Synthetic	10803	10011
Sako	75	Synthetic	10803	10011
Sako	Finnlight	Synthetic	10803	10011
Savage	93 R-AC-TR	Synthetic		10301
Savage	A17	Synthetic	10808	10112
Smith & Wesson	M&P®15T Tactical with M-LOK®	Synthetic		10019
Smith & Wesson	M&P®15 1 in 7" Twist	Synthetic		10019
Smith & Wesson	M&P 15 Sport II 5.56 NATO 16" 30+1	Synthetic		10019
Stag Arms	AR-15 Model 1	Synthetic		10019
Stag Arms	AR-15 Model 1L	Synthetic		10019
Stag Arms	AR-15 Model 2	Synthetic		10019
Stag Arms	AR-15 Model 2L	Synthetic		10019
Stag Arms	AR-15 Model 2T	Synthetic		10019
Stag Arms	AR-15 Model 2TL	Synthetic		10019
Stag Arms	AR-15 Model 3	Synthetic		10019
Stoeger	M3000 and 3500	Synthetic	10823	
Stoeger	M2000 (No Pistol Grip)	Synthetic		10008
Stoeger	P-350 Pump	Synthetic		10008
Tapco	AK T6™ Stock	Synthetic		10019
Tapco	Mil-Spec Profile AR T6™	Synthetic		10019
Tapco	INTRAFUSE T6 AK-47 Collapsible Stock For Stamped Receiver	Synthetic		10019
Thomp Ctr Arms	Triumph	Synthetic	10804	10031
Thomp Ctr Arms	Triumph Bone Collector	Synthetic	10804	10031
Thomp Ctr Arms	Pro Hunter	Synthetic	10804	10031
Thomp Ctr Arms	Pro Hunter Predator	Synthetic	10804	10031
Thomp Ctr Arms	Pro Hunter FX	Synthetic	10804	10031
Thomp Ctr Arms	Pro Hunter Turkey	Synthetic	10804	10031
Thomp Ctr Arms	Pro Hunter Shotgun Slug	Synthetic	10804	10031
Thomp Ctr Arms	Venture	Synthetic	10804	10031
Thomp Ctr Arms	Encore Pro Hunter	Synthetic	10815	10030
Thomp Ctr Arms	Encore Pro Hunter	Synthetic	10804	10031
Thomp Ctr Arms	Omega ML	Synthetic	10804	10031
Thomp Ctr Arms	Black Diamond	Synthetic	10804	10031
Tikka	T3X	Synthetic	10826	
Tikka T3 Lite	T3 Lite Adjustable	Synthetic	10803	10011
Tikka T3	Battue Lite Rifle 30.06, 9.3x62	Synthetic	10803	10011
Weatherby	PA-08 12ga	Synthetic	10807	10111
Weatherby	Vanguard 243 & Vanguard Series II	Synthetic	10815	10030
Winchester	Model 1300	Synthetic		10301
Winchester	Model 70 Super Shadow – 4 ¾"	Synthetic	10816	10601

WOOD STOCKS

**Precision fit recoil pads are intended for flat butt stocks only.
ALL PADS UNLESS SPECIFIED ARE APPROX. 1" IN THICKNESS**

MANUFACTURER	MODEL	STOCK	AIR-TECH	CLASSIC
Benelli	Super Black Eagle 12ga	Wood	10810	10401
Benelli	20ga Ultralight Satin Walnut with WeatherCoat™	Wood	10810	10401
Beretta	A300 Outlander	Wood	10817	10702
Beretta	A400 Excel	Wood	10817	10702
Beretta	690 Sporting W/ Kick Off	Wood	10817	10702
Beretta	692 Sporting W/ Kick Off	Wood	10817	10702
Beretta	Sporting/Competition e.g. DT11-692	Wood	10811	10701
Browning	BPS Upland 20ga	Wood	10815	10030
Browning	BPS Upland 12ga	Wood	10801	10002
Browning	X-Bolt Rifles	Wood	10814	
Browning	AB3 (A-Bolt 3) Rifles	Wood	10814	
Franchi	Alcoine 12 ga & model 48 (Check Templates)	Wood	10800	10001
Mossberg	Mossberg 500 12ga with Wood Stock (Model: 54264)	Wood	10816	10601
Mossberg	100ATR Rifle White Tail Lightening	Wood	10809	10201
Remington	750	Wood	10806	10102
Remington	870 Wing Master (non-Express)	Wood	10806	10102
Remington	870 Police-12/18/20ga	Wood	10806	10102
Remington	1100 G3	Wood	10806	10102
Remington	Model 1187 SP 1992 yr - 35 Whelen	Wood	10806	10102
Remington	1187 12/21-1100 12/30-7 CDL-673 guide gun-700 DM	Wood	10808	10112
Sako	75	Wood	10803	10011
Thomp Ctr Arms	Encore Pro Hunter	Wood	10815	10030
Thomp Ctr Arms	Thunderhawk 50cal	Wood	10806	10102
Thomp Ctr Arms	Omega ML	Wood	10815	10030
Thomp Ctr Arms	Black Diamond	Wood	10815	10030
Winchester	Model 12 Heavy Duck 12ga.	Wood	10808	10112

CLASSIC GRIND-TO-FIT: (Flat butt stocks only. Approx. 1" thick unless otherwise noted.)

SIZE	DIMENSIONS/MEASUREMENTS		CLASSIC
SMALL	4 13/16" X 1 27/32"		10541
	Grindable To: 3 7/8" X 1 11/32"		
MEDIUM PLUS SPEED MOUNT	5 1/2" X 1 15/16"		10540
	Grindable To: 3 28/32" X 1 11/32"		
MEDIUM	5 3/32" X 1 13/16"		10542
	Grindable To: 4 1/4" X 1 5/16"		
LARGE	5 9/16" X 2 1/16"		10543
	Grindable To: 4 7/16" X 1 19/32"		
LOW PROFILE	5 1/2" X 1 15/16"	5/8" Thick	10544
	Grindable To: 3 28/32" X 1 11/32"		

NITRO GRIND-TO-FIT: (Flat butt stocks only. 1 1/2" thick) For Safari Grade Calibers or adding L.O.P

SIZE	DIMENSIONS/MEASUREMENTS		CLASSIC
SMALL	4 13/16" X 1 27/32"		10537
	Grindable To: 3 7/8" X 1 11/32"		
MEDIUM	5 3/32" X 1 13/16"		10538
	Grindable To: 4 1/4" X 1 5/16"		
LARGE	5 9/16" X 2 1/16"		10539
	Grindable To: 4 7/16" X 1 19/32"		

TRAP/SKEET GRIND-TO-FIT: (Flat butt stocks only, 1" thick) New Form Fitting Design				
SIZE	DIMENSIONS/MEASUREMENTS			CLASSIC
SMALL	4 13/16" X 1 27/32" Grindable To: 3 7/8" X 1 11/32"			10534
MEDIUM	5 3/32" X 1 13/16" Grindable To: 4 1/4" X 1 5/16"			10535
LARGE	5 9/16" X 2 1/16" Grindable To: 4 7/16" X 1 19/32"			10536
LIMBSAVER SLIP-ON RECOIL PAD: (Universal-, Approx. 1" thick unless otherwise noted.)				
SIZE	DIMENSIONS/MEASUREMENTS		AIR-TECH	CLASSIC
SMALL	4 1/2" X 1 1/2" Up to 4 13/16" X 1 5/8"		10550	10546
SMALL/MEDIUM	4 5/8" X 1 9/16" Up to 5 1/8" X 1 3/4"	1/2" Thick	10549	10545
MEDIUM	4 13/16" X 1 5/8" Up to 5 1/8" X 1 3/4"		10551	10547
LARGE	5 1/8" X 1 3/4" Up to 5 3/8" X 1 7/8"		10552	10548